

DSS-655

55" Ubiquitous Touch Computer with Multi-Touch Screen



Features

- 55" LCD support full HD 1080P
- Built-in Intel Core i5 2.4 GHz mobile processor
- Wide view angle 89/89/89/89°
- Integrated with multi-touch screen (support multiple fingers interactive on Win7)
- Built-in tempered glass to prevent the damage from abnormal behavior
- Support landscape & portrait position
- High flexibility options support UTC peripheral series

Introduction

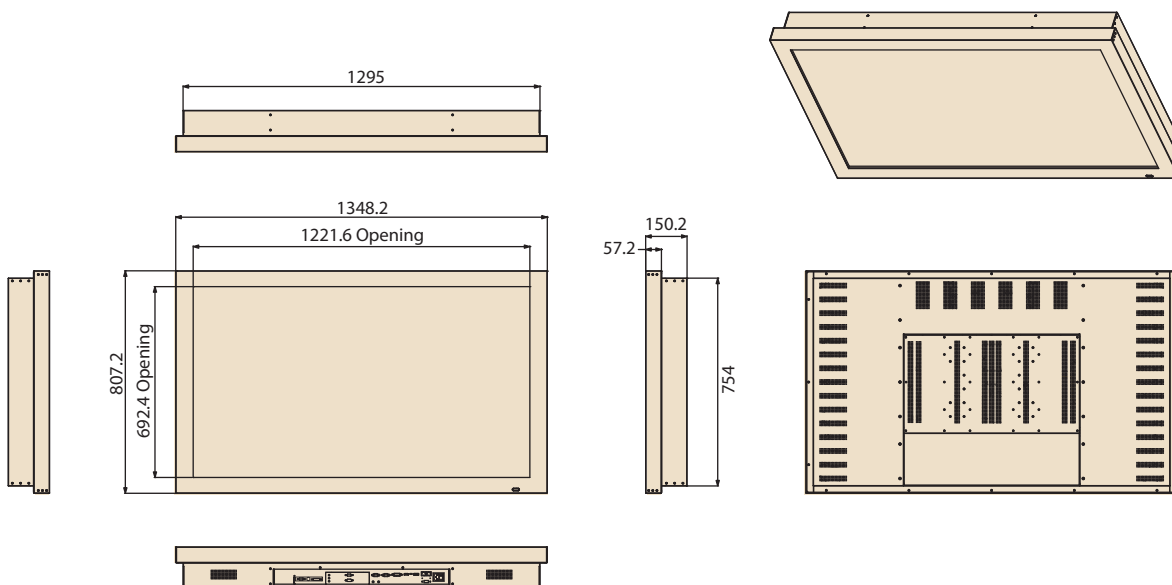
Advantech DSS series is an extraordinary "all-in-one" system designed for interactive public signage/kiosk application. It is a new communication platform to deliver the public or commercial information. It can be used for digital signage and digital out-of-home advertising as well as interactive self-service terminal. In terms of all-in-one system, Advantech DSS-600 series has embedded the industrial PC as the signage computing engine. Furthermore, Advantech It can further integrate wireless module (LAN or WAN), or customized IPC system to deliver dynamic information/ messages to the users.

Specifications

LCD Specification	Screen size	DSS-655 55" (16:9)
	Active display area (mm)	1209.6 (H) x680.4 (V)
	Pixel pitch (mm)	0.63 mm
	Max. resolution	1920 x 1080 FHD
	Contrast ratio	5000:1 (typ.)
	Display color	1.073 Billion
	Brightness (CD/m ²)	450 (typ.)
	Viewing angles (CR≥10)	-89-89 (H); -89-89 (V)
	Synchronization range Horizontal/ Vertical (60Hz)	45.76-50.96 KHz/ 58-62 Hz
	Protection	Tempered glass built-in (4mm, UL-1950)
Touch screen	Type	Optical Multi-Touch (multi-touch function should be under Win7)
	Resolution	32768 x 32768
	Light transmission	>92%
	OS support	Win XPP/XPE/7 (Linux, MAC driver ready)
	Response speed	16 ms (two-point touch)
Touch accuracy	+/-2mm over 90% of the touch sensitive area	
Computing System	CPU	Intel® Core™ i5 Mobile Processor
	Chipset	Intel QM57
	L2 cache	3M
	BIOS	AMI EFI 64 Mbit SPI
	Front side bus	800 MHz
	Expansion slot	Mini-PCIe x 1 PCIe x16 x1
Memory	Technology	DDR3 800/1066 MHz SDRAM
	Max. capacity	8 GB
	Socket	2x 204 PIN DDR3 Socket
I/O ports	Series	2 x RS-232
	LAN	2 x Ethernet
	HDD	2 x SATA
	Audio	3 (Mic-in, Line-out, Line-in)
	P/S 2	2 (1 x keyboard and 1 x mouse)
	USB	USB x 4 (USB x 1 pre-install tool)
Power	Power consumption	Under 570 watts (whole system)
	Power source	AC 100-240 V, Iniversal +/- 10%
	Power switch	Power switch/Remote Controller for turn on/off both IPC & Touch Monitor

Dimensions

Unit: mm



Ordering Information

P/N	Description
DSS-655-TE	55" all in one signage display with Multi-Touch screen, Intel Core i5 CPU, 4G RAM

Optional Modules

P/N	Description
UTC-P01-A0E	2.M camera module for UTC-500 series
UTC-P02-A0E	Magnetic stripe reader For UTC-500
UTC-P03-A0E	RFID reader for UTC-500
UTC-P06-A0E	Smart card reader for UTC-500
1702002605	Power cord 90D 220V EUROPEAN 250V/6A, 1.8M
1702002600	Power cord UL/CSA (USA) 180D 125V/10A 1.83M
96RI-1U-PE16-MR	MEGA RAID RISER CARD 1U PCIE X16 (G)
XCHS-ENGT430-1GD3	ASUS ENGT430/DI/1GD3 Display adapter