

# ACE-840A/841AP-S ACE-850AP

400W PS/2 Type ATX Power Supply

500W PS/2 Type ATX Power Supply

For P4 System



ACE-841AP-S



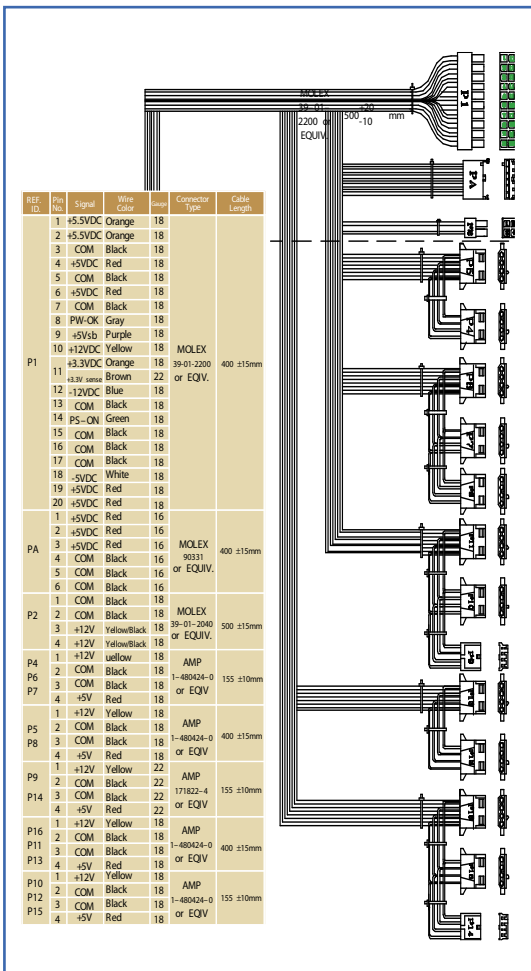
ACE-840A



ACE-850AP

- ◆ High efficiency
- ◆ Short circuit protection on all outputs
- ◆ Extra P10 (+5V) Connector for most high-power requirement
- ◆ Built-in ball bearing cooling fan

## Power Connector (ACE-850AP)



## SPECIFICATIONS



- ◆ Input : 95V AC~264V AC Full range (ACE-850AP)  
95V AC~132V AC, 180~264V AC Switch (ACE-840A)  
90V AC~264V AC Full range (ACE-841AP-S)
- ◆ Output Rating:

### ACE-840A

	Regulation	Ripple/Noise	Min.	Max.
+3.3V	+/-5%	50mV	0.3A	28A
+5V	+/-5%	50mV	0.1A	40A
+12V	+/-5%	120mV	0A	15A
-5V	+/-5%	100mV	0A	0.3A
-12V	+/-5%	100mV	0A	0.8A
+5VSB	+/-5%	50mV	0A	2A

Total Output of +3.3V and +5V shall not exceed 235W. +3.3V, +5V, and +12V total output power max. is 380W

### ACE-841AP-S

Nominal	Regulation	Ripple/Noise	Min.	Max.
+3.3V	+/-5%	50mV	0.2A	28A
+5V	+/-5%	80mV	4A	33A
+12V	+/-6%	120mV	0.5A	20A
-5V	+/-5%	120mV	0A	0.5A
-12V	+/-5%	120mV	0A	1A
+5VSB	+/-5%	50mV	0A	2A

Total Output of +3.3V and +5V shall not exceed 200W. +3.3V, +5V, and +12V total output power max. is 380W

### ACE-850AP

Nominal	Regulation	Ripple/Noise	Min.	Max.
+3.3V	-4% +5%	50mV	0.4A	27A
+5V	-4% +5%	50mV	3A	29A
+12V CPU	-4% +5%	120mV	1A	18A
+12V I/O	-4% +5%	120mV	1A	18A
-5V	-/+ 10%	120mV	0A	0.3A
-12V	-5% +9%	120mV	0A	0.8A
+5VSB	-4% +5%	50mV	0A	2A

The output of +3.3V and +5V shall not exceed 150W. +3.3V, +5V and +12V total output power maximum is 478W.

- ◆ Hold-up time : 17ms min. (ACE-840A) / 16ms min. (ACE-841AP-S) / 18ms min. (ACE-850AP)
- ◆ Efficiency : 65% typ. (ACE-840A/841AP-S) / 63% typ. (ACE-850AP)
- ◆ Protection : Over Voltage/Load Protection and short circuit protection .
- ◆ TTL signal compatible power good signal .
- ◆ Vibration : 10-55Hz at 2G 3min. period , 30min. along X ,Y and Z axis .
- ◆ Shock : 10G for 11ms once on each X,Y and Z axis .
- ◆ Built-in coolinh fan .
- ◆ M.T.B.F. :Minimum 100000 hours at 25 (ACE-840A/AP / ACE-850AP)
- ◆ Safety : UL 1950, CSA 22.2 level 3(ACE-850AP), TUV EN 60950 (ACE-841AP-S/850AP), meets CE (ACE-841AP-S/850AP).
- ◆ EMI : FCC parts 15 class "B" CISPR 22 level "B" . Active PFC, complies with EN 61000-3-2
- ◆ EMS : EN 50082-1 (1997) IMMUNITY STANDARD .
- ◆ Operating temperature : 0~50°C
- ◆ Storage temperature : -20~80°C
- ◆ Power Connectors :

	ACE-840A/841AP-S	ACE-850AP
20pin ATX	1	1
4pin ATX-12V	1	1
Extra +5V (P10)	1	1
HDD or CD-ROM	8/5	11
Floppy	2	2

## ORDERING INFORMATION

- ACE-840A 400W ATX Power Supply
- ACE-841A-S 400W ATX Power Supply with PFC function & on/off switch
- ACE-850AP 500W ATX Power Supply with PFC function