

# PPC-1210/1212

## 12.1" TFT LCD Panel PC

LCD



Aluminum front panel is available for a harsh environment. Plastic front panel provides a light and economical solution.



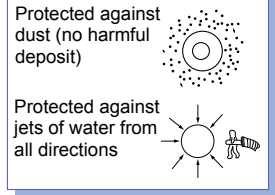
**Slim Design!**

only 71.5mm

**DC Input Power Adaptor Ready!!**



PSU-890X DC Power Adaptor



Protected against dust (no harmful deposit)

Protected against jets of water from all directions

Front Panel meets IP65 standard



Optional PCMCIA Module for WLAN Appliance

### SPECIFICATIONS



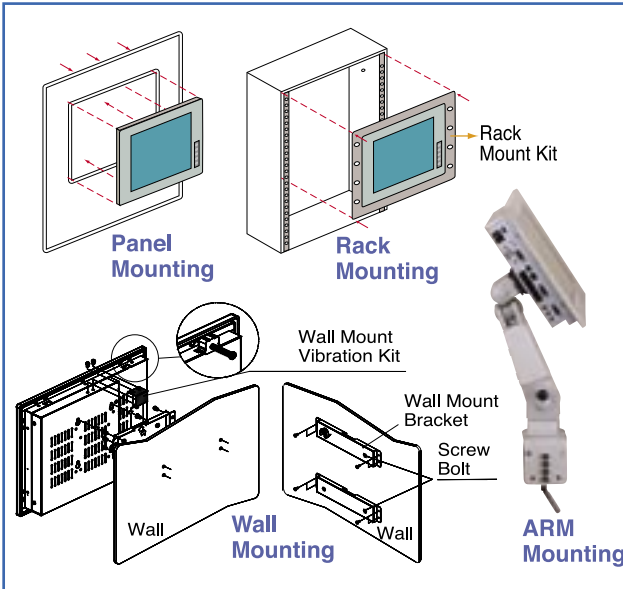
- ◆ Thin Depth (71.5mm) design
- ◆ PPC-1210 equipped with WAFER-5822 (NS GX-1 Embedded Compact Board)  
PPC-1212 equipped with WAFER-6820-733 (Transmeta Crusoe Embedded Compact Board)
- ◆ Aluminum front panel meets IP65 standard
- ◆ 12.1" high brightness TFT LCD.  
Resolution: 800x600  
Brightness: 250 cd/m<sup>2</sup>  
LCD MTBF: 50,000 hrs  
Backlight MTBF: 25,000hrs
- ◆ One 2.5" Internal HDD drive bay
- ◆ Standard equipped with one external power adapter (+5V: 4A and +12V: 1.5A)
- ◆ Optional DC input power adapter PSU-890 series
- ◆ Support Panel/Arm/Wall/Rack Mounting feature
- ◆ I/O: 1x LAN; 2x RS-232; 2 x USB ; 1x VGA ; 1x PS/2 and 1x Audio (IN/OUT/MIC)
- ◆ Operation temperature: 0-50°C
- ◆ Relative Humidity: 5-95%, non-condensing.
- ◆ Vibration:  
5~17 Hz, 0.1" double amplitude displacement  
17~640 Hz, 1.5G acceleration peak to peak.
- ◆ Shock: 10G acceleration peak to peak. (11ms)
- ◆ Color: White (PANTONE 413C)
- ◆ Net/GW: 2/5 (kg)



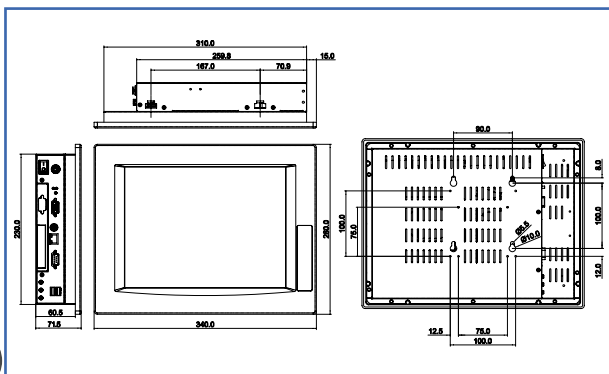
WAFER-5822



WAFER-6820



### Dimensions: PPC-1210/1212



### ORDERING INFORMATION

Model	SBC	Touch Screen	Power Supply
PPC-1210 W - M-R2	WAFER-5822/128	T-R	None (with one external AC input power adaptor)
		T-R, T-C	P (PSU-890P, 110VDC Input)
PPC-1212 W - M-R2	WAFER-6820-733/128	T-R (T-R121B)	T (PSU-890T, 48VDC Input)
		T-C (T-C121)	C (PSU-890C, 24VDC Input)

[M]: Front panel Material Code AL: Aluminum, None: Plastic

#### Option:

- Touch Screen: – T-R121B (12.1" Resistive type touch screen)
- T-C121 (12.1" Capacitive type touch screen, provided with aluminum made front panel only)
- PM-1038 – 2 slot PCMCIA PC/104 module
- RK-121 – Rack mounting kit
- ARM-11 – Flat panel monitor arm

For other colors of front panel and chassis, please contact supplier