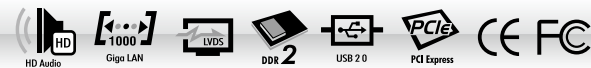


## Features

- Onboard Intel® Atom™ E620/E680 Processor
- Intel® EG20T IOH
- DDR2 667/800 Memory, Max. 2GB
- Gigabit Ethernet
- Up to 24-bit LVDS LCD, SDVO
- High Definition Audio Interface
- SATA 3.0Gb/s x 2 (1), SATA SSD x 1 (Optional), PATA x 1
- USB2.0 x 7 (USB Host x 6, USB Client x 1)
- PCI-Express [x1] x 2
- Compact Module Size, Pin-out Type 2, 95mm x 95mm, COM.0 Rev. 2.0

## Specifications

System	
Form Factor	COM Express compact module, Pin-out Type 2, COM. 0 Rev. 2.0
Processor	Onboard Intel® Atom™ E620/E680 Processor, 0.6GHz ~ 1.6GHz
System Memory	Onboard DDR2 667/800 memory chip, Max. 2GB
I/O Chipset	Intel® EG20T IOH
Ethernet	Realtek RTL8211CL, 10/100/1000Base-TX
TPM	—
BIOS	AMI BIOS SPI type, 2MB ROM
EEPROM	Atmel® AT24C02, save BIOS and configuration data (Optional)
Wake on LAN	Yes
Watchdog Timer	Intel® E620/E680 Processor integrated
H/W Status Monitoring	Supports CPU temperature monitoring
Expansion Interface	4-bit SDIO: Multiplexed with GPIO pins PCI-Express [x1] x 2 LPC bus x 1 SMBus x 1
Power Requirement	+12V
Power Consumption (Typical)	Intel® Atom™ E680 1.6GHz, DDR2 1GB, 0.97A@+12V 0.46A@+5V (w/ECB-916M)
Board Size	3.74" (L) x 3.74" (W) (95mm x 95mm)
Gross Weight	0.55 lb (0.25 Kg)
Operating Temperature	32°F ~ 140°F (0°C ~ 60°C), -40°F ~ 185°F (-40°C ~ 85°C) for WiTAS 2
Storage Temperature	-40°F ~ 176°F (-40°C ~ 80°C)
Operating Humidity	0% ~ 90% Relative Humidity, Non-Condensing
MTBF (Hours)	TBC
Display	
	Supports LVDS/SDVO independent display and Hi-Definition Video 2D/3D Encoder/ Decoder
Chipset	Intel® E620/E680 Processor integrated
Memory	Shared system memory up to 384MB/ DVMT 4.0
Resolution	Up to 1280 x 1024@ 85Hz for SDVO Up to 1280 x 768 @60Hz for LCD LVDS default: 800 x 600 @ 18-bit
LCD Interface	24-bit single channel LVDS
SDVO/ DVO/ Side Port	Supports SDVO x 1
I/O	
Storage	SATA SSD onboard (Master device), Max. 4GB (optional) SATA 3.0Gb/s x 1 (2) PATA x 1
USB	USB2.0 x 7 (USB Host x 6, USB Client x 1)
Audio	High definition audio
GPIO	Up to 4 in and 4 out

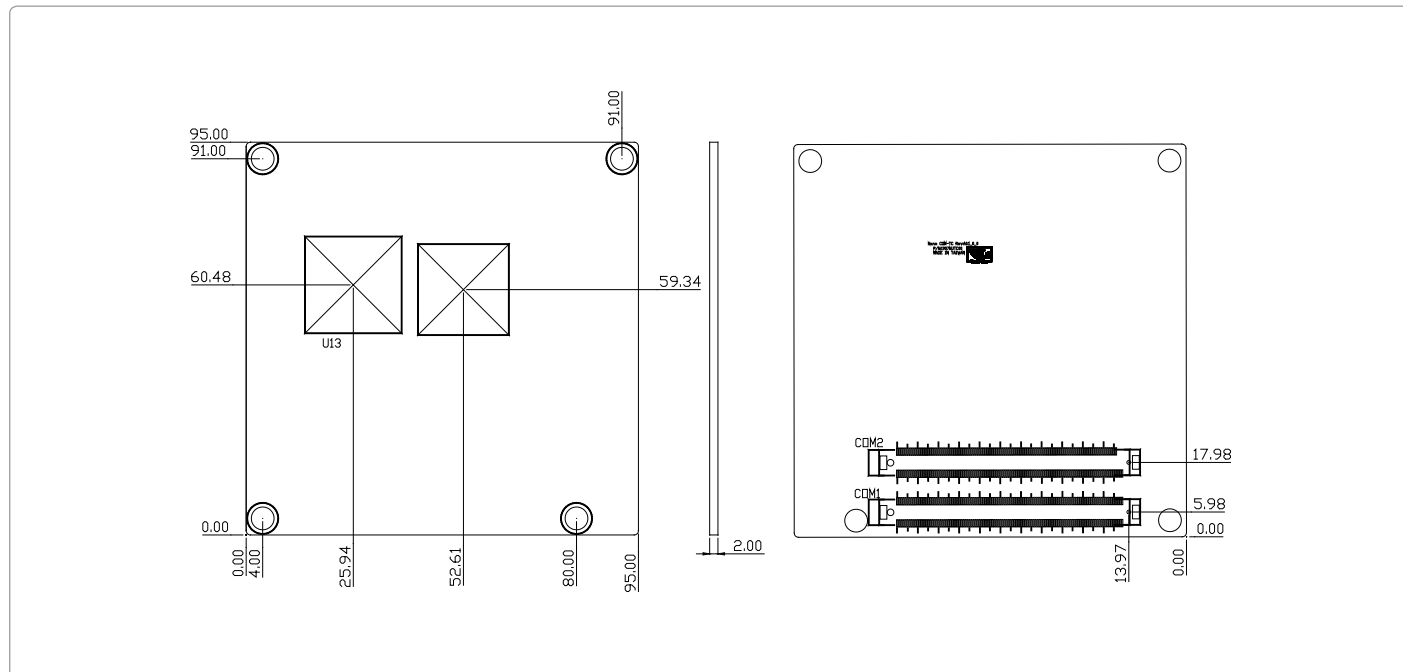


## Packing List

- M2.5 Screw x 4
- Product CD
- COM-TC

## Dimension

Unit: mm



## Ordering Information

Part Number	COM Express Type	CPU	Memory	Display	LVDS	Storage	LAN	USB	URAT	Expansion Slot	Power	Temp
TF-COM-TC-A10	2 (COM.0 Rev.2.0)	Intel® Atom™ E620/0.6G	Onboard 1GB DDR2	LVDS, SDVO	24-bit single channel	SATA2 x 2 PATA x 1	GbE x 1	USB2.0 x 6 USB (Client) x 1	—	PCI-E[1] x 2	12V	0°C – 60°C
TF-COM-TCW2-A10	2 (COM.0 Rev.2.0)	Intel® Atom™ E620T/0.6G	Onboard 1GB DDR2	LVDS, SDVO	24-bit single channel	SATA2 x 2 PATA x 1	GbE x 1	USB2.0 x 6 USB (Client) x 1	—	PCI-E[1] x 2	12V	WITAS 2 -40°C – 85°C
TF-COM-TC-A10-03	2 (COM.0 Rev.2.0)	Intel® Atom™ E680/1.6G	Onboard 1GB DDR2	LVDS, SDVO	24-bit single channel	SATA2 x 2 PATA x 1	GbE x 1	USB2.0 x 6 USB (Client) x 1	—	PCI-E[1] x 2	12V	0°C – 60°C
TF-COM-TCW2-A10-03	2 (COM.0 Rev.2.0)	Intel® Atom™ E680T/1.6G	Onboard 1GB DDR2	LVDS, SDVO	24-bit single channel	SATA2 x 2 PATA x 1	GbE x 1	USB2.0 x 6 USB (Client) x 1	—	PCI-E[1] x 2	12V	WITAS 2 -40°C – 85°C

## Optional Accessories

- TF-ECB-916M-B11**  
 COM Express Carrier Board, microATX, Dual Gigabit Ethernet, 2 COM (Winbond), USB, PCI-Express, AT/ATX, Rev. B1.1
- TF-PER-A110**  
 Passive Heatsink, For COM-TC, Onboard CPU
- TF-PER-A111**  
 Heat Spreader Kit, For COM-TC, Onboard CPU