

# BPC-5019-Q

19" Panel PC with Touch Screen, Core™ Duo, 4 COM, 6 USB, 180W ATX P/S, 1 Expansion Slot

Panel PC



## Features

- » Aluminum front panel design
- » 19" TFT color panel display w/ touch screen
- » Supports Intel® Core™ Duo processor TDP ≤ 34W
- » VGA, DVI, dual Gigabit Ethernet, Audio port
- » 1 x 2.5" SATA HDD space, 1 x slim CD-ROM space
- » 1 x PCI slot
- » 4 x COM port, 6 x USB2.0 port
- » 180W ATX power supply
- » 3 x 4cm ball bearing cooling fan
- » Option for Wireless LAN module

## System

### LCD

Size: 19"  
Max. Resolution: 1280 x 1024 pixels  
Brightness: 300 cd/m<sup>2</sup>  
Contrast Ratio: 800:1  
Max. Color: 16.7M colors  
Pixel Pitch: 0.098 x 0.294 mm  
OSD: Provides OSD function

### Touch Screen

19" resistive

### SBC

HS-1750

### CPU

Intel® Core™ Duo processor T2050 1.6GHz (option)

### System Chipset

Intel® 945GME/ICH7-M

### System Memory

2 x 200-pin SO-DIMM, DDR2 667/533MHz, Max. 4GB

### Display Interface:

1 x D-SUB 15-pin  
1 x DVI

### Audio Interface

Audio jack for MIC In, Line Out, Line In

### Ethernet Interface

2 x RJ-45 for Gigabit Ethernet  
1 x USB wireless LAN module (option)

### Storage

1 x 2.5" SATA HDD space  
1 x slim CD-ROM space

### Expansion Interface

1 x PCI slot

### Watchdog Timer

Software programmable time-out intervals from  
1~255 sec. or 1~255 min.

### H/W Status Monitor

Monitoring temperatures, voltages, and cooling fan status

### Thermal System

3 x 4cm ball bearing cooling fan

### Power

180W ATX power supply

### Operating/Storage Temperature

0~50°C/-20~+70°C

### Certification

FCC/CE Class A compliance  
IP65 front panel protection compliance

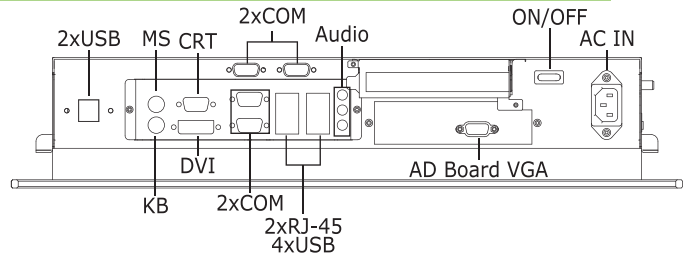
### Dimensions

49.0(L) x 39.0(H) x 9.82(W) cm

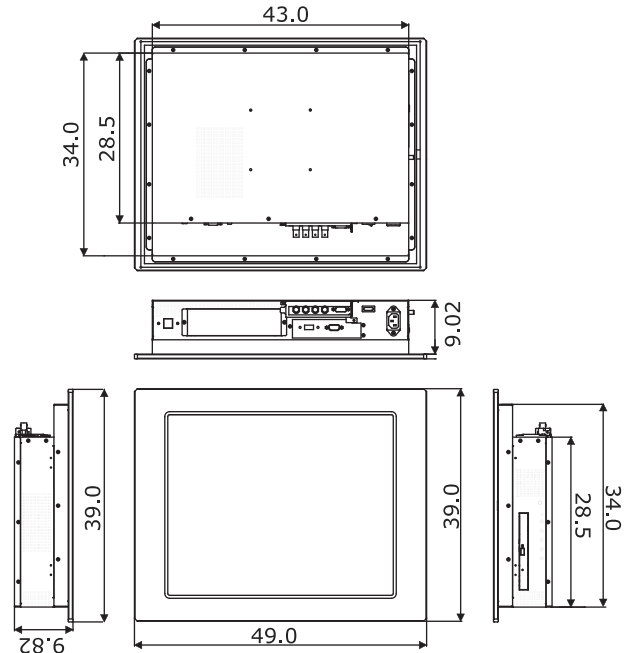
### Cut Out Size

43.4(L) x 34.4(H) cm

## I/O Interface



## Dimensions (unit:cm)



## Ordering Information

### BPC-5019-Q

19" Panel PC w/Touch Screen, 4 COM, 6 USB, 180W ATX P/S

### Accessory Options

Table Top Metal Stand, CPU, Memory Module, Wireless LAN Module, 2.5" SATA HDD, Slim CD-ROM, Riser Card