

INPUT CHARACTERISTICS:

RAH-4300/5300/4400/5400

- VOLTAGE: 90 - 132 VAC / 180 - 260 VAC SWITCHABLE
- FREQUENCY: 47 - 63 Hz
- INPUT CURRENT: 3.0A / 1.5A PER UNIT (PARALLEL), 6.0A / 3.0A (ONE POWER)
- INRUSH CURRENT: 40A MAX. FOR 110 VAC, 80A MAX. FOR 220VAC

OUTPUT CHARACTERISTICS:

OUTPUT VOLTAGE	OUTPUT CURRENT		REGULATION		OUTPUT RIPPLE & NOISE MAX. [P-P]
	MIN. [A]	MAX. [A]	LOAD	LINE	
+5V	7.0	25/7~32*	± 5%	± 1%	50mV
-5V	0	0.5/1.0*	± 11%	± 1%	150mV
+12V	2.5	14/19~24*	± 6%	± 1%	100mV
-12V	0	0.5/1.0	+12%~-10%	± 1%	150mV
+3.3V**	1.0	20	± 5%	± 1%	50mV

* N / N: 300 / 400W

** 3.3V IS OPTIONAL

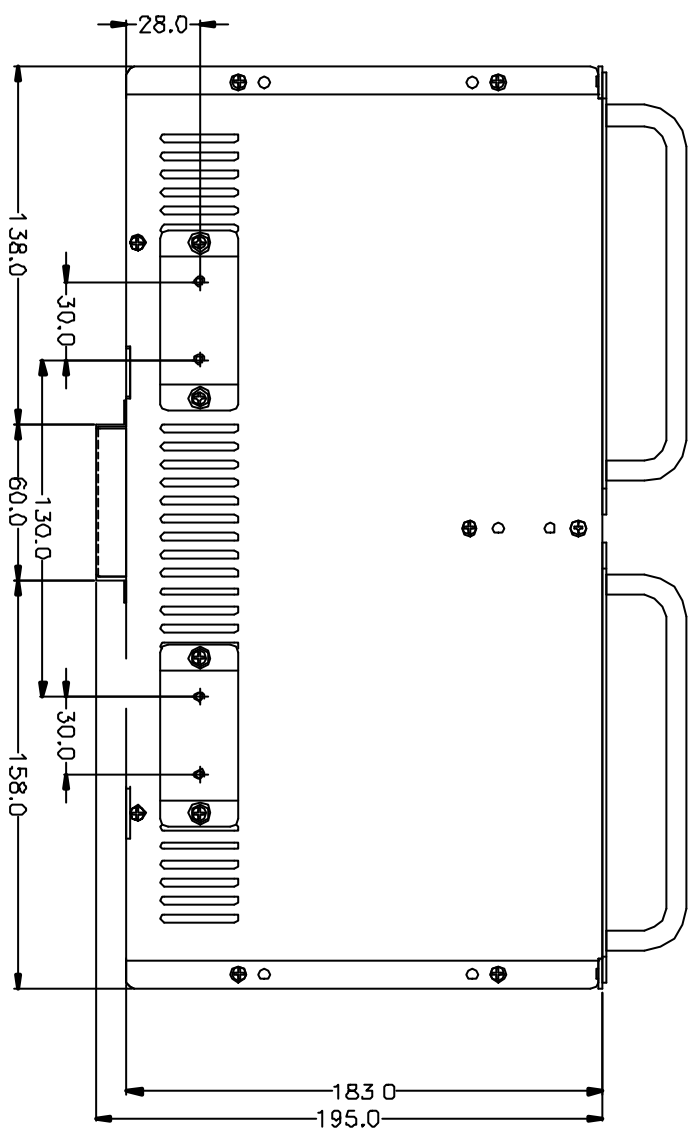
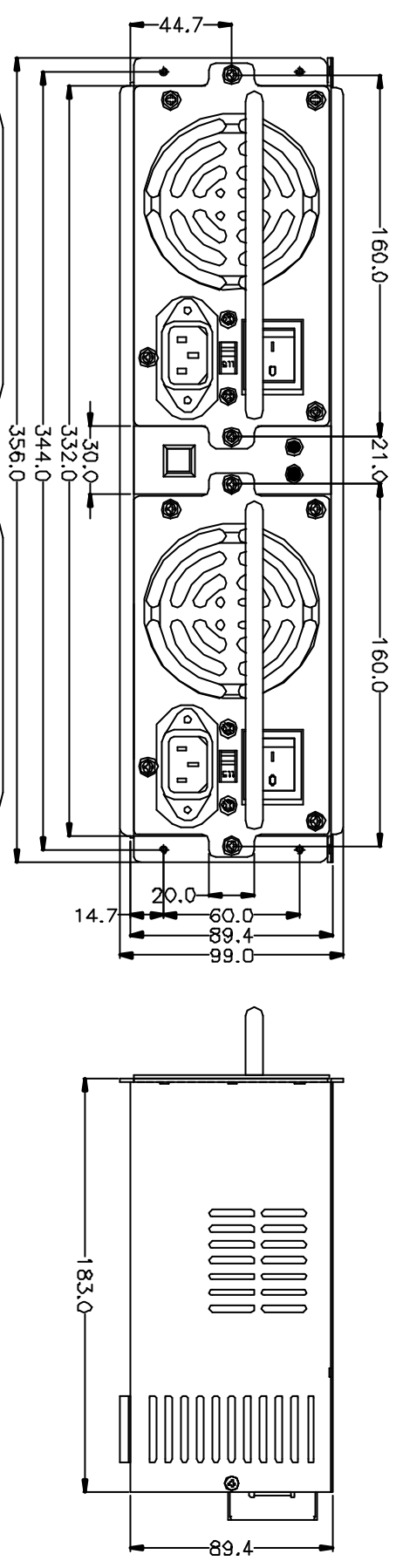
+5V AND +3.3V TOTAL OUTPUT MAX.(FOR 300W): 125W

+5V AND +3.3V TOTAL OUTPUT MAX.(FOR 400W): 180W

SPECIFICATION:

- TEMPERATURE RANGE: OPERATING 0 -- 50 ; STORAGE -20 -- 80
- TRANSIENT RESPONSE: OUTPUT VOLTAGE RETURNS IN LESS THAN 1 ms MAX. FOLLOWING A 50% LOAD CHANGE
- HOLD UP TIME: 16 ms MINIMUM AT FULL LOAD & NORMAL INPUT VOLTAGE
- DIELECTRIC WITHSTAND: INPUT / OUTPUT 1500 VAC FOR 1 SECOND
INPUT TO FRAME GROUND 1500 VAC FOR 1 SECOND
- HUMIDITY: 10 ~ 90% RH
- EFFICIENCY: 60% TYPICAL, AT FULL LOAD
- POWER GOOD SIGNAL: ON DELAY 100 ms TO 500 ms, OFF DELAY 1 ms
- OVER LOAD PROTECTION: 130 ~ 150% MAX.
- OVER VOLTAGE PROTECTION: **+5V → 5.5V ~ 7.0V, 3.3V: 3.8V ~ 4.5V**
- OVER CURRENT PROTECTION: SHORT CIRCUIT
- ALARM METHOD: 1. AUDIO ALARM, 2. FAULT LED, 3. POWER DEFECTIVE SIGNAL
- EMI NOISE FILTER: AC INPUT LINE FILTER FOR FCC CLASS B ON EACH POWRE UNIT ARE AVAILABLE UPON ORDER
- SAFETY: UL / CSA / TÜV APPROVAL
- **HOT-SWAPPABLE / HOT-PLUGGABLE CAPABILITY**
DIMENSION: **195.0 (D) x 356.00 (W) x 99.0 (H)**
- REDUNDANCY: **BALANCE SHARE LOAD METHOD**

圖號 REV.1	圖號 DESCRIPTION	日期 DATE



容許公差:
TOLERANCES:
.XXX ±.025
XX ±.100
X ±.250

投影法:
PROJECTION:
第三角法

材料規格:
MATERIAL:

檢核者: _____
DATE: _____
繪圖者: _____
DATE: _____

新巨企業股份有限公司
ZIPPY TECHNOLOGY CORP.
POWER DIVISION

RAH 外觀尺寸圖

圖號: RAHOMA02
圖號: RAHOMA02
單位: MM
REV. NO: A1
REV. NO: A1
SHEET: 0F