

Features

MAPNET II ZAMs provide an addressable interface to conventional fire alarm zone circuit devices including:**

- Initiating devices (Monitor ZAM)
- Notification appliance circuits (Signal ZAM)
- Control relays (Control ZAM)

These ZAMs are compatible with the following Simplex® fire alarm control panels when equipped with MAPNET II communications:

- 4100/4100U Series fire alarm control panels
- 4100 Series Universal Transponders
- 4120 Series Network node fire alarm control panels
- 4020 Series fire alarm control panels
- 2120 Communicating Device Transponders

MAPNET II communications can be wired:

- NFPA Style 4/Class B or Style 6/Class A
- Style 4/Class B communications may be wired either “T” tapped or In/Out

Convenient DIP switch address selection

UL listed to Standard 864

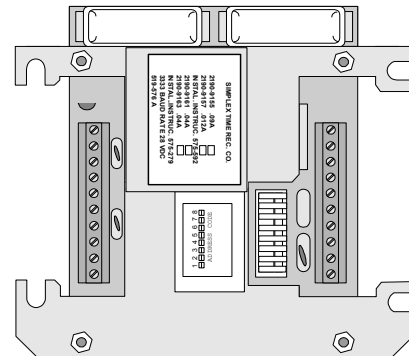
Description

MAPNET II zone adapter modules (ZAMs) provide an addressable interface between conventional zone devices and the host fire alarm control panel.

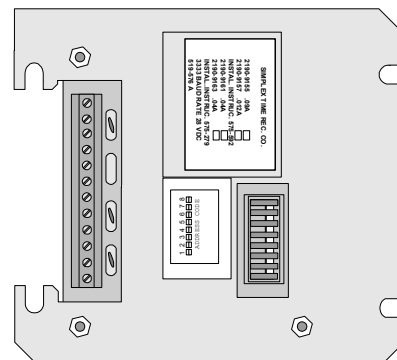
Monitor ZAMs provide status monitoring and supervision of an initiating device circuit (IDC) zone and are used for circuits with non-addressable detectors and for other contact closures such as waterflow and tamper switches or non-addressable manual stations. Different models of Monitor ZAMs are available for two-wire IDCs Class B, or Class A, and for four-wire IDCs with Class B IDC input. Each type required a separate 24 VDC input power from a listed fire alarm power supply.

Signal ZAMs supervise and operate 24 VDC notification appliances, speakers, and telephone circuits. Output capacity is up to 2 A @ 24 VDC, or 50 W of 25 VRMS speakers, or up to three simultaneously activated firefighter phones. The signal ZAM is available for either Style Y/Class B or Style Z/Class A operation for notification appliance circuits.

* This product has been approved by the California State Fire Marshal (CSFM) pursuant to Section 13144.1 of the California Health and Safety Code. See CSFM Listing 7300-0026:182 for allowable values and/or conditions concerning material presented in this document. It is subject to re-examination, revision, and possible cancellation. This product was not ULC listed or approved by MEA (NYC) as of document revision date. Additional listings may be applicable, contact your local Simplex product supplier for the latest status.



Signal/Control ZAM



Monitor ZAM

Description (Continued)

Control ZAMs provide addressable control functions such as elevator capture, HVAC control, pressurization fan control, and damper control. The control relay provides a DPDT contact (contact ratings are shown on page 4).

General Specifications

Communications	Supplied by MAPNET II, 24 to 40 VDC with data
Power	Separate 24 VDC required from listed fire alarm power supply
Wiring Information	Refer to reference diagrams on pages 3 and 4
Wire Connections	Screw terminals for in/out wiring, 18 to 12 AWG wire
Address Means	DIP switch, 8 position
Temperature Range	32° F to 120° F (0° C to 49° C) intended for indoor operation
Humidity Range	Up to 85% RH at 86° F (30° C)

** MAPNET II addressable communications are protected by U.S. Patent No. 4,796,025.

Product Selection

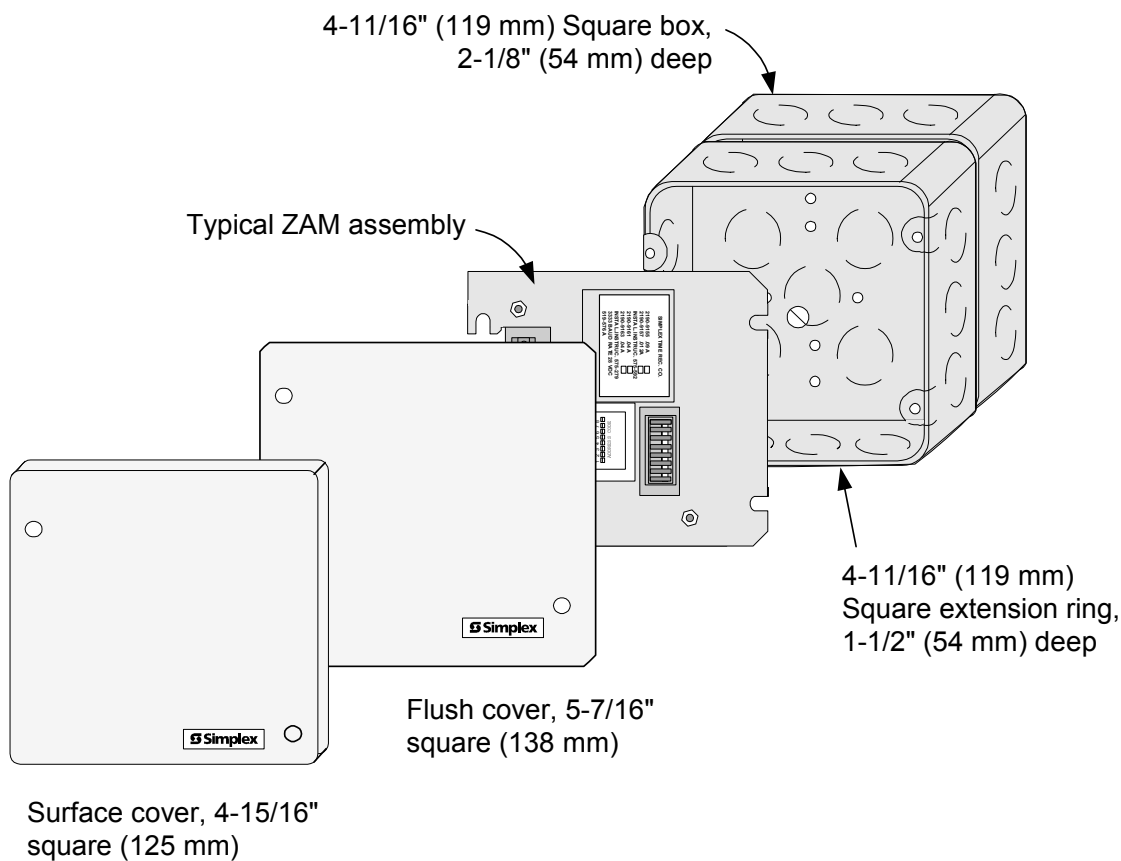
Zone Adapter Modules, Monitor ZAMs (separate 24 VDC power is required)

Model	Cover Type	Description	Supervisory Current	Alarm Current
2190-9153	Surface	Monitor ZAM, Class A (Style D)	20 mA @ 24 VDC	90 mA @ 24 VDC
2190-9154	Flush			
2190-9155	Surface	Monitor ZAM, Class B (Style B)		
2190-9156	Flush			
2190-9157	Surface	4-Wire Detector ZAM, Class B IDC input		
2190-9158	Flush			

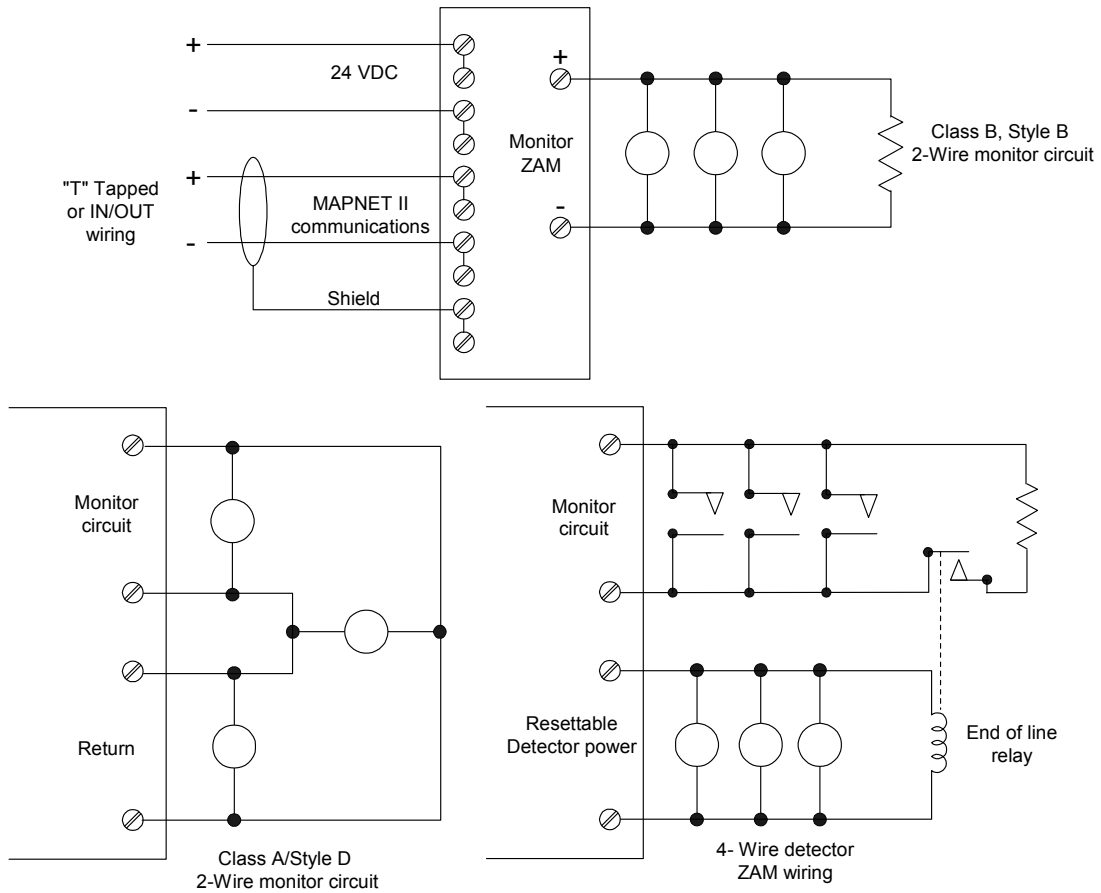
Zone Adapter Modules, Signal and Control ZAMs (separate 24 VDC power is required)

Model	Cover Type	Description	Supervisory Current	Alarm Current
2190-9159	Surface	Signal ZAM, Class A (Style Z)	15 mA @ 24 VDC	65 mA @ 24 VDC
2190-9160	Flush			
2190-9161	Surface	Signal ZAM, Class B (Style Y)	15 mA @ 24 VDC	40 mA @ 24 VDC
2190-9162	Flush			
2190-9163	Surface	Control Relay ZAM, DPDT Contacts	10 mA @ 24 VDC	
2190-9164	Flush			

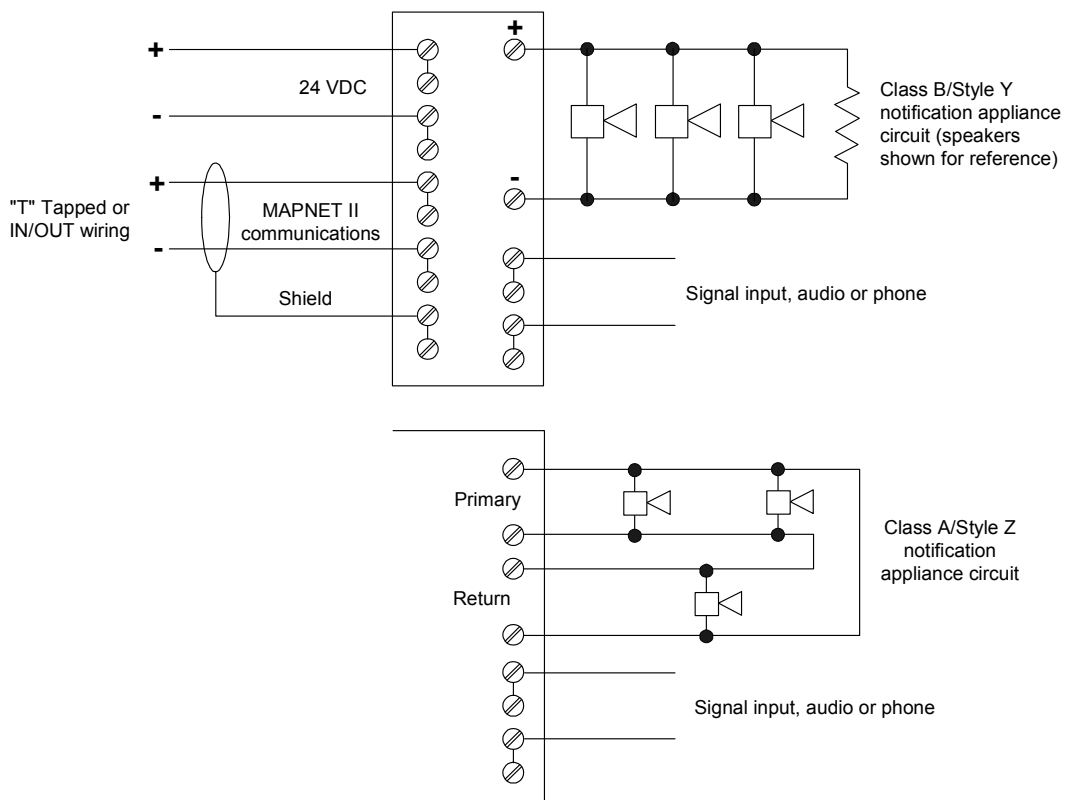
Typical ZAM Mounting



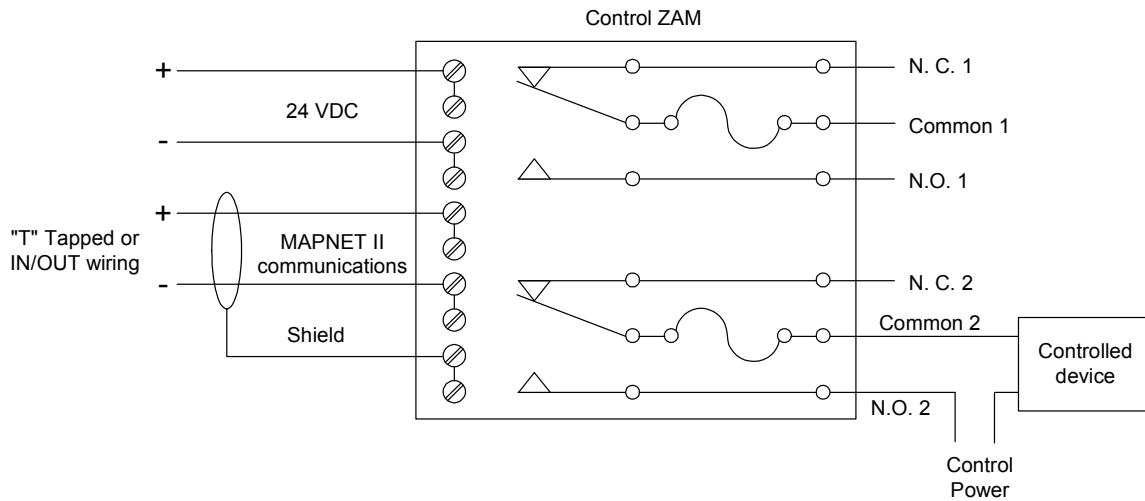
Monitor ZAM Reference Wiring Diagram



Signal ZAM Wiring Reference



Control ZAM Reference Wiring Diagram



Control ZAM Relay Ratings (DPDT Contacts)

Application	Resistive Rating	Inductive Rating**
Power Limited*	2 A @ 28 VDC	1 A @ 28 VDC
Non-Power Limited	2 A @ 28 VDC	1 A @ 28 VDC
	1/2 A @ 120 VAC	1/2 A @ 120 VAC

* DC Voltage must be from a listed Fire Alarm power supply.

** Inductive loads must be properly suppressed.

Tyco, Simplex, the Simplex logo, and MAPNET II are trademarks of Tyco International Services AG or its affiliates in the U.S. and/or other countries.