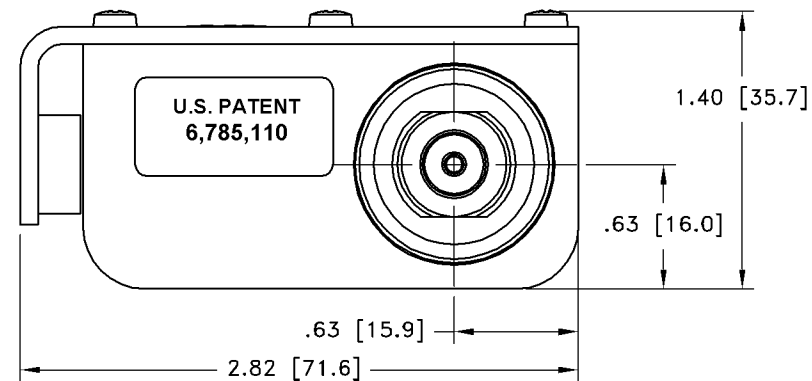
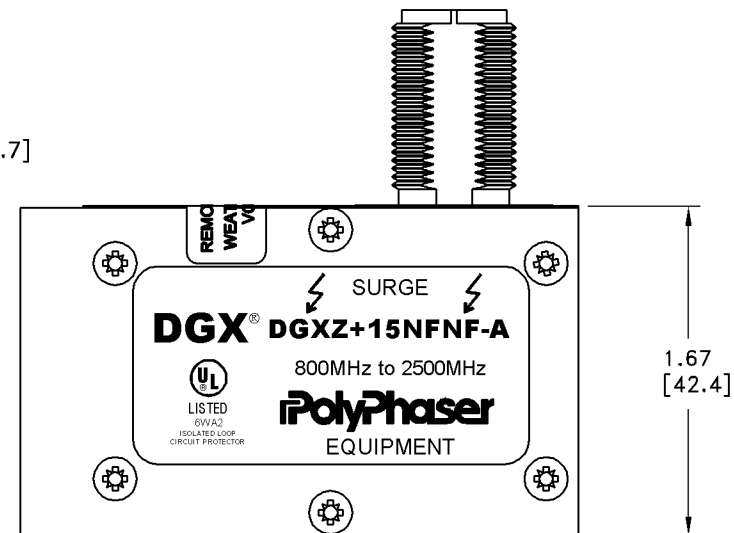
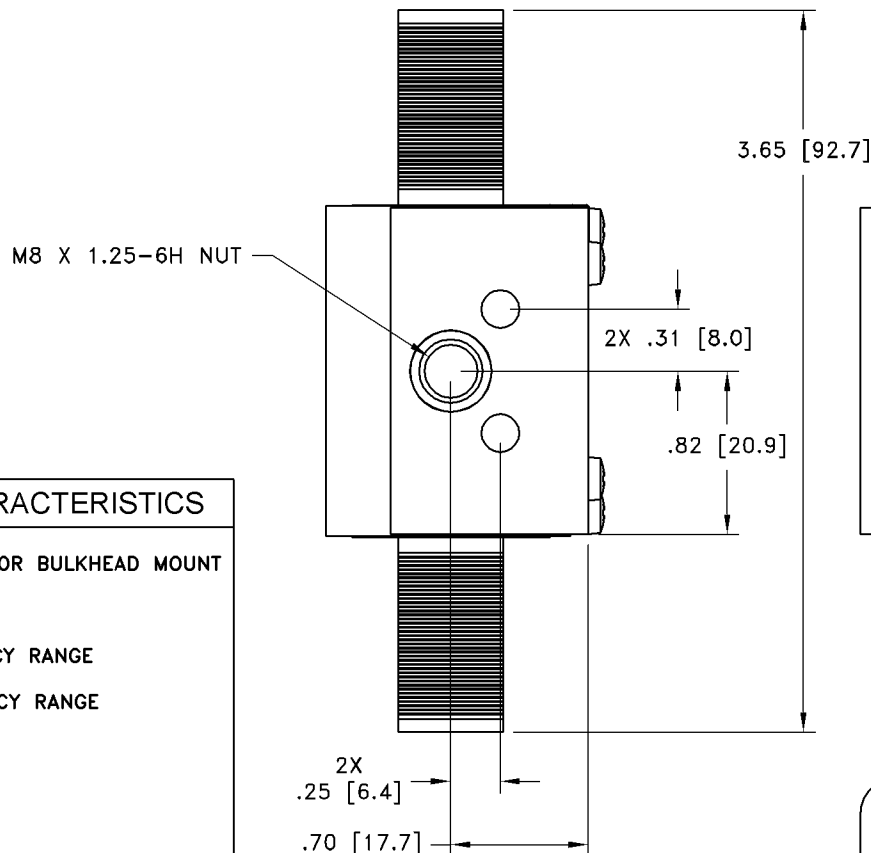


ALL DESIGN, OPERATIVE AND PROCESS DATA PERTAINING TO THE ARTICLE SHOWN ON THIS SHEET IS THE PROPERTY OF POLYPHASER CORPORATION. THE INFORMATION IS NOT TO BE COPIED, REPRODUCED, REVEALED TO OR APPROPRIATED BY OTHERS WITHOUT THE EXPRESS WRITTEN CONSENT OF POLYPHASER CORPORATION.

REVISIONS				
REV LTR	DATE	ENG	MKTG	Q.A.
G	05/17/07	CM KB	CP	RM



CUSTOMER APPROVAL: _____ DATE: _____
 ALL DIMENSIONS SHOWN ABOVE ARE FOR REFERENCE ONLY.

MAXIMUM CHARACTERISTICS

APPLICATION:
 WEATHERIZED, FLANGE OR BULKHEAD MOUNT
 FREQUENCY RANGE:
 800MHz TO 2500MHz
 VSWR:
 ≤1.1:1 OVER FREQUENCY RANGE
 INSERTION LOSS:
 ≤0.1dB OVER FREQUENCY RANGE
 POWER:
 300Wrms AVERAGE
 TURN ON:
 +16.5Vdc
 TURN ON TIME:
 4ns FOR 2kV/ns
 MAX. SURGE:
 20kA IEC 61000-4-5 8/20μs WAVEFORM
 THROUGHPUT ENERGY:
 ≤500μJ FOR 3kA, 8/20μs WAVEFORM
 USER VOLTAGE:
 +15Vdc MAX
 USAGE CURRENT:
 ≤4.0A CONTINUOUS
 RELATIVE HUMIDITY:
 TO 95%
 ENVIRONMENTAL:
 MEETS IEC 60529 IP67
 MEETS BELLCORE #TA-NWT-000487
 PROCEDURE 4.11, WIND DRIVEN (120MPH)
 RAIN INTRUSION TEST.
 TEMPERATURE:
 -50°C TO +85°C STORAGE/OPERATING

These commodities or technology are exported from the U.S. in accordance with the Export Administration Regulations. Diversion contrary to U.S. law prohibited.

DRAFTER	DATE
S. HALL	04/09/02
MECH ENGINEER	DATE
R. DUNNING	04/24/02
ELEC ENGINEER	DATE
J. JONES	04/24/02
MARKETING	DATE
P. HEEREN	04/24/02
QUALITY DEPT	DATE
R. MATHEUS	04/24/02

PolyPhaser

P.O. BOX 9000 MINDEN, NV 89423 TEL: 775-782-2511 FAX: 775-782-4476
 DWG NO/PART NO/DESCRIPTION

DGXZ+15NFNF-A
 CUSTOMER PRINT

CAGE CODE	FILE NAME	SCALE	SHEET
61114	-C1	1/1	1 OF 1