

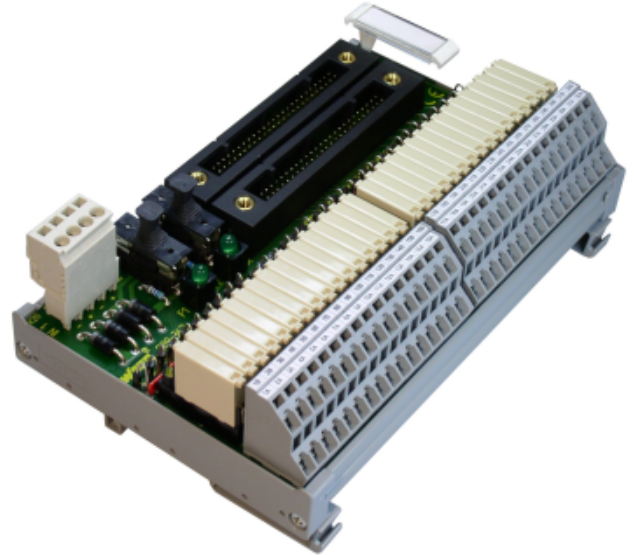
# Interface Module 289-362

**12/08TDOV32SWK5D**

For binary output modules, 32 channels / 64 channels (2 boards necessary)

## Features

- 32 channels
- 50 poles KS connection for AKB331 / AKB337 or YUC50 cable
- CAGE CLAMP® connection for fieldbus signals
- CENTUM CS3000
  - ADV551
  - ADV561



Description	WAGO Item-No.	YOKOGAWA designation	Pack.-unit pcs
Interface module 50 poles, connection with system cable AKB331 / AKB337, YUC50	289-362	12/08TDOV32SWK5D	1

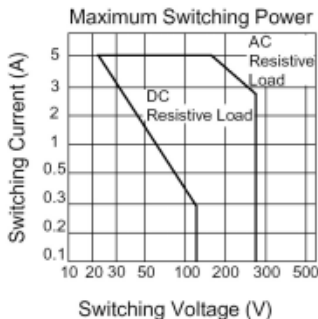
## Description

The data sheet describes the hardware properties of the interface module 12/08TDOV32SWK5D. It allows the connection of binary signals to the CENTUM CS3000 process control system.

The module has 32 channels and it is appropriate for the redundant connection of I/O subassemblies.

For information on circuit layout, please refer to the current documentation of the relevant I/O card.

Load limiting value graph:



## Revision Status (see lateral marking)

„R1“	--01	1. series
„R2“	--02	KS Cover PA66GV25, black

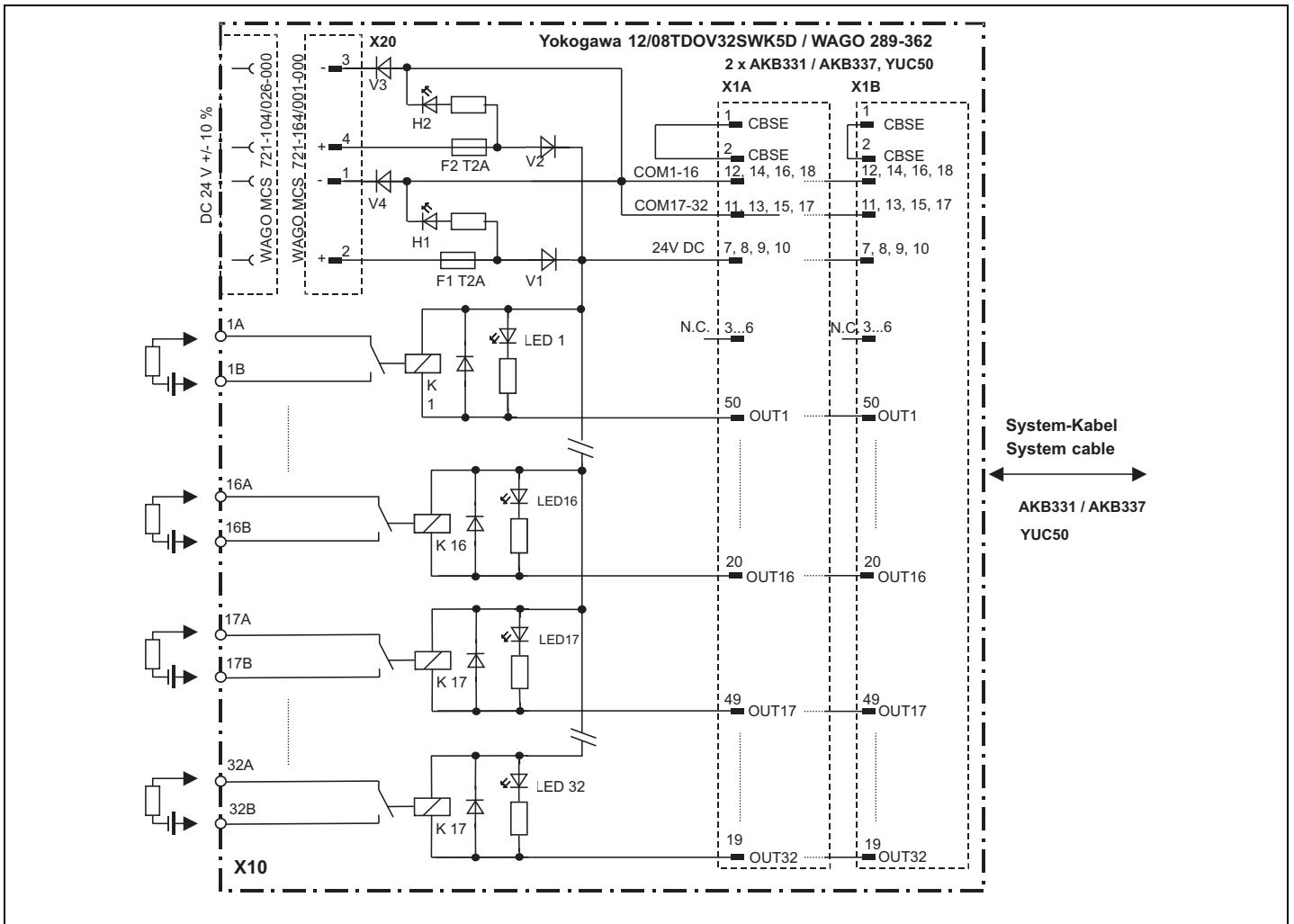
## Technical Data

Voltage supply	DC 24 V ±10 %
Max. current carrying capacity	see load limiting value graph 3 A / AC 250 V (per channel) 3 A / DC 30 V (per channel)
Max. operating voltage	DC 75 V
Max. switching power	750 VA / 90 W
Dielectric strength	
Input-Output	2 kV
Output Contact- Contact	1 kV
Dimensions incl. mounting carrier (LxWxH)	(170x105x48) mm / (6.69x4.13x1.89) in
Wire connection	CAGE CLAMP® (WAGO series 736) 0.08-2.5 mm <sup>2</sup> / AWG 28-12* * AWG 12: THHN, THWN
Stripped length	5-6 mm / 0.22 in
Ambient operating temperature	0 °C ... +50 °C
Storage temperature	-25 °C ... +85 °C
YOKOGAWA system cable	AKB331 / AKB337 / YUC50

**Interface Module 289-362**

For binary output modules, 32 channels / 64 channels (2 boards necessary)

**12/08TDOV32SWK5D**



**Dimensions**

