

CompactPCI 7003

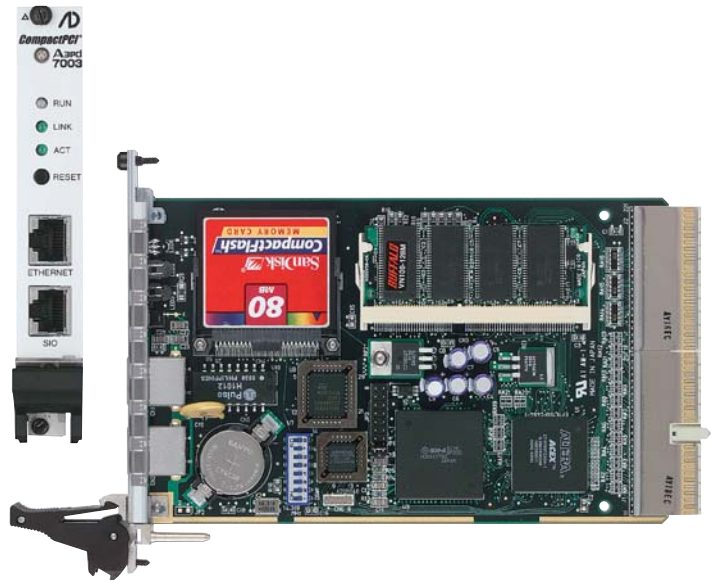
SH-4 CPU Board



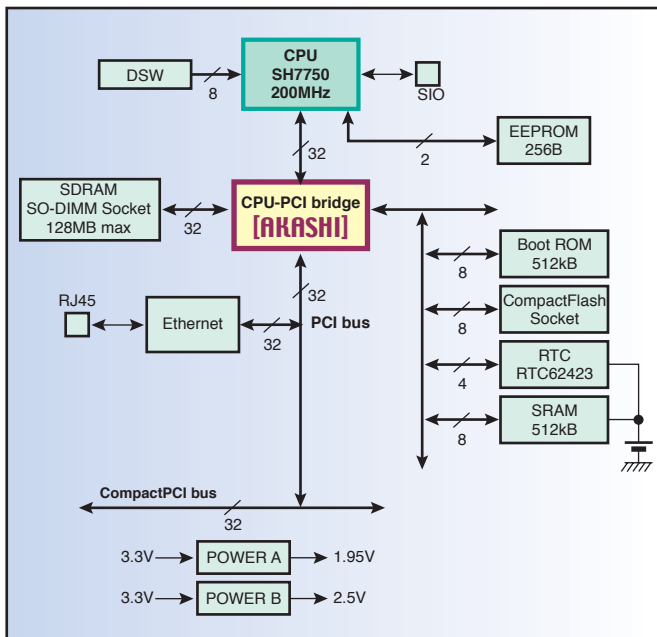
SH-4 CPU Board

Features

- 3U size CompactPCI CPU board with SH-4 (SH7750)
- HotSwap function support and High Availability Platform support
- Up to 128MBytes of onboard SDRAM accessible from PCI bus for dual port RAM
- One RS-232C serial port and 10/100Base-T Ethernet controller
- CompactFlash socket to store application programs and data files
- 512KBytes of SRAM and real-time clock (battery backup)
- T4th boot loader to boot OS and application programs from CompactFlash



Block diagram



Specifications

CPU	SH7750 256-pin BGA 200MHz External clock 66.6MHz/Peripheral clock 33.3MHz
Memory	EPROM 512KBytes 8-bit data (for booting) SRAM 512KBytes 8-bit data (battery backup) SDRAM SO-DIMM socket EEPROM 256Bytes
CompactFlash	3.3V module support
Peripheral	10/100Base-T Ethernet (RJ-45 connector) One RS-232C port[M12] (RJ-45 connector) Real-time Clock EPSON RTC62423 (battery backup) Built-in WDT SH-4 8-bit DSW, One PMC slot
Local bus	SH4-PCI bridge: [AKASHI]
CompactPCI bus	33.3MHz/32-bit, PICMG 2.0 Rev 3.0 compliant, 5V signaling voltage
HotSwap support	High Availability Platform (system slot)
Board size	3U single slot width
Operating temperature range	0 to 60°C
Power requirements	DC3.3V/DC5V

Models

- A3pci7003 :SH-4 CPU board
- A3pci7003-VX :BSP for VxWorks
- * SO-DIMM and CompactFlash are optional in all models.



HUMAN ELECTRONICS

Advantec Inc.

www.advantec.co.jp

Note: The following specifications and product appearance are subject to change for enhancement without notice.



ISO9001
Certification: No.4016-1995-AQ-KOB-RvA



ISO14001
Certification: No. EMSC-1426

Headquarters 616-4, Tanaka, Okayama 700-0951 JAPAN
TEL +81-86-245-2861 FAX +81-86-245-2860
Tokyo Branch 3F, Hayakawa No.3 Building, 2-2Kanda-Tacho, Chiyoda-ku, Tokyo 101-0046 JAPAN
TEL +81-3-5294-1731 FAX +81-3-5294-1734