



Sprite AC - SU2A5 - 028279
 (Family) (Model) (Part Number)

Electrical Specifications

Rated Voltage:	115 VAC
AC Frequency:	60 Hz
Power Supply:	11.0 Watts
Line Current:	0.15 Amps
Locked Rotor Current	0.22 Amps
Nominal Speed:	3250 RPM

Mechanical Specifications

Dimensions:	3.15in x 1.65in
Weight	18.0 oz
Max Airflow @ 0 in H ₂ O	34.0 CFM
Max Pressure @ 0 CFM	0.149 in H ₂ O
Noise	40.3 dBA



Comair Rotron, Inc.
 Phone: 858.348.6200
 sales@comairrotron.com

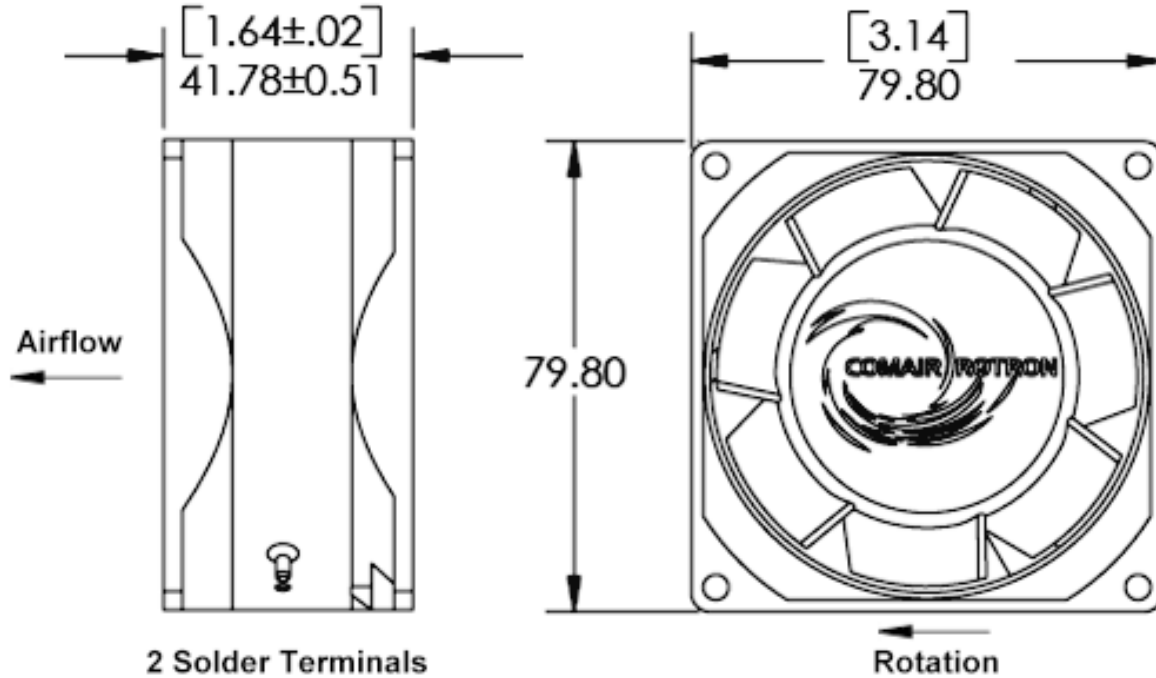
Comair Rotron Europe, Ltd.
 Phone: +44.1527.520525
 saleseurope@comairrotron.com

Comair Rotron Fan Company Ltd.
 Phone: +86.21.52260581
 salesasia@comairrotron.com

Print Date: Monday, February 18, 2008 at 01:46:47 - AC Fan Datasheet - Web Version 1.0 Rev. A



Mechanical Drawing

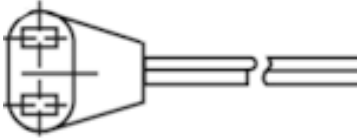


Options

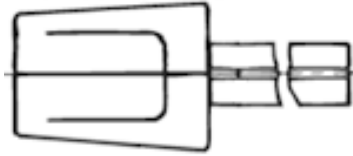
Part Number	Model Number	Bearing Type	Fan Rotation	Termination	In-Stock (Click 'Yes' for current stock)
028268	SU2B1	Ball	Normal	Leads, Venturi	No
028410	SU2B5	Ball	Normal	Terminals, Venturi	No
028267	SU2A1	Sleeve	Normal	Leads, Venturi	No
028279	SU2A5	Sleeve	Normal	Terminals, Venturi	No
030272	SU2A7	Sleeve	Reverse	Leads, Venturi	No
030458	SU2A9	Sleeve	Reverse	Terminals, Venturi	No

Accessories [\(Click on part number for detailed drawing.\)](#)

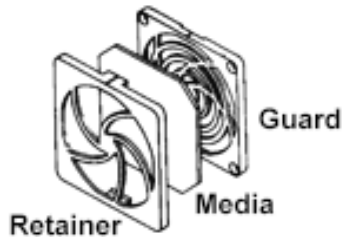
428056
Plug and Cord



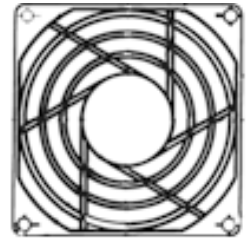
550440
Plug and Cord



554141
Filter Guard Assembly



550648
Finger Guard



476143
Finger Guard



Comair Rotron, Inc.
Phone: 858.348.6200
sales@comairrotron.com

Comair Rotron Europe, Ltd.
Phone: +44.1527.520525
saleseurope@comairrotron.com

Comair Rotron Fan Company Ltd.
Phone: +86.21.52260581
salesasia@comairrotron.com

Print Date: Monday, February 18, 2008 at 01:46:47 - AC Fan Datasheet - Web Version 1.0 Rev. A