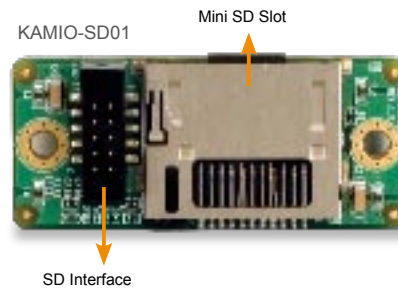
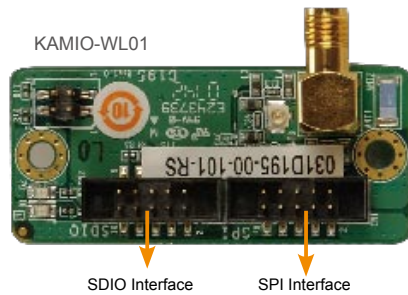


# KAMIO-WL01 / SD01

- *COTS (Commercial off-the-shelf) 802.11b/g wireless LAN module*
- *COTS (Commercial off-the-shelf) Mini SD card reader module*



## Specifications

### KAMIO-WL01

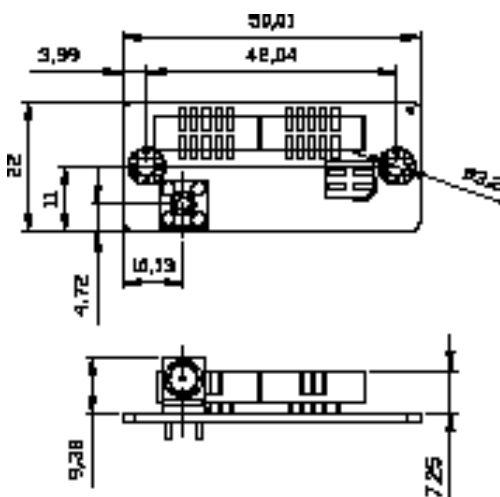
- Compliant with 802.11b and 802.11g standards for 2.4 GHz wireless LAN
- Up to 11 Mbps data transfer rate in 802.11b mode of operation
- Up to 54 Mbps data transfer rate in 802.11g mode of operation
- Connector type: 10-pin 2.0 mm box header
- Antenna: With 100 mm length 2dBi SMA type antenna
- Interface: SPI (Serial Peripheral Interface) or SDIO (Secure Digital Input/Output)
- Chipset: APM 6281
- OS support: Windows® CE 5.0 and Embedded Linux
- Operating voltage: 3.3 V
- Consumption current: < 50 mA
- Operating temperature: 0°C~70°C
- KAMIO integration supports KAMIO-CB01A / CB03 / CB04 / CB05

### KAMIO-SD01

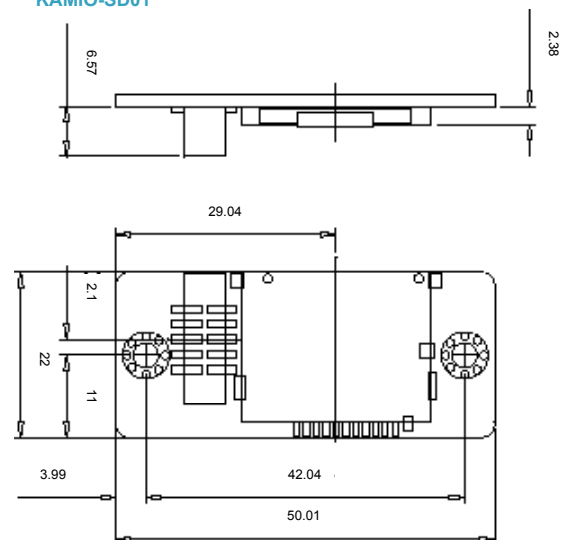
- Support to read Mini SD Card
- Up to 80X data transfer rate
- OS support: Windows® CE 5.0 and Embedded Linux
- Connector type: 10-pin 2.0 mm box header
- Interface: SDIO (Secure Digital Input/Output)
- Operating Voltage: 3.3 V
- Consumption current: < 100 mA
- Operating temperature: 0°C~70°C
- KAMIO integration supports KAMIO-CB01A / CB03 / CB04 / CB05

## Dimensions (Unit : mm)

### KAMIO-WL01



### KAMIO-SD01



## Ordering Information

Part No.	Description
KAMIO-WL01-R20	802.11b/g wireless LAN module
KAMIO-SD01-R10	Mini SD card reader module

## Packing List

KAMIO-WL01	1 x KAMIO-WL01 module card 1 x Connection cable 1 x 100 mm 2dBi SMA type antenna 1 x User manual	KAMIO-SD01	1 x KAMIO-SD01 module card 1 x Connection cable 1 x User manual
------------	---	------------	---