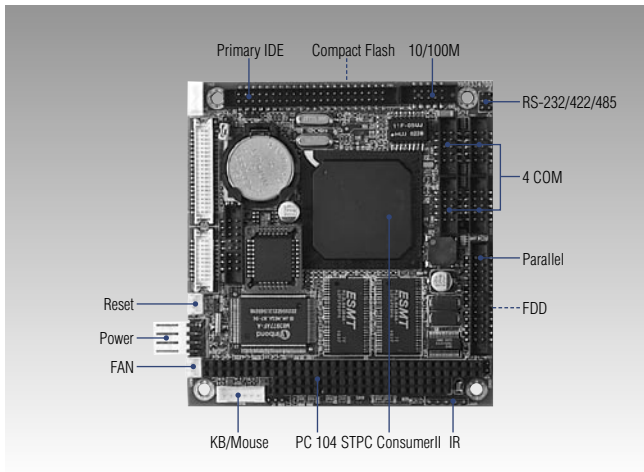


PCM-3348

STPC® Consumer II 133 MHz CPU Module with VGA/LCD, Ethernet & SSD



Features

- Low Power STPC Consumer II 133, Fanless
- Onboard 32 MB SDRAM (64 MB option)
- 4 COM ports
- Superior low power consumption requires no CPU cooling fan.
- 10/100Base-T Ethernet

Specifications

General

- **CPU** Onboard STPC Consumer II 133 MHz
- **System Chipset** STPC Consumer II embedded
- **BIOS** AWARD® 256 KB Flash BIOS
- **System Memory** Onboard SDRAM 32/64 (optional) MB memory
- **SSD** Support CompactFlash® Card
- **Watch Dog Timer** 1 - 62 Sec, System reset or IRQ11
- **Expansion Interface** 1 x PC/104
- **Battery** Lithium 3 V/196 mAH

I/O

- **I/O Interface** 1 x EIDE (44-pin Ultra DMA 33), 1 x K/B, 1 x mouse, 4 x RS-232, 1 x LPT
- **IrDA** 4 Mbps, IrDA 1.1 compliant

Ethernet

- **Chipset** Realtek® RTL8100B
- **Ethernet interface** RJ45
- **Speed** 10/100Base-T
- **Standard** IEEE 802.3, IEEE802.3u

Display

- **Chipset** ST Consumer II
- **Memory Size** System memory
- **Resolution** 1280 x 1024 @ 24 bpp (CRT)

Mechanical and Environmental

- **Dimension (L x W)** 96 x 90 mm (3.8" x 3.5")
- **Weight** 0.103 kg (0.227 lb)
- **Operating Temperature** 0 ~ 60° C (32 ~ 140° F), operation
- **Operating Humidity** 0% ~ 90% relative humidity, non-condensing

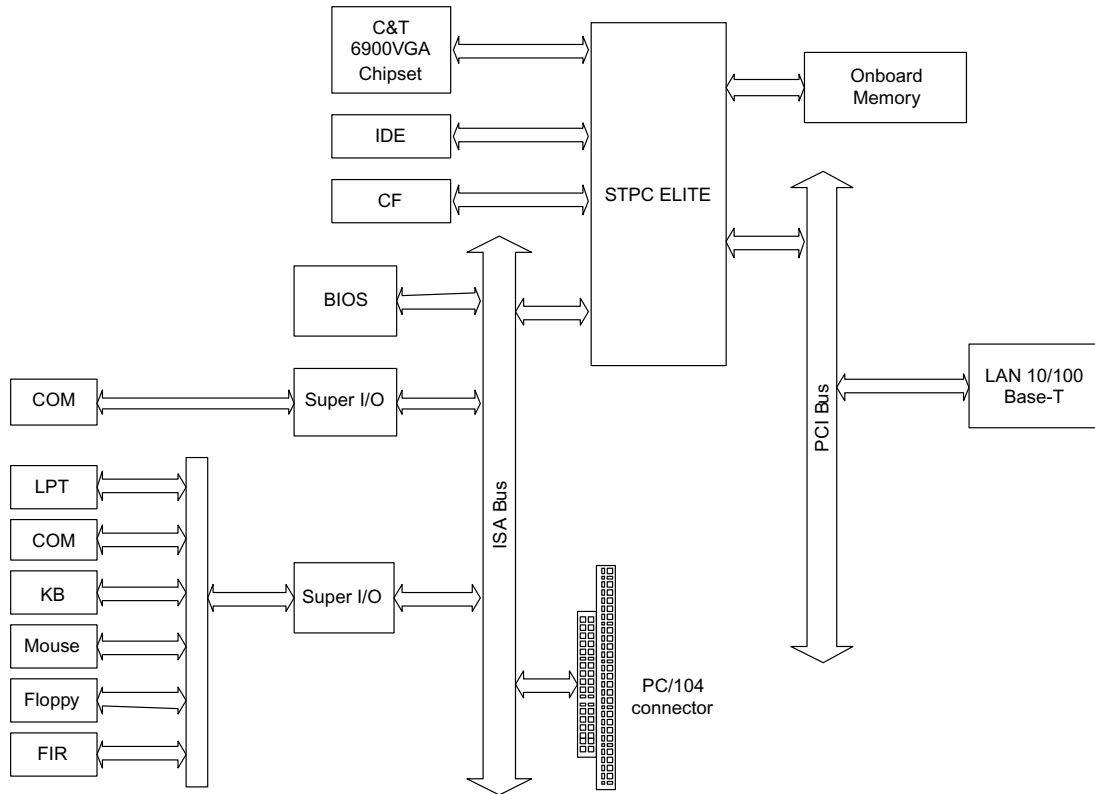
Power

- **Power Consumption** Typical: 5 V @ 1.62
Max: 5 V @ 2 A

Packing List

- 1 x PCM-3348 SBC
- 1 x KB/Mouse Y-Cable EXT Cable (p/n:1703060053)
- 1 x KB/Mouse Y-Cable (2 PS2) (p/n:1700060202)
- 1 x FDD & LAN Adapter (p/n:1906334650)
- 1 x VGA Cable (p/n:1701160150)
- 1 x Ethernet RJ-45 Connector conversion cable (p/n:1701100202)
- 1 x IDE Cable (p/n:1701440350)
- 1 x FDD Cable (p/n:1701340700)
- 1 x COM Port Cable (p/n:1700090301)
- 3 x COM Port Cable (p/n:1700100250)
- 1 x LPT port cable (p/n:1700260250)
- 1 x Start up manual
- 1 x CD-ROM (Manual, Driver, Utility)

Board Diagram



Ordering Information

| Part No. | CPU | On Board Memory | CRT | TTL | 10/100 | RS-232 | LPT | CF | KB/MS | PCI-104 connector | PC/104 connector | Thermal Solution | Operation Temp. |
|----------------|------------------|-----------------|-----|-----|--------|--------|-----|-----|-------|-------------------|------------------|------------------|-----------------|
| PCM-3348F-00A1 | STPC Consumer II | 32 MB | Yes | -- | 1 | 4 | Yes | Yes | Yes | -- | Yes | Passive | 0 ~ 60° C |
| PCM-3348F-01A1 | STPC Consumer II | 64 MB | Yes | -- | 1 | 4 | Yes | Yes | Yes | -- | Yes | Passive | 0 ~ 60° C |

Optional Accessories

- FFC for Slim-FDD 12cm

(p/n:1906000001)