

ENERGIZER CR1216

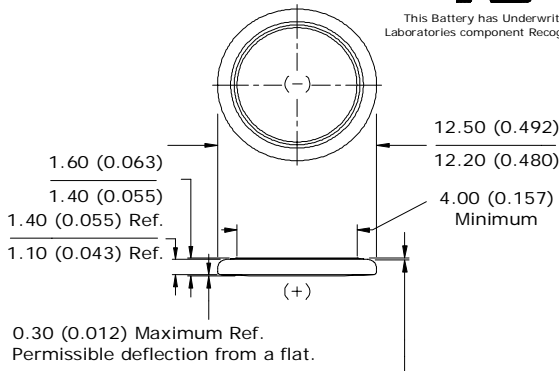


Industry Standard Dimensions

mm (inches)



This Battery has Underwriters Laboratories component Recognition



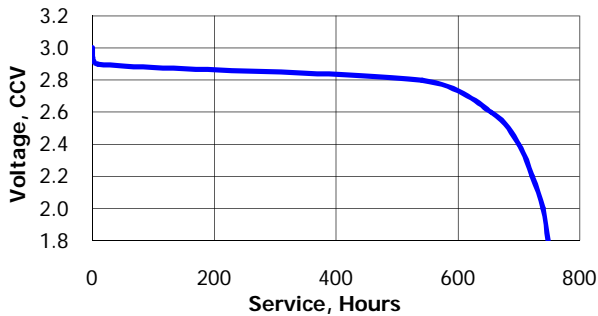
Simulated Application test

Typical Performance at 21°C (70°F)

Schedule:	Typical Drains: at 2.85V (mA)	Load (ohms)	Cutoff 2.0V (hours)
Continuous	0.046	62,000	739

Typical Discharge Characteristics

Load: 62,000 ohms - Continuous
Typical Drain @ 2.85V: 0.046 mA

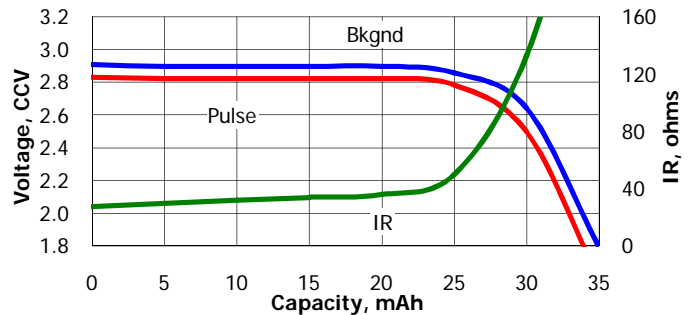


Internal Resistance Characteristics

Pulse Test at 21°C (70°F)

Bkgnd Drain: Continuous
62K ohms
0.046 mA @ 2.85V

Pulse Drain: 2 seconds X 12 times/day
1K ohms
2.8 mA @ 2.8V



Important Notice

This datasheet contains typical information specific to products manufactured at the time of its publication.
© Energizer Holdings, Inc. - Contents herein do not constitute a warranty.

Specifications

Classification: "Lithium Coin"
Chemical System: Lithium / Manganese Dioxide (Li/MnO₂)
Designation: ANSI-5034LC, IEC-CR1216
Nominal Voltage: 3.0 Volts
Typical Capacity: 34 mAh (to 2.0 volts)
 (Rated at 62K ohms at 21°C)
Typical Weight: 0.6 grams (0.02 oz.)
Typical Volume: 0.2 cubic centimeters (0.01 cubic inch)
Max Rev Charge: 1 microampere
Energy Density: 118 milliwatt hr/g, 413 milliwatt hr/cc
Typical Li Content: 0.008 grams (0.0003 oz.)
UL Listed: MH12454
Shipping: For complete details, please reference:
 Global (except US): Special Provision A45 of the International
 Air Transport Association Dangerous
 Goods Regulations
 United States: 49 CFR 173.185

Cross Section

