

Socket

with moulded in cable
pre-assembled

for plugs to DIN 43650

Design B

V-pilot control valves

24 V DC:

Type KMV-1-24-...-LED

with LED and protective circuit

0 to 220 V

Type KMV-1-220-...

for JME- and ME-valves

24 V DC:

Type KME-1-24-...-LED

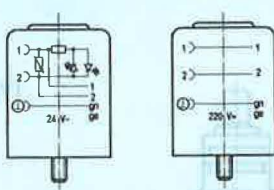
with LED and protective circuit

The sockets can be supplied with a cable of 2.5 m or 5 m length.

The 24 V DC version is proof against incorrect polarity and has a protective circuit against voltage peaks up to 100 V, as well as an operational status display with yellow light emitting diode.

24 V DC

0 to 220 V



for valves

JMZH/MZH/MOZH (Micro-Pneumatic)

JMYH/MYH/MOYH (Mini-Pneumatic)

Type KMY-1-24-0.5

KMYZ-1-24-2.5

KMYZ-1-24-5

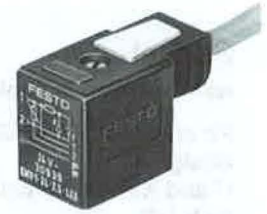
Accessories:

Inscription label,

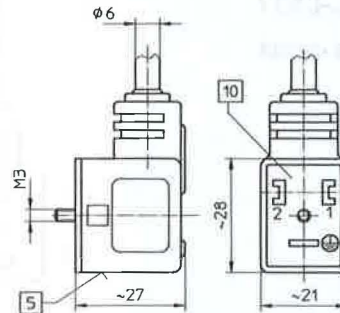
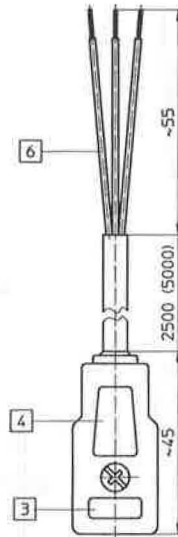
(Spares, sheet of 35)

Order code

33 362 KMC/F/V-BZ-35X



Type KMV



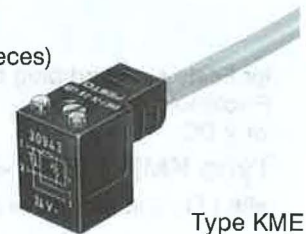
Accessories:

Inscription plates

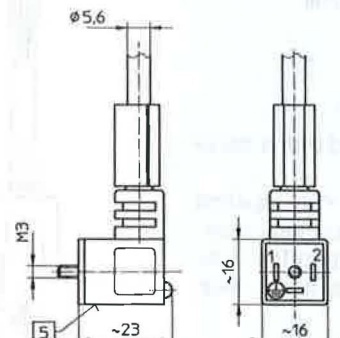
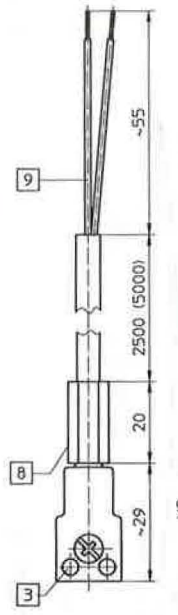
for clipping on cable (10 pieces)

Order code

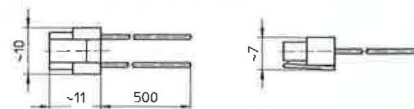
33 361 KME-BZ-10X



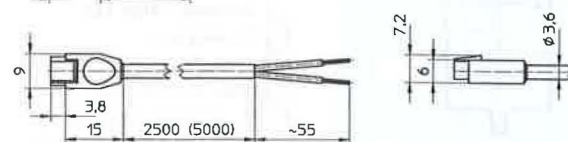
Type KME



- 3 Illuminated area, LED
- 4 Marking area
- 5 Circuit diagram
- 6 Lead, 3 x 0.75 mm²
- 8 Marking tag
- 9 Lead, 2 x 0.75 mm²
- 10 Pin geometry suitable for plugs DIN 43650, design B



Type KMY



Type KMYZ

Order code	cable 0.5 m				34 347
Part No./Type					KMY-1-24-0.5
	cable 2.5 m	30 939	30 940	30 943	30 446
		KMV-1-24-2.5-LED	KMC-1-220-2.5	KMF-1-24-2.5-LED	KMYZ-1-24-2.5
	cable 5 m	30 941	30 942	30 945	30 447
		KMV-1-24-5-LED	KMV-1-220-5	KME-1-24-5-LED	KMYZ-1-24-5
Mounting	Central screw M3				Snap-in
Permissible voltage	24 V DC	0 to 240 V	24 V DC	24 V DC	
Cable connection	3 x 0.75 mm ² 2.5 or 5 m long				2 x 0.3 mm ² , 0.5 m
Temperature range	-20 to +80 °C				
Materials	Housing: Polymer; cable: PVC; contacts: Cu Sn				
Degree of protection to DIN 40050	IP 67 (installed)				IP 40 (installed)
Weights	0.5 m				0.004 kg
	2.5 m	0.165 kg	0.170 kg	0.135 kg	0.070 kg
	5 m	0.320 kg	0.315 kg	0.280 kg	0.155 kg