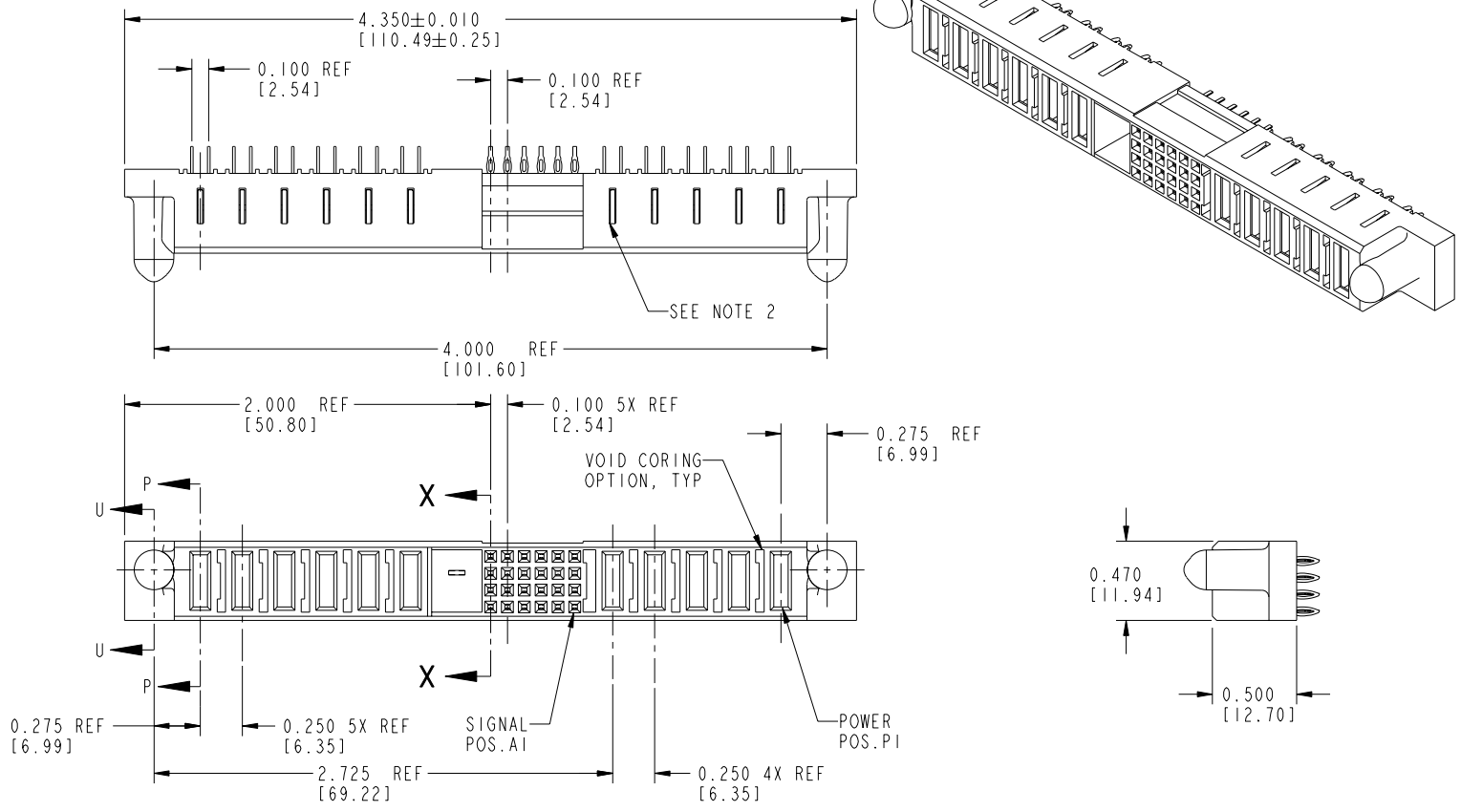


Tous droits strictement réservés. Reproduction ou communication à des tiers interdite sous quelque forme que ce soit sans autorisation écrite du propriétaire. Propriété de c FCI. Droits de reproduction FCI.

All rights strictly reserved. Reproduction or issue to third parties in any form whatever is not permitted without written authority from the proprietor. Property of FCI. Copyright FCI.

PRODUCT NUMBER
51667-XX001--
NOTE: (3)



CONFIDENTIAL

mat'l code				NOTE 1		tolerances unless otherwise specified		CUSTOMER COPY		FCI www.fciconnect.com	
ltr	ecn no.	dr	date	linear	.XX ± .01/.X ± .3	projection	IN/MM	title	5P + 24S + 1M + 6P	product family	PwrBlade
A	V92819	SAR	09-21-99		.XXX ± .005/.XX ± .13	1:1		VERTICAL PRESSFIT RECEPTACLE		code	213
B	V94335	SAR	11-15-99		.XXX ± .0020/.XXX ± .051				size	dwg no	51667
C	V00795	EKK	03-27-00	angles	0° ± 2°				sheet	of	4
D	V01870	CHB	08-03-00	dr	S. ROYER 09-21-99						
E	DG05-0266	CS	08/20/05	enrg	J. BROWN 09-21-99						
F	DG05-0508	CS	11/28/05	chr	J. BROWN 09-21-99						
				appd	J. BROWN 09-21-99						
sheet index	revision sheet	F 1	F 2	F 3	F 4						

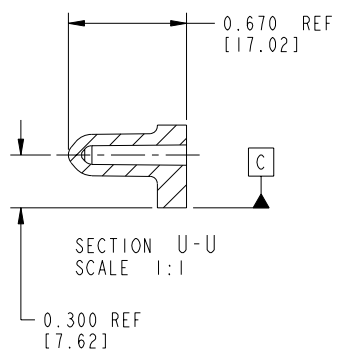
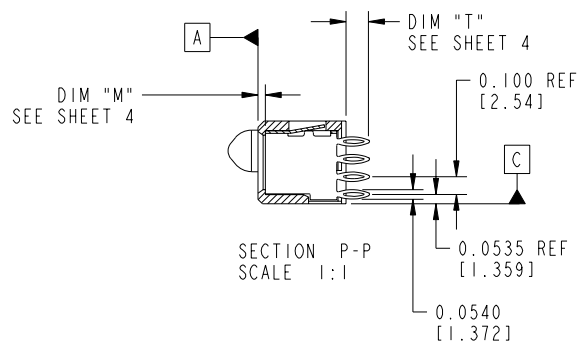
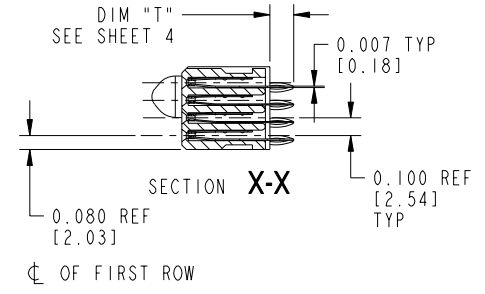
THIS FILE WAS ORIGINALLY CREATED IN THE PRO ENGINEER ENVIRONMENT AND ANY FUTURE REVISIONS TO THIS FILE MUST BE MADE IN THE PRO ENGINEER ENVIRONMENT

cage code 22526 4

Tous droits strictement réservés. Reproduction ou communication à des tiers interdite sous quelque forme que ce soit sans autorisation écrite du propriétaire. Propriété de c FCI. Droits de reproduction FCI.

All rights strictly reserved. Reproduction or issue to third parties in any form whatever is not permitted without written authority from the proprietor. Property of FCI. Copyright FCI.

PRODUCT NUMBER
51667-XX001--
NOTE: ③



CONFIDENTIAL

mat'l code				NOTE 1		tolerances unless otherwise specified		CUSTOMER COPY		 www.fciconnect.com	
ltr	ecn no.	dr	date	linear	.XX ± .01 / .X ± .3	projection	title				
F				angles	.XXX ± .005 / .XX ± .13		5P + 24S + 1M + 6P				
				dr	.XXX ± .0020 / .XXX ± .051	IN/MM	VERTICAL PRESSFIT RECEPTACLE				
				enr	0° ± 2°	scale	product family		code		
				chr	S. ROYER 09-21-99	1:1	PwrBlade		213		
				appd	J. BROWN 09-21-99		size		sheet		
					J. BROWN 09-21-99		51667		2 of 4		
sheet index	revision sheet										

cage code 22526 4

Pro/E

PDM: Rev:F

STATUS: Released

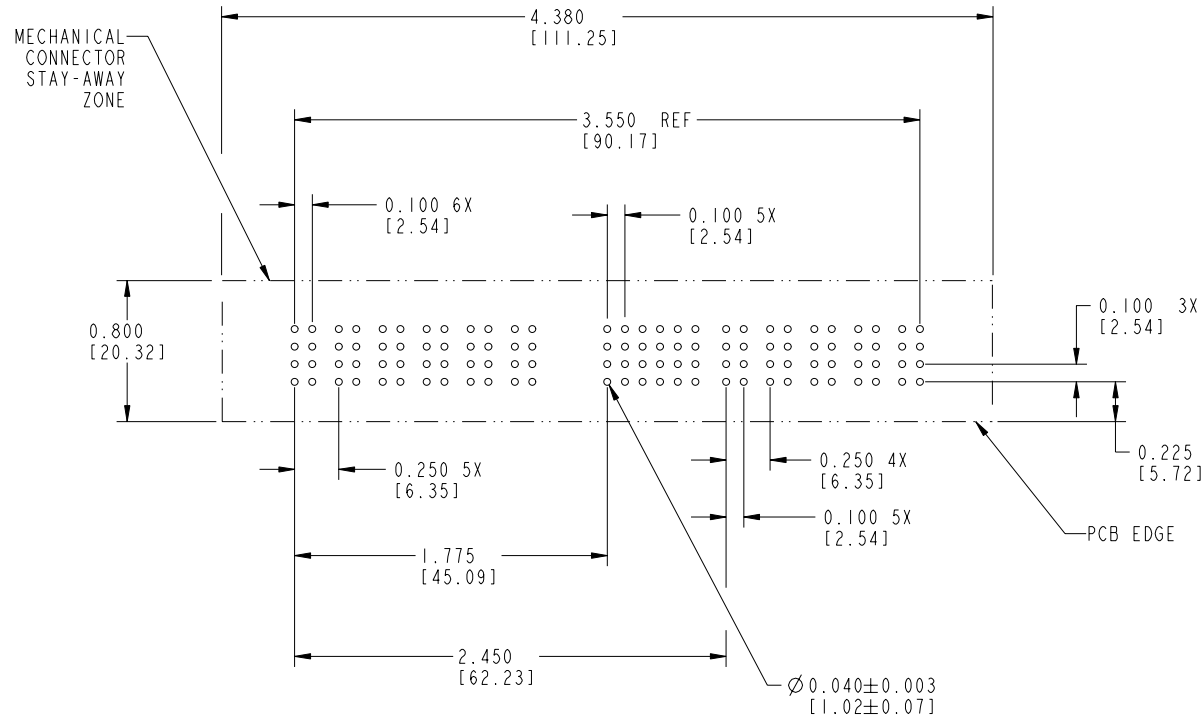
Printed: Dec 13, 2005

Tous droits strictement réservés. Reproduction ou communication a des tiers interdite sous quelque forme que ce soit sans autorisation écrite du propriétaire. Propriété de c FCI. Droits de reproduction FCI.

FCI

All rights strictly reserved. Reproduction or issue to third parties in any form whatever is not permitted without written authority from the proprietor. Property of FCI. Copyright FCI.

PRODUCT NUMBER
51667-XX001--
NOTE: (3)



RECOMMENDED PCB LAYOUT

CONFIDENTIAL

mat'l code				tolerances unless otherwise specified		CUSTOMER COPY		 www.fciconnect.com	
ltr	ecn no.	dr	date	linear	XX ±.01/.X ±.3	projection	title 5P + 24S + 1M + 6P VERTICAL PRESSFIT RECEPTACLE		
F					XXX ±.005/.XX ±.13		product family PwrBlade code 213		
				angles	XXXX ±.0020/.XXX ±.051		size dwg no 51667 sheet 3 of 4		
				dr	0° ± 2°	IN/MM	scale 1:1		
				enr	S. ROYER 09-21-99				
				chr	J. BROWN 09-21-99				
				appd	J. BROWN 09-21-99				
sheet index	revision sheet								

cage code 22526

Pro/E

PDM: Rev:F

STATUS: Released

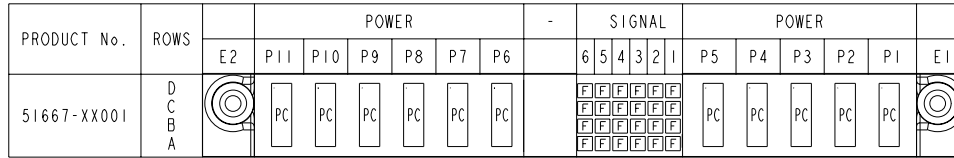
Printed: Dec 13, 2005

Tous droits strictement réservés. Reproduction ou communication a des tiers interdite sous quelque forme que ce soit sans autorisation écrite du propriétaire. Propriété de c FCI. Droits de reproduction FCI.

FCI

All rights strictly reserved. Reproduction or issue to third parties in any form whatever is not permitted without written authority from the proprietor. Property of FCI. Copyright FCI.

PRODUCT NUMBER		1 2		3		4		
51667-XX001-- NOTE: ③		ITEM NO.	QTY	DIM "M" MATING LENGTH ±.010[0.25]	DIM "T" TAIL LENGTH ±.010[0.25]	CONTACT TYPE	PLATING FOR MATING	PLATING FOR TAIL
PC	11	0.042	[1.07]	0.135	[3.43]	POWER	30 u'' [.76um] Au	Sn
F	24	N/A	[N/A]	0.135	[3.43]	SIGNAL	30 u'' [.76um] Au	Sn



CONNECTOR NOTES:

- HOUSING MATERIAL: GLASS FILLED HIGH TEMP THERMOPLASTIC, FLAME RETARDANT PER UL94V-0
SIGNAL CONTACT MATERIAL: COPPER ALLOY
POWER CONTACT MATERIAL: COPPER ALLOY
- MANUFACTURER NAME, P/N, AND DATE CODE TO APPEAR ON THIS SURFACE.
- PLATING:

51667-001 Singal Pin:30u"/0.76um Au OVER 50u"/1.27um Ni ON THE CONTACT AREA,
AND 100u"/2.54um SnPb PLATING OVER 50u"/1.27um Ni ON THE TERMINATION SECTION.
Power Pin:30u"/0.76um Au OVER 50u"/1.27um Ni ON THE CONTACT AREA,
AND 100u"/2.54um SnPb PLATING OVER 50u"/1.27um Ni ON THE TERMINATION SECTION.

51667-001LF Singal Pin:30u"/0.76um Au OVER 50u"/1.27um Ni ON THE CONTACT AREA,
AND 78u"/2.00um Sn PLATING OVER 50u"/1.27um Ni ON THE TERMINATION SECTION.
Power Pin:30u"/0.76um Au OVER 50u"/1.27um Ni ON THE CONTACT AREA,
AND 78u"/2.00um Sn PLATING OVER 50u"/1.27um Ni ON THE TERMINATION SECTION.

PART NUMBER 51667-001LF MEETS EUROPEAN UNION DIRECTIVE AND OTHER COUNTRY REGULATIONS AS DESCRIBED IN GS-22-008.

THE HOUSING WILL WITHSTAND EXPOSURE TO 260° PEAK TEMPERATURE FOR 10 SECONDS IN A WAVE SOLDER APPLICATION WITH A CIRCUIT BOARD.

PCB NOTES:

- ALL DIMENSIONS ARE BASIC UNLESS OTHERWISE SPECIFIED
- ALL THROUGH HOLES ARE LOCATED WITH A TRUE POSITION OF 0.004"
- ALL DIAMETERS ARE FINISHED HOLE SIZES
- Ø 0.0453+ .0010[1.151±0.025] DRILLED HOLES PLATED WITH 0.0003[0.007]MIN. SnPb OVER 0.001[1.03] TO 0.003[0.08]Cu PLATING TO ACHIEVE A 0.040+.003[1.02±.08] HOLE.

CONFIDENTIAL

mat'l code				tolerances unless otherwise specified				CUSTOMER COPY		FCI www.fciconnect.com	
ltr	ecn no.	dr	date	linear	XX ±.01/.X ±.3	projection	title	5P + 24S + 1M + 6P VERTICAL PRESSFIT RECEPTACLE			
F				angles	XXX ±.005/.XX ±.13		product family	PwrBlade	code	213	
				dr	XXXX ±.0020/.XXX ±.051		size	dwg no	sheet	4 of 4	
				enr	0° ± 2°	scale	51667				
				chr	S. ROYER 09-21-99	1:1					
				appd	J. BROWN 09-21-99						
sheet index	revision sheet										

1 | 2

Pro/E

3 |

cage code 22526

4

PDM: Rev:F

STATUS: Released

Printed: Dec 13, 2005