

d¹

design.

d²

develop.

d³

deploy.

Embedded Planet EP440xC



Features:

- **Processor:** AMCC PowerPC 440EPx or 440GRx up to 667MHz
- **RAM:** Up to 256MB DDR2 RAM
- **FLASH:** 32MB NOR Flash and 32MB NAND Flash
- **Ethernet:** 2 x 10/100/1000
- **Serial Ports:** Two RS-232 ports
- **USB:** 2 USB 2.0 Device, 1 USB 2.0 Host with 440EPx processor
- **Expansion:** 2 PCI slots, I2C/SPI header
- **I2C Devices:** Serial EEPROM, Temperature Sensor
- **Power:** 5V wall cube power supply
- **Debug:** JTAG and RISCTrace with Mictor Connectors for Green Hills Super Trace Probe
- **Form Factor:** 5" x 7"

design.

The next generation of connected devices.

develop.

Your products based on our platform.

deploy.

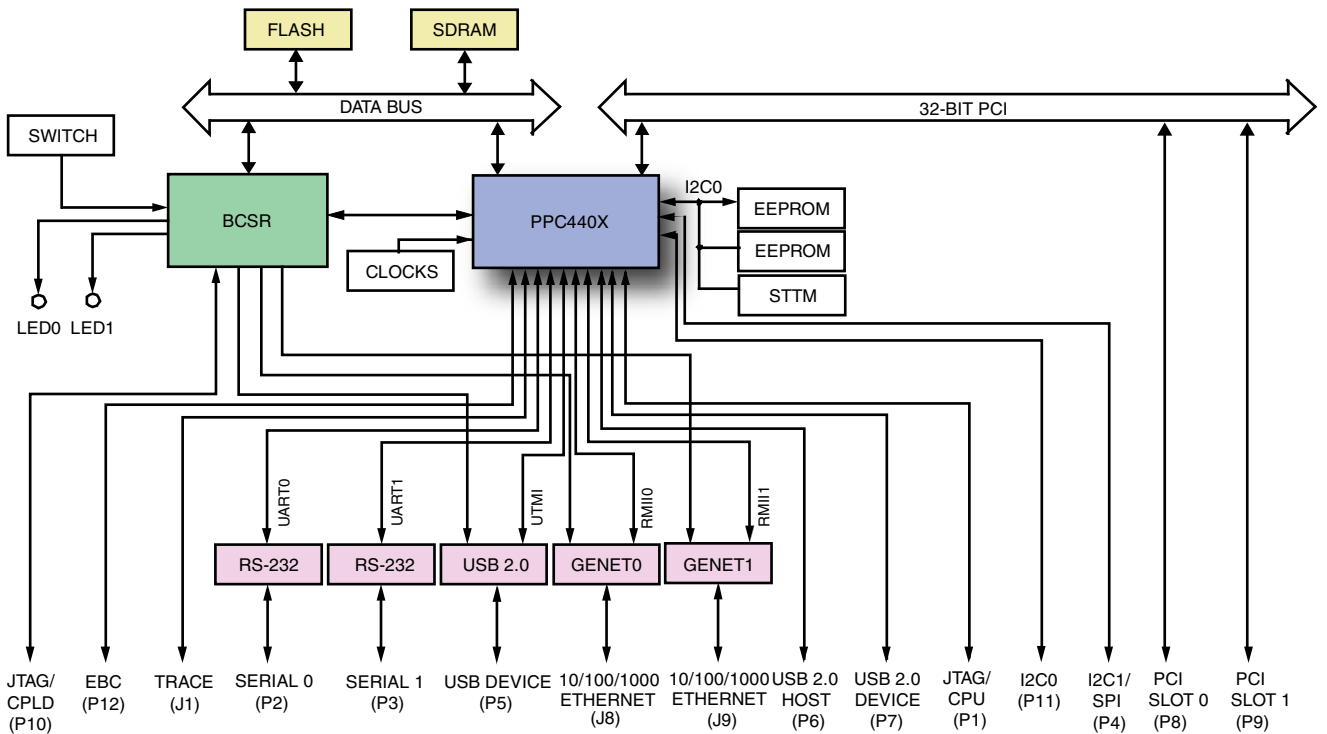
Your solution faster.

Flexible Single Board Computer

The EP440xC single board computer is a flexible and capable development system for the AMCC PowerPC 440EPx and 440GRx processors. The EP440xC board enables rapid prototyping and development of vertical solutions by combining the power of the AMCC PowerPC 440EPx and 440GRx processors with numerous expansion and debug options. It includes PCI slots, serial, USB, and Ethernet interfaces for rapid prototyping of systems using standard peripheral components. In addition a full suite of software including a bootloader, flash programmer, and several operating systems ensures that building a system will be greatly simplified.

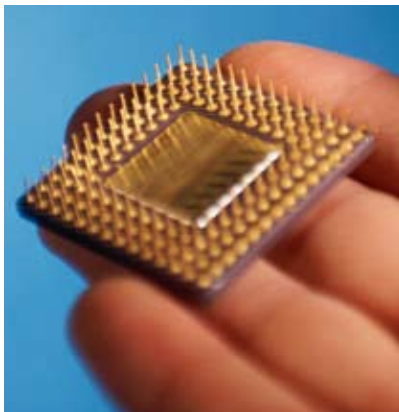
The AMCC 440EPx and 440GRx processors are highly integrated, powerful, and low power PowerPC cores. They both run at speeds up to 667MHz and include integrated DDR2 memory controllers and Gigabit Ethernet, UART, I2C, PCI interfaces. In addition the 440EPx includes a floating point unit and USB 2.0 Host and Device controllers with PHYs. The combination of high performance, integrated peripherals, and low power consumption make the AMCC 440EPx and 440GRx ideal for embedded industrial, medical, and networking applications.

Block Diagram



T00287A

Let Us Do The Heavy Lifting



- Embedded Planet offers a complete set of software and hardware training and customization services to go along with our Off-the-Shelf solutions.
- Our training classes in Linux, VxWorks, and Eclipse can help your engineering team shrink their time-to-productivity and help ensure higher quality products.
- Our custom diagnostics tools, Eclipse applications, U-Boot porting, Linux, Green Hills INTEGRITY, and VxWorks BSPs and applications can extend your engineering team and shrink your time to market.
- Contact Embedded Planet to find out how our Professional Services Division can accelerate your project.

This material is the copyright of Embedded Planet 1997-2006. Embedded Planet is a registered Trademark. Other company and product names may be trademarks of their respective owners. Product specifications subject to change without notice.

Contact Embedded Planet sales:
www.embeddedplanet.com or
 email info@embeddedplanet.com
 phone (216) 245-4180