

AC/DC Single Output Desk Top Type

130~180Watts Max.

EA1180 Series



Features

- Economy Type
- CEC Compliance
- RoHS Compliance
- IEC320 C14, C6
- Over Voltage Protective Installation
- Over Current Protective Installation
- Protection Type: Latch-off
- MTBF: >30,000 hours

EA1180 x Y - vv PP

- x:** Case type: 1. C14 3. C6
Y: Output range
vv: Specified output voltage, ie 24 is 24Vdc
PP: Connector type, ie O1 for EDACPOWER standard dc cable or please refer to the appendix page

Electrical Specifications

MODEL No.	MAX. OUTPUT POWER (W)	OUTPUT VOLTAGE (Vo)	MIN. LOAD (Io)	MAX. LOAD (Io)	LOAD REGULATION	LINE REGULATION	RIPPLE & NOISE
EA1180xA-120	150W	12V	0	12.5A	+/- 5%	+/- 1%	240mV
EA1180xB-120	130W	12V	0	10.83A	+/- 5%	+/- 1%	240mV
EA1180xC-180	170W	18V	0	9.47A	+/- 5%	+/- 1%	300mV
EA1180xD-180	150W	18V	0	8.33A	+/- 5%	+/- 1%	300mV
EA1180xE-190	180W	19V	0	9.47A	+/- 5%	+/- 1%	300mV
EA1180xF-190	150W	19V	0	7.89A	+/- 5%	+/- 1%	300mV
EA1180xG-200	180W	20V	0	9.0A	+/- 5%	+/- 1%	300mV
EA1180xH-200	150W	20V	0	7.5A	+/- 5%	+/- 1%	300mV
EA1180xM-240	180W	24V	0	7.5A	+/- 5%	+/- 1%	360mV
EA1180xN-240	150W	24V	0	6.25A	+/- 5%	+/- 1%	360mV

NOTE:

- 1 : Ripple & noise is measured by using 20MHz bandwidth limited oscilloscope and terminated each output with a 0.1uf ceramic capacitor & parallel with 47uF aluminum capacitor at full load and nominal line.
- 2 : Line regulation is defined by changing $\pm 10\%$ of input voltage from nominal line at rated load.
- 3 : Max. Output Power (W) $\geq V_o \times I_o$

Electrical Specifications

INPUT

- Input Range 100 to 240 VAC
- Frequency 50 to 60Hz
- Input Current $\leq 2.5A$
- Inrush Current $\leq 90A$
- Efficiency 87% Typ.
- Hold Up Time $\geq 8.3mS$
- Turn On Time $\leq 3s$

OUTPUT

- Over Voltage Protection Latch off
- Short Circuit Protection Latch off

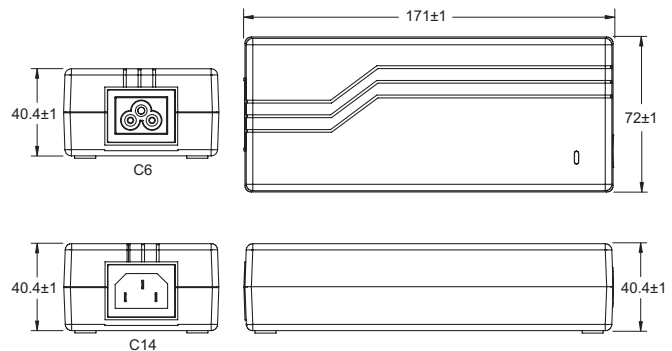
ENVIRONMENTAL

- Operating Temperature 0 to 40°C
- Storage Temperature -20 to 85 °C
- Storage Humidity 5 % to 95%

SAFETY

- UL/CUL UL60950, UL60065, TUV/GS EN/IEC 60950, EN/IEC 60065 CB, CE, FCC

Mechanical Specification



- Case Size: 171Lx72Wx40.4H (mm)
- AC Inlet: C14, C6
- Weight: 820g

Certificates listed are for reference only. Please contact our sales department for details.