

## Nano-ITX Series

# VIA EPIA NX

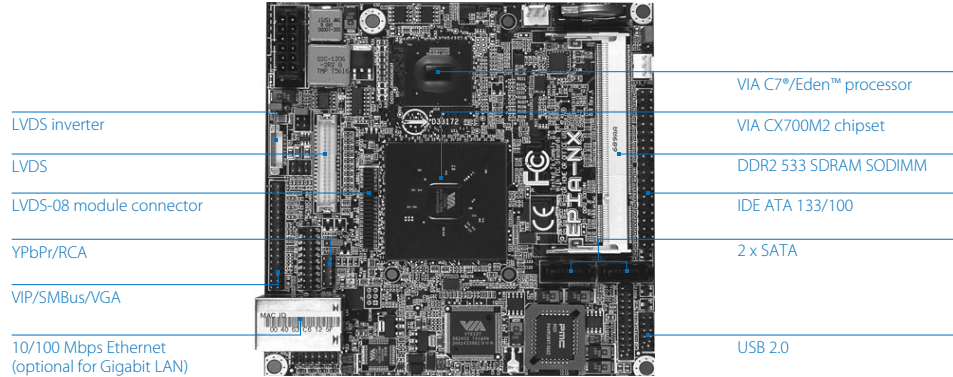
Nano-ITX C7®/Eden™ Board  
with MPEG-2 & 4, WMV9 &  
Dual LVDS

## Features

- Integrated VIA UniChrome™ Pro II 3D/2D AGP graphics with MPEG-2/4 and WMV9 decoding acceleration
- Supports DDR2 533 SDRAM (SODIMM)
- Onboard dual channel LVDS support, additional dual channel LVDS support available with a daughter card
- Supports 10/100 Mbps Ethernet, or manufacturing option for Gigabit Ethernet
- Supports HDTV resolution
- Supports HD Audio
- Low profile design: All back panel I/O in pin header format except for the RJ-45 LAN connector



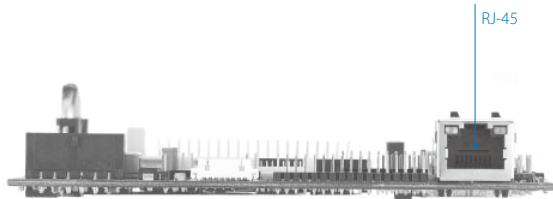
## Board Placement



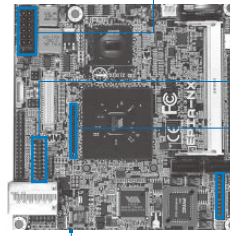
## Specifications

| Model Name                                | EPIA NX15000G   | EPIA NX12000EG   |
|---|---|------------------|
| <b>Processor</b>                          | 1.5GHz VIA C7®  | 1.2GHz VIA Eden™ |
| <b>Chipset</b>                            | VIA CX700M2 Unified Digital Media IGP chipset   |                  |
| <b>System Memory</b>                      | 1 x DDR2 533 SODIMM socket<br>Up to 1GB memory size   |                  |
| <b>VGA</b>                                | Integrated VIA UniChrome™ Pro II 3D/2D AGP graphics with MPEG-2/4 and WMV9 video decoding acceleration  |                  |
| <b>Expansion Slot</b>                     | 1 x Mini PCI slot   |                  |
| <b>Onboard IDE</b>                        | 1 x UltraDMA 133/100/66 connector (40-pin pin header)   |                  |
| <b>Onboard Serial ATA</b>                 | 2 x SATA connectors   |                  |
| <b>Onboard LAN</b>                        | 1 VIA VT6107 10/100 Mbps Ethernet controller<br>Or manufacturing option for VIA VT 6122 Gigabit Ethernet controller   |                  |
| <b>Onboard Audio</b>                      | VIA VT1708A High Definition Audio Codec   |                  |
| <b>Onboard TV Out</b>                     | Integrated HDTV TV Encoder  |                  |
| <b>Onboard I/O Connectors</b>             | 1 x USB pin connector for 6 additional USB 2.0 ports<br>1 x LPC connector<br>1 x LVDS pin connector, for 18/24-bit dual channel LVDS panel<br>1 x Module connector to support 2nd 18/24-bit dual channel LVDS panel (an add-on card is required)<br>1 x TV Out pin connector for Composite, S-Video and Component (YPbPr)<br>1 x Video connector for VGA output, CCIR656/601 video input and SMBus<br>1 x Audio pin connector for Line-out, Line-in, Mic-in and S/PDIF out<br>1 x PS2 mouse/keyboard pin connector<br>2 x Fan pin connectors: CPU/Sys FAN<br>1 x Nano-ITX power connector |                  |
| <b>Back Panel I/O</b>                     | 1 x RJ45 LAN port   |                  |
| <b>BIOS</b>                               | Award BIOS<br>4/8Mbit flash memory  |                  |
| <b>Operating System</b>                   | Windows XP, Linux, Win CE, XPe  |                  |
| <b>System Monitoring &amp; Management</b> | Wake-on LAN, Keyboard Power-on, Timer Power-on<br>System power management<br>AC power failure recovery  |                  |
| <b>Operating Temperature</b>              | 0°C ~ 50°C  |                  |
| <b>Operating Humidity</b>                 | 0% ~ 95% (relative humidity; non-condensing)  |                  |
| <b>Form Factor</b>                        | Nano-ITX (8-layer)<br>12 cm x 12 cm   |                  |

## Back Panel I/O



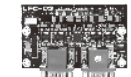
## Accessories



**PWB-N550**  
DC-DC power board: 12-24V input/120W output



**LPC-01**  
Expansion module for 4 5V/12V COM port



**LPC-02**  
Expansion module for 2 RS232 and 2 RS232/422/485



**LVDS-08**  
Support 18/24-bit LCD display



**WLAN USB Module**  
802.11 b/g standards

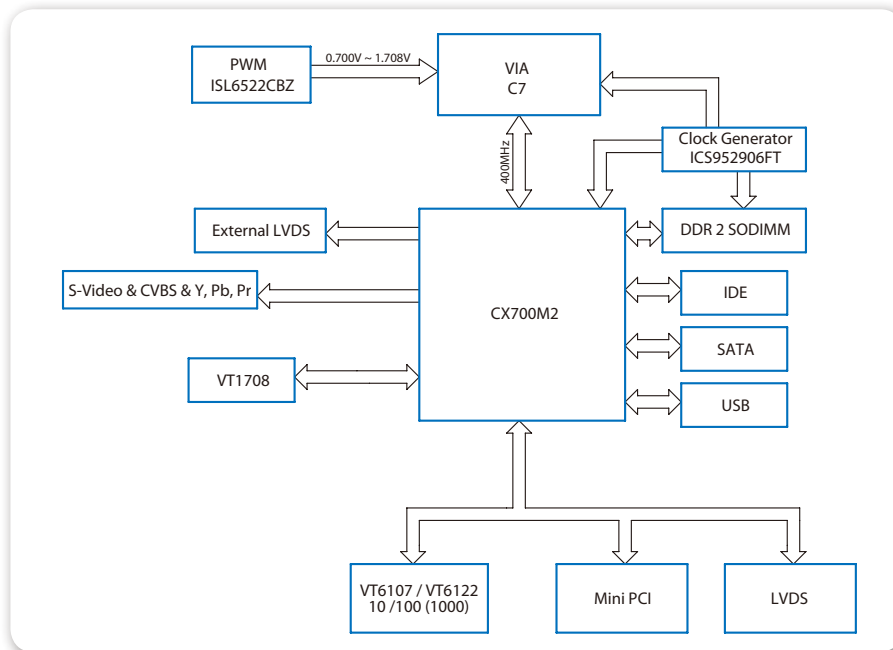


**WLAN Mini PCI**  
802.11 b/g standards

## Ordering Information

| Model Name | CPU Frequency | Description  |
|------------|---------------|--|
| NX15000G   | 1.5GHz C7®    | Nano-ITX Board with 1.5GHz C7® CPU, VGA, USB, LAN, Dual LVDS, TV-out, IDE & SATA   |
| NX12000EG  | 1.2GHz Eden™  | Nano-ITX Board with 1.2GHz Eden™ CPU, VGA, USB, LAN, Dual LVDS, TV-out, IDE & SATA |

## Block Diagram



## Packing List

| Items                               |
|-------------------------------------|
| 1 x ATA-66/100/133 IDE ribbon cable |
| 1 x VGA cable                       |
| 1 x USB cable                       |
| 1 x PS2 cable                       |
| 1 x Power cable                     |
| 1 x General installation guide      |
| 1 x Driver Utility CD               |