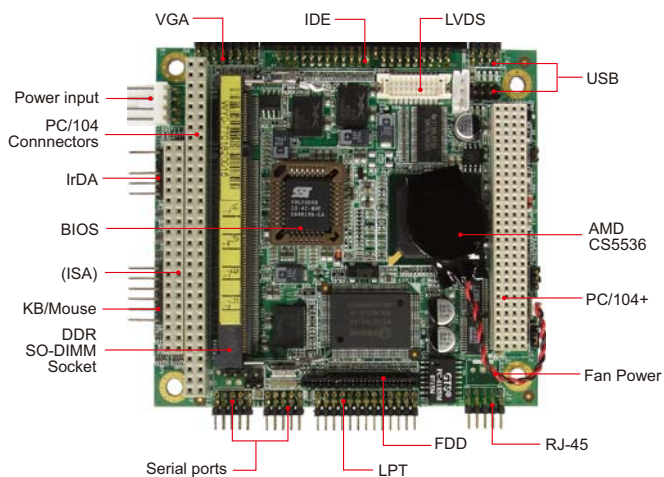




# IB704



## System

CPU	AMD Geode LX (LX800 @500MHz, LX700 @433MHz)
System Memory	DDR SO-DIMM x 1, max. 1GB
System Chipset	AMD CS5536 chipset
BIOS	Award
Watchdog Timer	256 levels
SSD	N/A
H/W Monitor	Yes
Expansion Slot	PC/104+ (PCI + ISA)

## Graphics

VGA Controller	LX800/LX700 built-in 2D graphics controller Supports CRT and LVDS LCD display
VGA Memory	Shared memory Max. 64MB
LCD Interface	20-pin header for 18-bit single channel LVDS

## LAN

LAN Controller	Realtek RTL8100C 10/100Mbps
Connector	Pin header for RJ-45

## Multi I/O

I/O Chipset	AMD CS5536 + Winbond W83627HG 1x IDE (UDMA100), 1x FDD (slim type), 1x KB, Mouse, 2x RS-232, 1x LPT
USB	Pin header for 4 ports (USB 2.0)
Audio	No Sound
Others	PCI to ISA Bridge, PCI arbiter (extends PCI devices)

## Features

- Embedded AMD Geode LX processor  
433MHz (LX700) / 500MHz (LX800)
- 1x DDR SO-DIMM, Max. 1GB
- Realtek RTL8100C 10/100BaseT LAN
- Integrated LX800/LX700 2D VGA controller,  
supports CRT and LVDS
- 4 x USB 2.0, 2 x COM, Watchdog timer
- PC/104+ connector (PCI + ISA)

## Mechanical and Environmental

Dimensions	96mm x 90mm (3.78" x 3.54")
Max. Power Requirement	AMD Geode LX800 500MHz w/ 512MB DDR +5V: 1.06A +12V: 0.1A
Operating Temperature	0°C~60°C (32°F~140°F)
Storage Temperature	-20°C~80°C (-4°F~176°F)
Relative Humidity	10%~90% (non-condensing)

## Ordering Information

IB704-R	AMD Geode LX700, 433MHz, PC/104 Plus CPU Module w/ VGA and 10/100 LAN
IB704F-R	AMD Geode LX800, 500MHz, PC/104 Plus CPU Module w/ VGA and 10/100 LAN
IB41	Cable kit for IB704 series, w/ IDEx2, COMx2, PS/2, printer, USBx2, VGA and FDD

### Remarks:

\* Specifications are subject to change without prior notice.