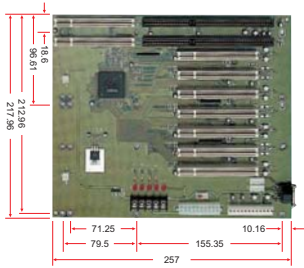
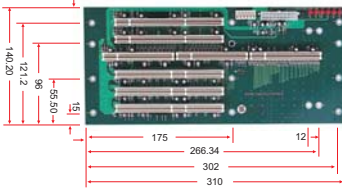


# PICMG Backplane

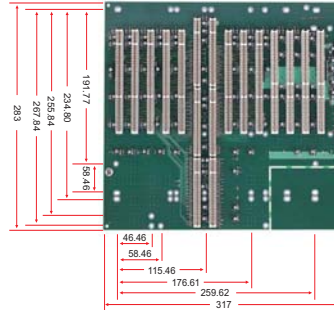


**PBP-08A7**  
8-slot (7xPCI) Active PICMG Backplane

## PICMG 1.2 BACKPLANE



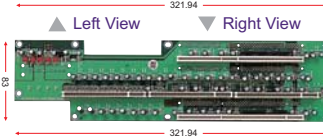
**PBP-06P564**  
6-slot (2xPCI-X, 3xPCI)  
64-bit PICMG 1.2 Backplane  
- Fit for 6-slot node chassis  
- ATX & aux power connectors support



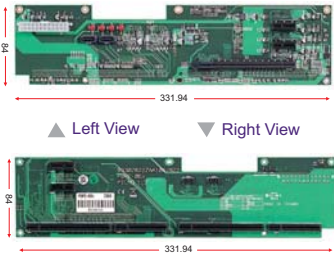
**PBP-14PD64**  
14-slot (8xPCI-X, 4xPCI)  
64-bit PICMG 1.2 Backplane  
- Support 4 independent buses with ROBO-8820VG2H & PA-B1  
- Three PCI-X buses; one PCI bus  
- ATX & AUX power connectors support



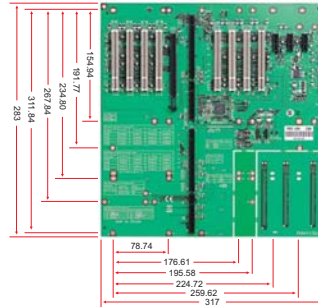
**PBP-06V564**  
Vertical 6-slot (2xPCI-X, 3xPCI)  
64-bit PICMG 1.2 Backplane  
- Fit for 2U chassis  
- ATX power connector support



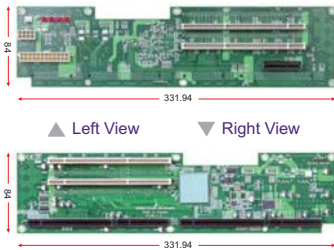
## PICMG 1.3 BACKPLANE



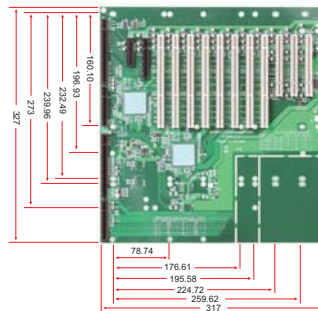
**PBPE-06V**  
Vertical 5-slot [PCI-e x1 (4), PCI-E x16 (1)]  
PICMG 1.3 Backplane  
- Fit for 2U chassis  
- Four USB ports  
- Dual SATA ports  
- 24-pin ESP12V power connector



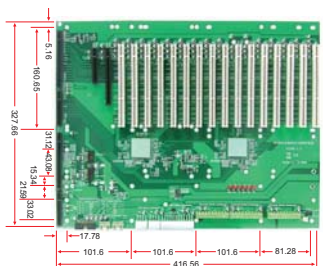
**PBPE-13A8**  
13-slot [PCI (8), PCI-E x16 (1), PCI-E x1 (3)]  
PICMG 1.3 Backplane  
- Fit for 4U chassis  
- Four USB ports  
- Dual SATA ports  
- 24-pin ESP12V power connector



**PBPE-06V464**  
Vertical 5-slot [PCI-E x4 (1), PCI-X (4)]  
PICMG 1.3 Backplane  
- Fit for 2U chassis  
- Dedicated to ROBO-8920VG2  
- Dual PCI-X buses support four PCI-X slots



**PBPE-14AD64**  
14-slot [PCI x4 (1), PCI-E x8 (1), PCI-X (8), PCI (3)]  
PICMG 1.3 Backplane  
- Fit for 4U chassis  
- Dedicated to ROBO-8920VG2  
- Four PCI-X buses support eight PCI-X expansion slots



**PBPE-19AG64**  
19-slot [PCI x4 (1), PCI-E x8 (1), PCI-X (16)]  
PICMG 1.3 Backplane  
- Fit for 4U up chassis  
- Dedicated to ROBO-8920VG2  
- Four PCI-X buses support 16 PCI-X expansion slots