

INPUT CHARACTERISTICS:**R3U -6460P**

- VOLTAGE: 95 ~ 264 VAC FULL RANGE
- FREQUENCY : 47 ~ 63 Hz
- INPUT CURRENT: 9.0 / 4.5 A FOR 115 / 230 VAC
- INRUSH CURRENT: 35A / 70A MAX. FOR 115 / 230 VAC PER POWER MODULE

OUTPUT CHARACTERISTICS:

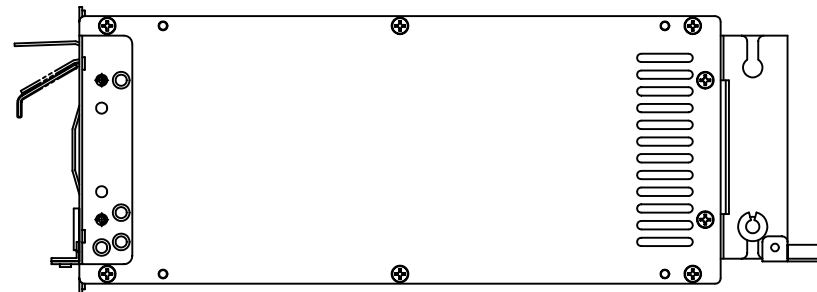
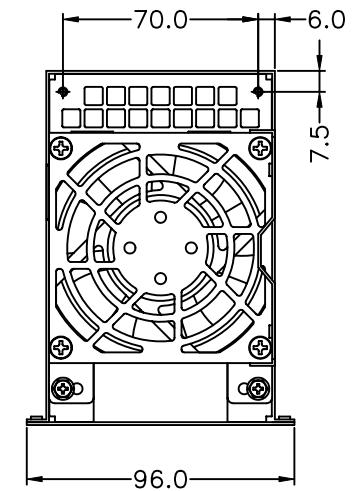
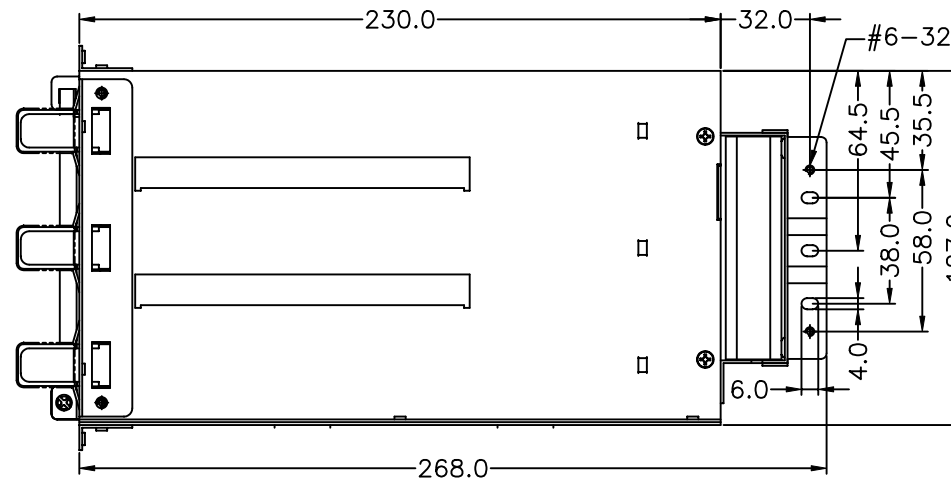
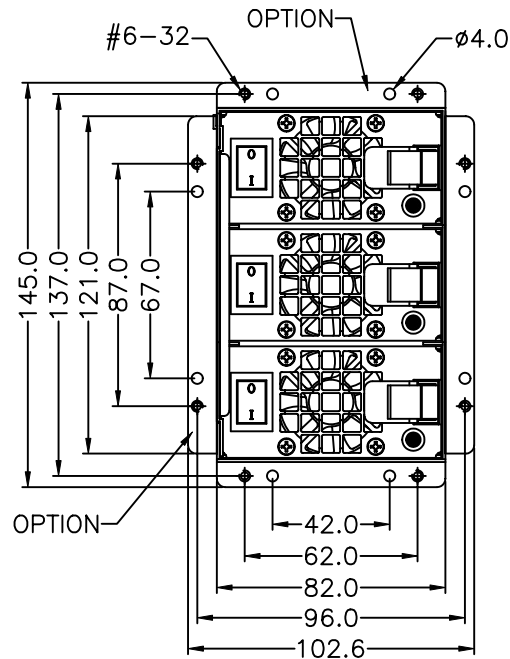
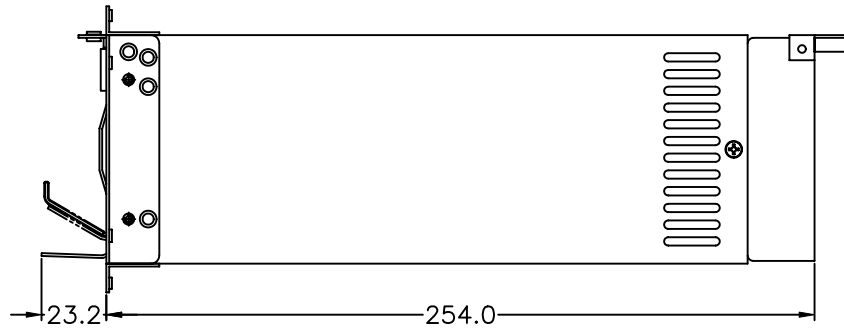
OUTPUT VOLTAGE	OUTPUT CURRENT			REGULATION		OUTPUT
	MIN.[A]	MAX.[A]	PEAK(A)	LOAD	LINE	RIPPLE & NOISE MAX. [P-P]
5V	2.0	50		± 5%	± 1%	50mV
12V	2	32		± 5%	± 1%	100mV
-5V	0.1	1		±10%	± 1%	120mV
-12V	0.1	1		±10%	± 1%	150mV
3.3V	1.0	28		± 5%	± 1%	50mV
+5VSB	0.1	3.0		± 5%	± 1%	50mV

REMARKS: TOTAL CURRENT OF +5V AND + 3.3V NOT EXCEED 50 A

TOTAL +5V AND 3.3V AND 12V POWER NOT EXCEED 460 W

- TEMPERATURE RANGE : OPERATING 0°C --- 40°C, STORAGE -20°C --- 70°C
- HOLD UP TIME: 16 ms MINIMUM AT FULL LOAD & 90 VAC INPUT VOLTAGE
- DIELECTRIC WITHSTAND: INPUT / OUTPUT 1500 VAC FOR 1 MINUTE
INPUT TO FRAME GROUND 1500 VAC FOR 1 MINUTE
- EFFICIENCY: 63% TYPICAL, AT FULL LOAD
- POWER GOOD SIGNAL: ON DELAY 100 ms TO 500 ms, OFF DELAY 1 ms
- OVER LOAD PROTECTION: 110 ~ 160% MAX.
OVER VOLTAGE PROTECTION:
+5V → 5.7V ~ 6.5V, 3.3V → 3.9 ~ 4.3V, 12V → 13.3 ~ 14.3V
- DUAL EMI NOISE INLET FILTER: FCC CLASS B, CISPR22 CLASS B
- SAFETY: UL 1950, CSA 22.2 NO/ 950, TÜV IEC 950
- REMOTE ON / OFF CONTROL
- FAULTY ALERT METHODS : LED, BUZZER, TTL SIGNAL
- HOT-SWAPPABLE / HOT-PLUGGABLE REDUNDANCY FUNCTION
- 2 + 1 BALANCE LOAD SHARING DESIGN ON 5/12/3.3V CHANNEL
- REMOTE SENSING DESIGN
- ISOLATION: BUILT-IN IN THE POWER MODULE
- MEET IEC-1000-3-2 CLASS D (ACTIVE PFC)
- DIMENSION: 82(H)X127(W)X230/254(D) mm
- COOLING : THREE 40 mm DC FANS (ONE IN EACH MODULE)
ONE 80 mm DC FAN (REAR SIDE)

修訂 REVISIONS		
版次 REV.	記號 DESCRIPTION	日期 DATE
A2	將後風扇架圓孔改為橢圓孔	APR-29-2002



容許公差:
TOLERANCES:
.XXX ±.025
.XX ±.100
.X ±.250

材料規格:
MATERIAL:

核准者:
APPROVE BY:

審核者:
CHECK BY:
繪圖者:
DRAW BY:

日期:
DATE:

日期:
DATE:

APR-29-2002

品名:
MODEL NO:

R3U 外觀尺寸圖

料號:
PART NO:

圖號:
DRAW NO:

槽號:
FILE NO:
R3U0MA00 R3U0MA00

單位:
UNITS:

版次:
REV. NO:

規格:
SPEC.:

編號:
SHEET:

投影法:
PROJECTION:
第三角法

mm A2 A1 OF