

INPUT CHARACTERISTICS:

H1U-6200P

- VOLTAGE: 90 ~ 265 VAC FULL RANGE
- FREQUENCY : 47 ~ 63 HZ
- INPUT CURRENT: 4.0 A (RMS) FOR 115VAC
2.0 A (RMS) FOR 230VAC
- INRUSH CURRENT: 30.0A MAX. FOR 115 VAC
60.0A MAX. FOR 230 VAC

OUTPUT CHARACTERISTICS:

OUTPUT VOLTAGE	OUTPUT CURRENT		REGULATION		OUTPUT RIPPLE & NOISE MAX. [P-P]
	MIN. [A]	MAX. [A]	LOAD	LINE	
5V	3.0	20	± 5%	± 1%	70mV
12V	2	12	± 8%	± 1%	120mV
-5V	0	0.2	± 10%	± 1%	150mV
-12V	0.1	0.5	-10%~+10%	± 1%	150mV
3.3V	0.0	14	± 5%	± 1%	70mV
+5VSB	0	2.0	± 5%	± 1%	70mV

REMARKS:

1. THE OUTPUT POWER OF 5V & 3.3V NOT EXCEED 130 WATTS
2. TOTAL OUTPUT POWER NOT EXCEED 200 WATTS

SPECIFICATION:

- TEMPERATURE RANGE: OPERATING 0 --- 40
- HOLD UP TIME: 16 ms MINIMUM AT FULL LOAD & NORMAL INPUT VOLTAGE
- DIELECTRIC WITHSTAND: INPUT / OUTPUT 1500 VAC FOR 1 SECOND
INPUT TO FRAME GROUND 1500 VAC FOR 1 SECOND
- EFFICIENCY: 70% TYPICAL
- POWER GOOD SIGNAL: ON DELAY 100 ms TO 500 ms, OFF DELAY 1 ms
- OVER LOAD PROTECTION: 110% ~ 160%
- OVER VOLTAGE PROTECTION: **+5V → 5.6V ~ 6.6V, 3.3V → 3.6 ~ 4.2V**
+12V → 13.2 ~ 14.6V
- SHORT CIRCUIT PROTECTION: +5V, -5V, +12V, -12V, +3.3V
- EMI NOISE FILTER: FCC CLASS A, CISPR22 CLASS A
- SAFETY: UL 1950, CSA 22.2 NO/ 950, TÜV IEC 950
- REMOTE ON / OFF CONTROL
THE UNIT SHALL ACCEPT A LOGIC OPEN COLLECTOR LEVEL WHICH WILL DISABLE / ENABLE ALL THE OUTPUT VOLTAGE (EXCLUDE +5V STANDBY), AS LOGIC LEVEL IS LOW, OUTPUTS VOLTAGE WERE ENABLE, AS LOGIC LEVEL IS HIGH, OUTPUTS VOLTAGE WERE DISABLE.
- 3.3V / 5V REMOTE SENSING
- COOLING: ONE 40mm DC FAN
- DIMENSION: 155 (D) x 100 (W) x 40.5 (H) mm
- ACTIVE POWER FACTOR CORRECTION MEET IEC-1000-3-2 CLASS D

Revision: A01

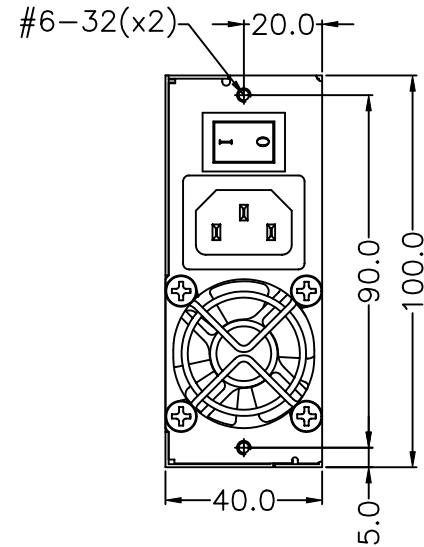
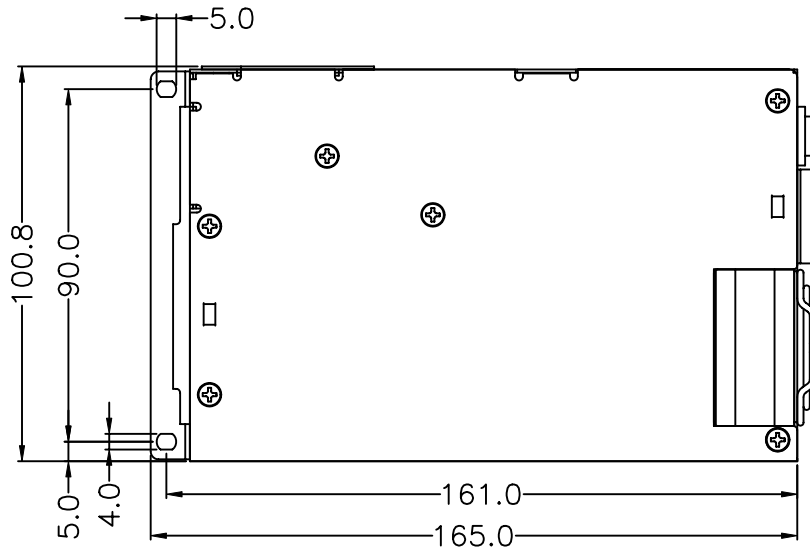
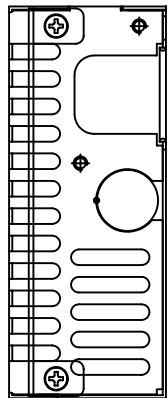
1 2 3 4 5 6 7

REV. 6		REV. 7	
版次 REV.	修訂 記述 DESCRIPTION	日期 DATE	日期 DATE
A2	圖面修正		AUG-11-2003

A

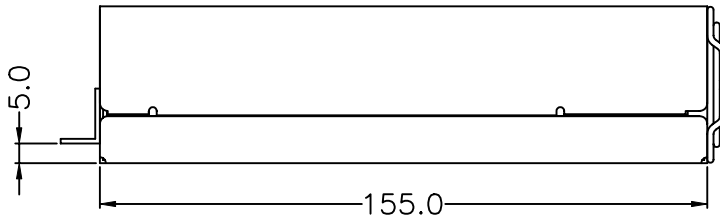


B



C

D



E

容許公差:
TOLERANCES:
.XXX ±.025
.XX ±.100
.X ±.250

材料規格:
MATERIAL:
核准者:
APPROVE BY:

日期:
DATE:
日期:
DATE:
日期:
DATE: AUG-11-2003

投影法:
PROJECTION:
第三角法

審核者:
CHECK BY:
繪圖者:
DRAW BY:

新巨企業股份有限公司
ZIPPY TECHNOLOGY CORP.
POWER DIVISION

品名:
MODEL NO: H1U外觀尺寸圖

料號:
PART NO:

圖號:
DRAW NO: H1UOMA00 檔號: H1UOMA00

單位: mm 版次: A2 規格: A2 編號: OF