

INPUT CHARACTERISTICS:**R2X -6500P**

- VOLTAGE: 105 ~ 264 VAC FULL RANGE
- FREQUENCY : 47 ~ 63 Hz
- INPUT CURRENT: 8.0 / 4.0 A FOR 115 / 230 VAC
- INRUSH CURRENT: 60A / 80A MAX. FOR 115 / 230 VAC PER POWER MODULE

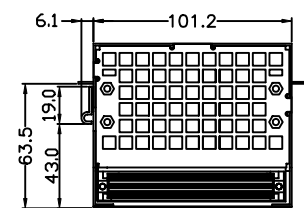
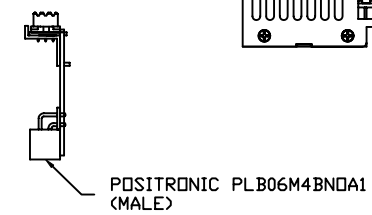
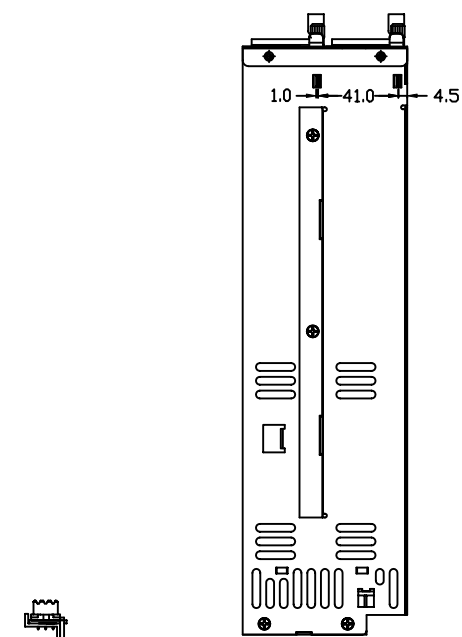
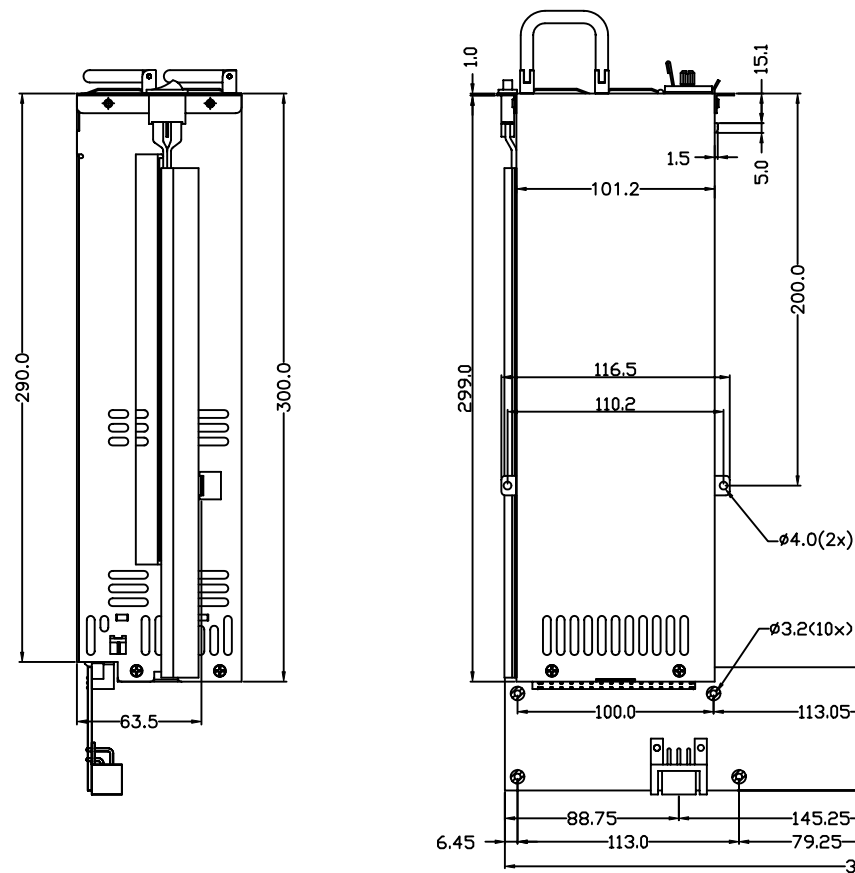
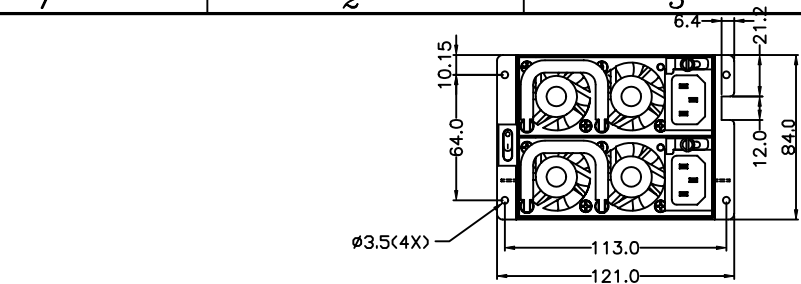
OUTPUT CHARACTERISTICS:

OUTPUT VOLTAGE	OUTPUT CURRENT			REGULATION		OUTPUT
	MIN.[A]	MAX.[A]	PEAK(A)	LOAD	LINE	RIPPLE & NOISE MAX. [P-P]
5V	2.0	30		± 5%	± 1%	50mV
12V	2	32		± 5%	± 1%	120mV
-5V	0.05	0.7		+5/-10%	± 1%	120mV
-12V	0.05	0.7		+5/-10%	± 1%	120mV
3.3V	1.0	24		± 5%	± 1%	50mV
+5VSB	0.1	2.0		+ 6/-5%	± 1%	50mV

REMARKS: TOTAL CURRENT OF +5V AND + 3.3V NOT EXCEED 43 A;
total output power not exceed 500w

- TEMPERATURE RANGE : OPERATING 0°C --- 40°C, STORAGE -20°C --- 70°C
- HOLD UP TIME: 16 ms MINIMUM AT FULL LOAD & 90 VAC INPUT VOLTAGE
- DIELECTRIC WITHSTAND: INPUT / OUTPUT 1500 VAC FOR 1 MINUTE
INPUT TO FRAME GROUND 1500 VAC FOR 1 MINUTE
- EFFICIENCY: 68% TYPICAL, AT FULL LOAD 115V
- POWER GOOD SIGNAL: ON DELAY 100 ms TO 500 ms, OFF DELAY 1 ms
- OVER LOAD PROTECTION: 110 ~ 160% MAX.
OVER VOLTAGE PROTECTION:
+5V → 5.7V ~ 6.5V, 3.3V → 3.9 ~ 4.3V, 12V → 13.3 ~ 14.3V
- OVER CURRENT PROTECTION
- EMI NOISE FILTER: FCC CLASS B, CISPR22 CLASS B
- SAFETY: UL 1950, CSA 22.2 NO/ 950, TÜV IEC 950
- REMOTE ON / OFF CONTROL
- FAULTY ALARM METHODS : LED, BUZZER, TTL SIGNAL
- HOT-SWAPPABLE / HOT-PLUGGABLE REDUNDANCY FUNCTION
- REMOTE SENSING DESIGN
- ISOLATION: BUILT-IN IN THE POWER MODULE
- MEET IEC-1000-3-2 CLASS D (ACTIVE PFC)
- DIMENSION: 84(H) X 101(W) X 300 (D) mm
- COOLING : TWO 38x38x28 mm DC FANS (MODULE)
- AC INLET IN EACH MODULE


修訂 REVISIONS		日期 DATE
版次 REV.	記號 DESCRIPTION	



容許公差: TOLERANCES:	材料規格: MATERIAL:
.XXX ±.025	
.XX ±.100	
.X ±.250	

核准者: APPROVE BY:	日期: DATE:
審核者: CHECK BY:	日期: DATE:
繪圖者: DRAW BY:	日期: DATE:

圖號: DRAW NO:	日期: DATE:
圖號: DRAW NO:	日期: DATE:
圖號: DRAW NO:	日期: DATE:

 新巨企業股份有限公司 ZIPPY TECHNOLOGY CORP. POWER DIVISION		品名: MODEL NO:	R2X 外觀尺寸圖	
		料號: PART NO:	R2X0MA00	
圖號: DRAW NO:	日期: DATE:	槽號: FILE NO:	R2X0MA00	
單位: UNITS:	版次: REV. NO:	規格: SPEC.:	A0	編號: SHEET:
	S1			OF

投影法:
PROJECTION:
第三角法

日期:
DATE: JAN-22-2003