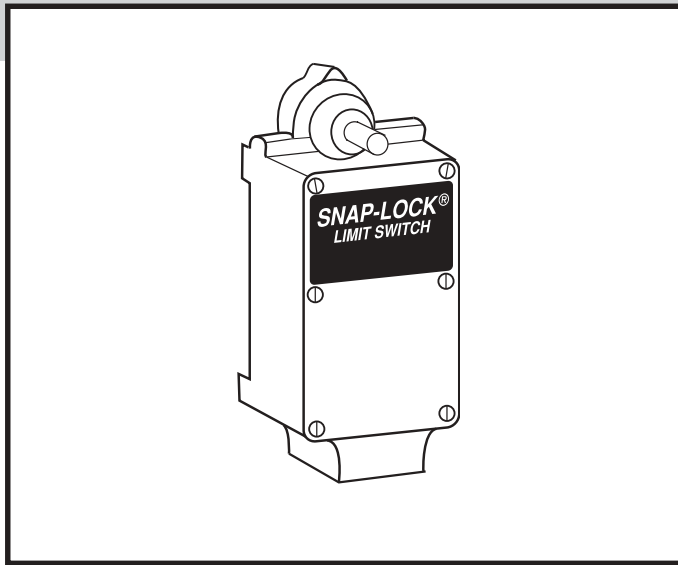


Nuclear Qualified Products



Limit Switches/ Receptacle Assembly... For Nuclear Environments

Features:

- Qualified to IEEE Standards 344-1975, 323-1974, and 382-1972.
- Manufactured to a quality assurance program designed to meet the requirements of 10CFR50, Appendix B, and ANSI N45.2, as applicable.
- Die-cast bronze housing.
- Stainless steel top cover and fasteners.
- Gold-plated contacts.
- High temperature components throughout.
- High temperature lubricants.
- Seismic and vibration resistant.
- Resists chemical spray.
- Three mounting styles.
- EA 180 has a positive lever latching mechanism.

Technical Data:

- Two normally open and two normally closed, NEMA form Z contact arrangement.
- Enclosure meets NEMA 1, 4 and 13 requirements for dust-tight, water-tight and oil-tight applications.
- Operating lever is adjustable in 7°30' increments through 173°.
- Adequate wiring space for nine conductors.
- Operating temperature 0° to 90°C.
- Short term exposure to 175°C.
- EA 180-302/402 has 10° or 6½ ° pre-travel, maximum travel 37°.
- Weight EA 180-302: 4.5 lbs.; EA 180-402: 5.5 lbs.
- DBE maximum test parameters — temperature 340°F, pressure 70 PSIG, radiation 204 megarads gamma.

Continuous Current Rating 75-100% Power Factor*

125 VAC	20 AMPS*
250 VAC	15 AMPS*
480 VAC	10 AMPS*
600 VAC	5 AMPS*
125 VDC	5 AMPS
250 VDC	1.5 AMPS

Receptacle Data

- Qualified receptacle sealed in place.
- Qualified ring tongue terminal applied to leads.
- Every assembly tested before shipment.
- Qualified lead wires.
- Receptacle keyed for proper alignment of connector.
- All circuits wired.
- Circuits of receptacle identified the same as limit switch A, B, C, D, etc.

FOR INSIDE CONTAINMENT AREAS SWITCHES SHOULD BE SPECIFIED AS FOLLOWS:

EA180 Series*

Series	Operation	Standard	Wide	Long
		EA180-		
EA180 Standard	CW	11302	21302	31302
	CCW	12302	22302	32302
	Maint.	13302	23302	33302
EA180 Short Travel	CW	14302	24302	34302
	CCW	15302	25302	35302
	Maint.	16302	26302	36302

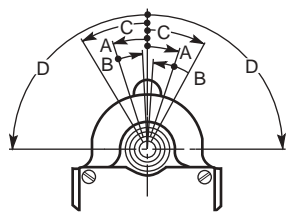
* For inside containment — see catalog EA170-XX302.

EA180 Series with Receptacle**

Series	Operation	Standard	Wide	Long
		EA180-		
EA180 Standard	CW	11402	21402	31402
	CCW	12402	22402	32402
	Maint.	13402	23402	33402
EA180 Short Travel	CW	14402	24402	34402
	CCW	15402	25402	35402
	Maint.	16402	26402	36402

** For outside containment — see catalog EA170-XX402. Male Receptacle Assemblies may be ordered separately. Please order part number EC290-19001.

Operational Data



Series EA180 - Standard

Direction of Rotation

- A. Trip Travel 10°
- B. Reset Travel 8°
- C. Recommended Travel 13°
- D. Total Travel 37°
- E. Torque to Trip (inch Lbs.) 21

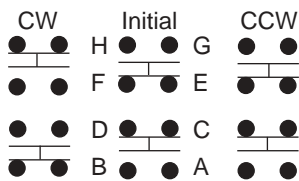
Series EA180 - Short Travel

- A. Trip Travel 6°30'
- B. Reset Travel 4°
- C. Recommended Travel 7°
- D. Total Travel 36°
- E. Torque to Trip (Inch Lbs.) 32

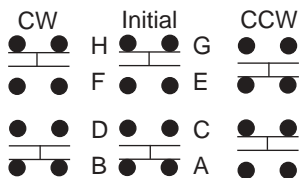
RETURN SPRING MOUNTED ON THIS SIDE OF SWITCH FOR "CCW" OPERATION. RETURN SPRING MOUNTED ON THIS SIDE OF SWITCH FOR "CW" OPERATION.

Contact Configuration:

For CW Switch



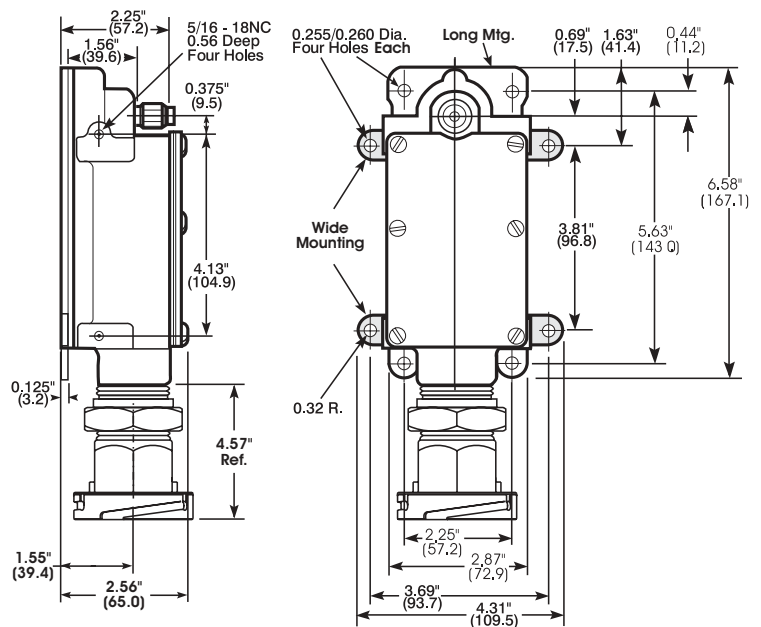
For CCW Switch



PLUG-IN CABLES: Cable lengths for the above Switch/ Receptacle Assemblies should be ordered with specific cable lengths as follows . . .

Plug-In Cables	
Length	EC290-
20 Ft.	29020
25 Ft.	29025
30 Ft.	29030
35 Ft.	29035
50 Ft.	29050
100 Ft.	29100

Dimensions



LEVERS: For use inside containment area, levers with bronze arms and beryllium copper rollers are recommended.

Note: Levers must be ordered as separate item. For information request Lever Bulletin EL.

ADAPTORS: Straight and elbow adaptors are available for direct mounting into limit switches. See CD/EH700 Series Bulletin.

