

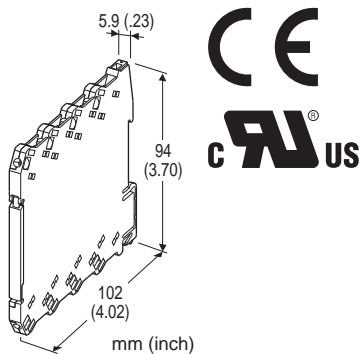
Euro Terminal Ultra-Slim Signal Conditioners M6D Series

R: 24 V DC
(Operational voltage range 24 V \pm 10 %, ripple 10 %p-p max.)

ISOLATOR

Functions & Features

- 5.9-mm wide ultra-slim design
- Low profile allows the M6D module mounted in a 120-mm deep panel
- Galvanically isolates process instrumentation signals
- High-density mounting
- Power indicator LED
- UL approval



[4] OPTIONS (multiple selections)

RESPONSE TIME (0 - 90 %)

blank: Standard (\leq 0.5 sec.)

/K: Fast Response (Approx. 3.5 msec. voltage output; Approx. 25 msec. current output)

STANDARDS & APPROVALS

blank: CE marking

/UL: UL approval (CE marking)

GENERAL SPECIFICATIONS

Connection

Input and output: Euro terminal (torque 0.3 N·m)

Power input: Via the Installation Base (model: M6DBS) (not available for AC power input)

or Euro terminal (torque 0.3 N·m)

Applicable wire size: 0.2 to 2.5 mm²

Housing material: Flame-resistant resin (black)

Isolation: Input to output to power

Zero adjustment: -2 to +2% (front)

(Output code 4W: Adjustable at 0 V.)

Span adjustment: 98 to 102 % (front)

Power LED: Green light turns on when the power is supplied.

MODEL: M6DYV-[1][2]-[3][4]

ORDERING INFORMATION

- Code number: M6DYV-[1][2]-[3][4]
- Specify a code from below for each [1] through [4]. (e.g. M6DYV-4W4W-R/K/UL)

[1] INPUT / [2] OUTPUT

AA: 4 - 20 mA DC (Input resistance 50 Ω)

/ 4 - 20 mA DC (Load resistance 550 Ω max.)

A6: 4 - 20 mA DC (Input resistance 50 Ω)

/ 1 - 5 V DC (Load resistance 5000 Ω min.)

6A: 1 - 5 V DC (Input resistance 1 M Ω min.)

/ 4 - 20 mA DC (Load resistance 550 Ω max.)

66: 1 - 5 V DC (Input resistance 1 M Ω min.)

/ 1 - 5 V DC (Load resistance 5000 Ω min.)

4W4W: -10 - +10 V DC (Input resistance 1 M Ω min.)

/ -10 - +10 V DC (Load resistance 20 k Ω min.)

[3] POWER INPUT

AC Power

M2: 100 - 240 V AC (Operational voltage range 90 - 264 V, 47 - 66 Hz)

(UL not available)

DC Power

INPUT SPECIFICATIONS

- DC Current: Input resistor incorporated

INSTALLATION

Power Consumption

• AC Power input: Max. 2 VA

• DC Power input: Approx. 0.45 W

Operating temperature: -20 to +55°C (-4 to +131°F)

Operating humidity: 30 to 90 %RH (non-condensing)

Mounting: Installation Base (model: M6DBS) or DIN rail

Weight: 60 g (2.1 oz)

PERFORMANCE in percentage of span

Accuracy: \pm 0.1 %

Temp. coefficient: \pm 0.01 %/°C (\pm 0.006 %/°F)

Line voltage effect: \pm 0.1 % over voltage range

Insulation resistance: \geq 100 M Ω with 500 V DC

Dielectric strength: 2000 V AC @1 minute (input to output to power to ground)

STANDARDS & APPROVALS

CE conformity:

EMC Directive (2004/108/EC)

EN 61000-6-4 (EMI)

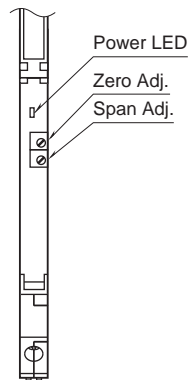
EN 61000-6-2 (EMS)
 Low Voltage Directive (2006/95/EC)
 EN 61010-1
 Installation Category II
 Pollution Degree 2
 Max. operating voltage 300 V
 Input or output to power: Reinforced insulation
 Input to output: Basic insulation

Approval:

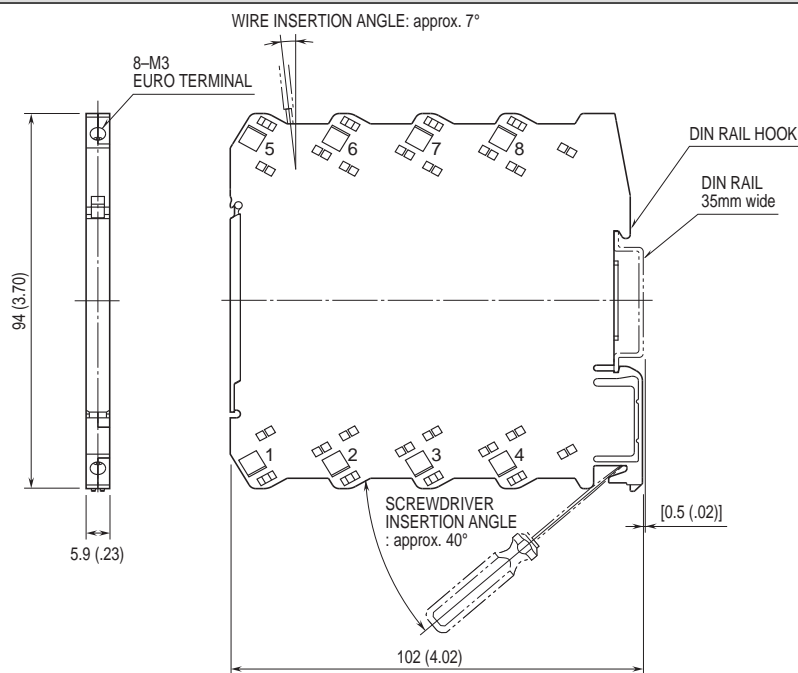
UL/C-UL nonincendive Class I, Division 2,
 Groups A, B, C, and D hazardous locations
 (ANSI/ISA-12.12.01, CAN/CSA-C22.2 No.213)
 UL/C-UL general safety requirements
 (UL 61010-1, CAN/CSA-C22.2 No.61010-1)

EXTERNAL VIEW

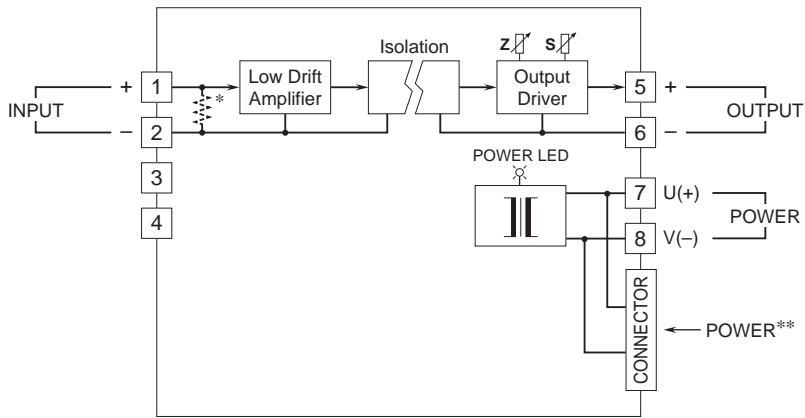
(With the cover open)



DIMENSIONS unit: mm (inch)



SCHEMATIC CIRCUITRY & CONNECTION DIAGRAM



*Input shunt resistor incorporated for current input.
 **Available only for DC power input type



Specifications are subject to change without notice.