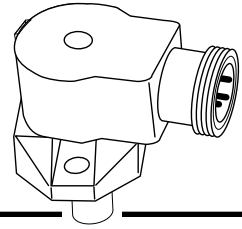


**Weld
Field
Immune**

LPR Cylindicator® Sensors

**DC
AC/DC**



Proximity Sensors

- Both 3,000 and 5,000 PSI Pressure Ratings
- Weld Field and Electrical Noise Immunity
- Standard Latching Short Circuit Protection (SCP) — Non-latching Available in DC Models
- Predictable, Consistent Electrical Performance
- 100% Tested and Burned-in
- Purpose-Designed Housings and Materials

For over 25 years, the Cylindicator sensor has been the standard for industrial applications that require end-of-stroke indication on Hydraulic and Pneumatic Cylinders. Available in both 3,000 and 5,000 PSI pressure ratings, they are the standard for many OEM cylinder manufacturers. All Cylindicators are completely PLC compatible with many output configurations, including a UL Listed Intrinsically Safe version (see EE931 series for details).

LPR 3000 (3,000 PSI)

Probe Length	3-pin Micro, N.O.	3-pin Mini, N.O.		4-pin Mini, N.O.		4-pin Euro, N.O.	
	2-wire, 20-230V, AC/DC Latching SCP	2-wire, 20-230V, AC/DC Latching SCP		3-wire, 10-30V DC, Sourcing (PNP) 10µA leakage current		3-wire, 10-30V DC Sourcing (PNP) 10µA leakage current	
	1.7mA leakage current	1.7mA leakage current	4.5mA leakage current	Latching SCP	Non-Latching SCP	Latching SCP	Non-Latching SCP
1.025	EE230-10423	EE230-10420	EE260-10420	EE210-10440	EE210-10400	EE210-10444	EE210-10404
1.250	EE230-11323	EE230-11320	EE260-11320	EE210-11340	EE210-11300	EE210-11344	EE210-11304
1.500	EE230-12323	EE230-12320	EE260-12320	EE210-12340	EE210-12300	EE210-12344	EE210-12304
1.750	EE230-13323	EE230-13320	EE260-13320	EE210-13340	EE210-13300	EE210-13344	EE210-13304
2.062	EE230-18723	EE230-18720	EE260-18720	EE210-18740	EE210-18700	EE210-18744	EE210-18704
2.875	EE230-17823	EE230-17820	EE260-17820	EE210-17840	EE210-17800	EE210-17844	EE210-17804
3.775	EE230-19023	EE230-19020	EE260-19020	EE210-19040	EE210-19000	EE210-19044	EE210-19004
4.560	EE230-18623	EE230-18620	EE260-18620	EE210-18640	EE210-18600	EE210-18644	EE210-18604

LPR 5000 (5,000 PSI)

Probe Length	3-pin Micro, N.O.	3-pin Mini, N.O.		4-pin Mini, N.O.		4-pin Euro, N.O.	
	2-wire, 20-230V, AC/DC Latching SCP	2-wire, 20-230V, AC/DC Latching SCP		3-wire, 10-30V DC, Sourcing (PNP) 10µA leakage current		3-wire, 10-30V DC Sourcing (PNP) 10µA leakage current	
	1.7mA leakage current	1.7mA leakage current	4.5mA leakage current	Latching SCP	Non-Latching SCP	Latching SCP	Non-Latching SCP
1.025	EE230-10427	EE230-10425	EE260-10425	EE210-10445	EE210-10405	EE210-10446	EE210-10406
1.250	EE230-11327	EE230-11325	EE260-11325	EE210-11345	EE210-11305	EE210-11346	EE210-11306
1.500	EE230-12327	EE230-12325	EE260-12325	EE210-12345	EE210-12305	EE210-12346	EE210-12306
1.750	EE230-13327	EE230-13325	EE260-13325	EE210-13345	EE210-13305	EE210-13346	EE210-13306
2.062	EE230-18727	EE230-18725	EE260-18725	EE210-18745	EE210-18705	EE210-18746	EE210-18706
2.875	EE230-17827	EE230-17825	EE260-17825	EE210-17845	EE210-17805	EE210-17846	EE210-17806
3.775	EE230-19027	EE230-19025	EE260-19025	EE210-19045	EE210-19005	EE210-19046	EE210-19006
4.560	EE230-18627	EE230-18625	EE260-18625	EE210-18645	EE210-18605	EE210-18646	EE210-18606

► Consult factory for Normally Closed and DC Sinking model availability.



Common Sensor Characteristics

CYLINDRICATOR® SENSORS		
	AC/DC	DC
Nominal Sensing Range (±10%)	0.080"	
Current Consumption	1.7 or 4.5mA	10mA
Voltage Drop	≈10 VAC	2.0V@100mA
Temperature Drift (Max.)	±10%	
Short Circuit Protection	yes	
Reverse Polarity Protected	yes	
Ambient Temperature Range	-4°F to +158°F	
Maximum Switching Frequency	16Hz	
Hysteresis	3-10%	
Repeatability	<±1.25%	
Designed to meet NEMA Enclosure Type	4, 6, 12 & 13	
Load Current	5mA to 500mA	200mA max.
LED Indicator	red = power green = target	green = power amber = target
Shipping Weight	12 oz.	

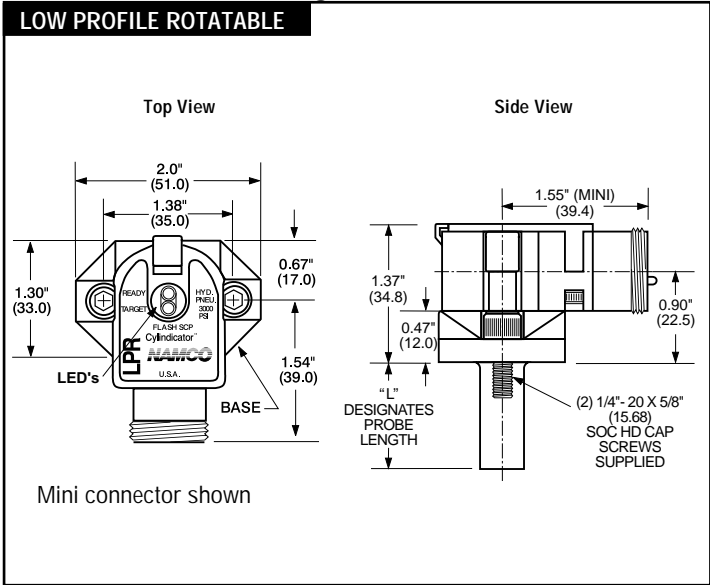
See Cylindricator® Sensor Design Guide Section for details.

LED Functions

	10-30V DC		20-230V AC/DC	
	Green	Amber	Red	Green
Power Off	Off	Off	Off	Off
Power On Load De-energized	On	Off	On	Off
Power On Load Energized	On	On	Off	On
*SCP Mode Activated	Both Flashing		Both Flashing	

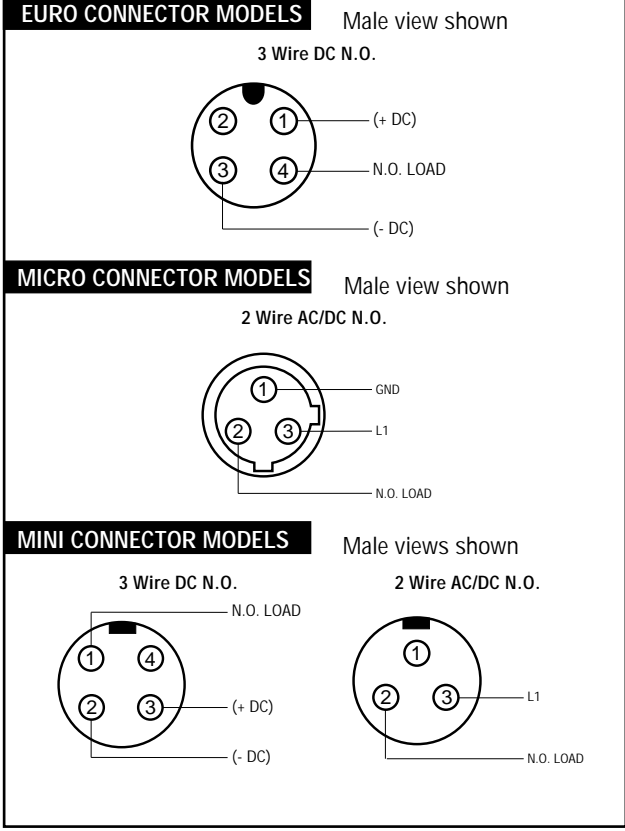
*Short Circuit Protection: If the sensor is shorted, the sensor's Short Circuit Protection (SCP) will be activated. When this occurs, both LEDs will flash and the sensor will limit current flow to about 2.0mA.

Dimensional Drawings



Proximity Sensors

Circuit Drawings



2013 West Meeting Street • Lancaster, SC 29720
 1-803-286-8491 • FAX: 1-800-678-6263
 www.namcocontrols.com

For technical assistance, call 1-800-NAMTECH