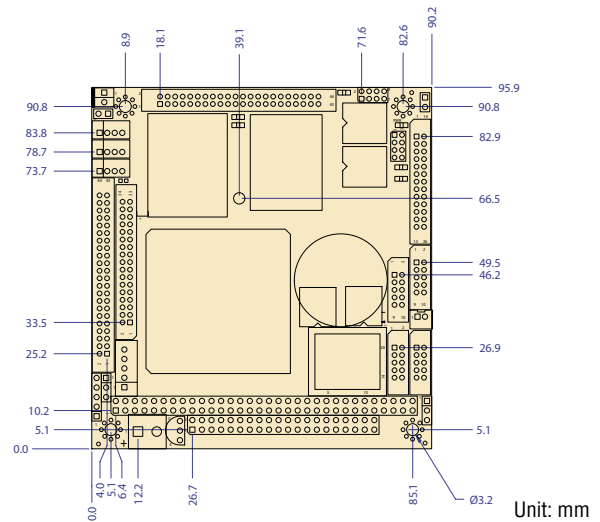
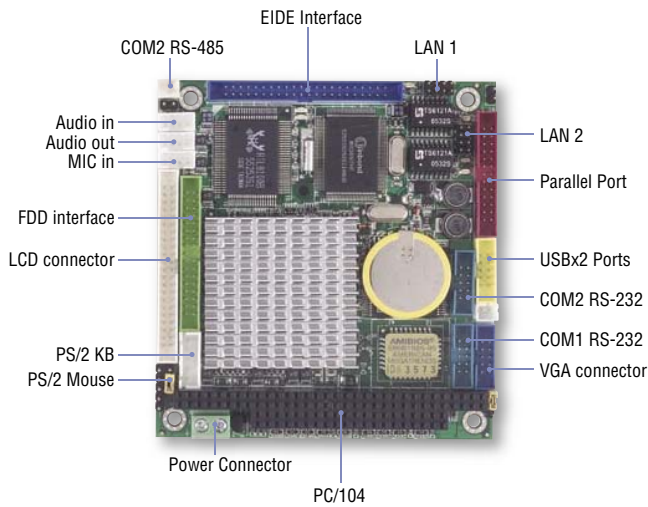


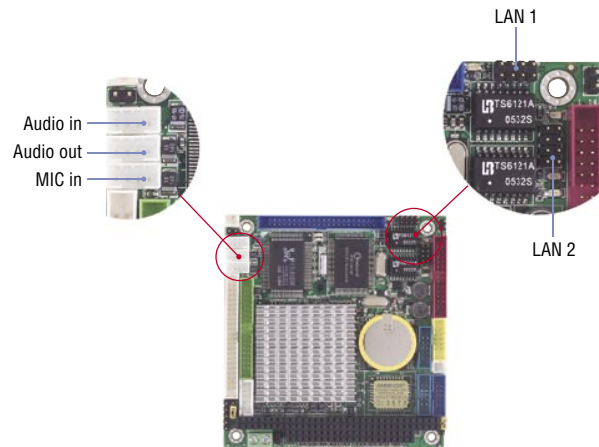
Vortex86-6074

128MB/2S/2USB/VGA/LCD/AUDIO/2LAN



Specifications

SoC	DM&P(SiS) Vortex86™ System-on-Chip CPU-166MHz Real Time Clock with Lithium Battery Backup
Bus	PC/104 standard compliant
BIOS	AMI BIOS
System Memory	Onboard 128MB SDRAM
Watchdog Timer	Software programmable from 4ms to 1hour
VGA	AGP Rev.2.0 compliant Shared system memory up to 64MB (Default 8 MB) Support resolution up to 1, 280 x 1, 024 true colors VGA and /STN/DSTN/TFT Flat Panel interface support
LAN	Realtek 8100B 10/100Mbps Ethernet Controller Half/Full duplex capability
Audio	Fully compliant with AC97 V2.1 Hardware DirectSound accelerator
Flash Disk Support	MSTI EmbedDisk Module (16MB and above) PQI DiskOnModule (16MB and above)
I/O Interface	Enhanced IDE port x1 FDD port x1 RS-232 port x1 RS-232/485 port x1 Parallel port x1 USB port x2 (Ver 1.1) 10/100Mbps Ethernet port x2
Connectors	2.0mm 44-pin box header for IDE x1 2.0mm 44-pin box header for LCD x1 2.0mm 34-pin box header for FDD x1 2.0mm 26-pin box header for Printer x1 2.0mm 10-pin box header for RS-232 x2 2.0mm 10-pin box header for USB x1 2.0mm 10-pin box header for VGA x1 2.0mm 8-pin header for Ethernet x2 2.54mm 5-pin box header for Keyboard x1 2.54mm 5-pin header for Mouse x1 2.0mm 4-pin wafer for Line-in/Line-out/MIC-in x3 2.54mm 2-pin header for RS-485 x1 2.54mm 2-pin header for Reset x1
Power Requirement	Single Voltage +5V@940mA
Weight	140g
Board Size	90 X 96mm (3.54 x 3.77 inches)
Operating Temperature	-20°C ~ +70°C



Packing List

- Vortex86-6074 x1
- CD for User's Manual & Driver x1
- Cable
 - HDD 44P (2.Q) x1
 - FDD (2.Q) x1
 - PRINT (2.Q) x1
 - RS-232 (2.Q) x2
 - VGA (2.Q) x1
 - NET 4x2 (2.Q) x2
 - USB (2.Q)x1
 - PS2 KB White x1
 - PS2 KB (TEST) Black x1
- Screw Kit x1

Ordering Information

- **Vortex86-6074** Vortex86 PC/104 CPU Module with 128MB
- **Vortex86-6074-64MB** Vortex86 PC/104 CPU Module with 64MB

- 1 Mity/Tiny Module
- 2 PC/104 Module
- 3 3.5"/ATX/EBX Module
- 4 Half-Size Module
- 5 Peripheral Module
- 6 Accessories