

PPC-1210/1212

12.1" TFT LCD Panel PC

Thin Thickness Design !!



Aluminum front panel is the best choice for severe environment. Plastic front panel provides a light and economical solution.

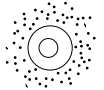


DC Input Power Adaptor Ready !!

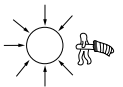


Option PCMCIA Module for WLAN Appliance

Protected against dust (no harmful deposit)



Protected against jets of water from all directions



Front Panel meet NEMA4/IP65 standard

SPECIFICATIONS

- **Thin Depth (70mm) design**
- **PPC-1210** Equipped with Wafer-5822 (NS GX-1 Embedded Compact Board)
- **PPC-1212** Equipped with Wafer-6820 (Transmeta Crusoe Embedded Compact Board)
- **Aluminum/Plastic made front panel, meet NEMA4 or IP65 standard**
- **12.1" high brightness TFT LCD.**
Resolution: 800x600
Brightness: 250 cd/m²
LCD MTBF: 50000 hrs
Backlight MTBF: 30000hrs
- **One 2.5" Internal HDD drive bay**
- **Standard equipped with one external power adaptor (+5V: 4A and +12V: 1.5A)**
- **Optional DC input power adaptor PSU-890 series**
- **Support Panel/Arm/Wall/Rack Mounting feature**
- **I/O: 1x LAN; 2x RS-232; 2 x USB ; 1x VGA ; 1x PS/2 and 1x Audio (in/ out/MIC)**
- **Operation Temp: 0-50°C**
- **Relative Humidity: 5-95%, non-condensing.**
- **Vibration:**
5~17 Hz, 0.1" double amplitude displacement
17~640 Hz, 1.5G acceleration peak to peak.
- **Shock: 10G acceleration peak to peak. (11ms)**
- **Color: Dark Blue (Pantone-433C), White (Pantone-413C)**
- **Net/GW: 2/5 (kg)**



Wafer-5822

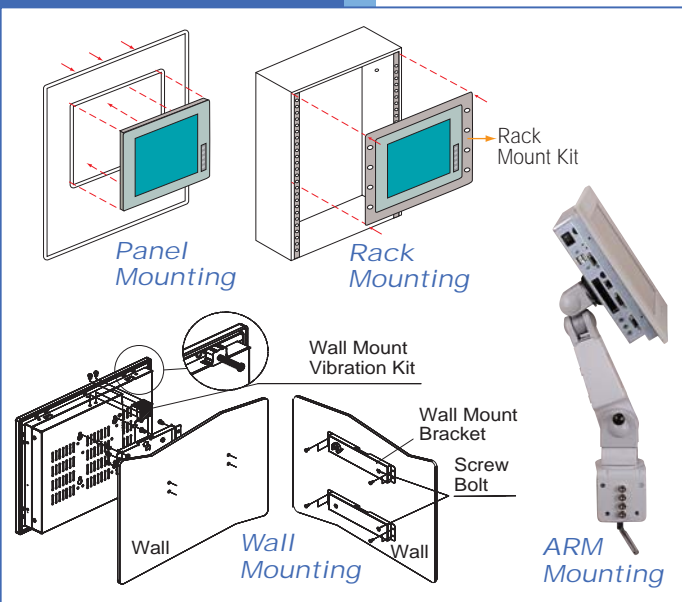


Wafer-6820

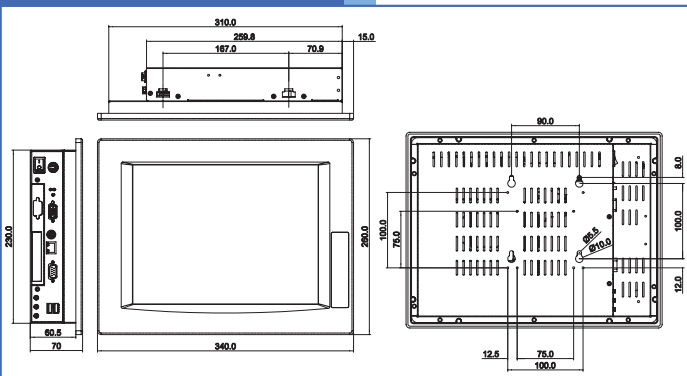
ORDERING INFORMATION

- **PPC-1210 [C]-R2/Wafer-5822/128MB/[P]**
12.1" plastic made front panel PC with Wafer-5822/128MB SBC
 - **PPC-1210AL [C]-R2/Wafer-5822/128MB/[P]**
12.1" aluminum made front panel PC with Wafer-5822/128MB SBC
 - **PPC-1212 [C]-R2/Wafer-6820-400/SDM-128SD-100-A/[P]**
12.1" plastic made front panel PC with Wafer-6820-400/128MB SBC
 - **PPC-1212AL [C]-R2/Wafer-6820-400/SDM-128SD-100-A/[P]**
12.1" aluminum made front panel PC with Wafer-6820-400/128MB SBC
 - **PPC-1212 [C]-R2/Wafer-6820-600/SDM-128SD-100-A/[P]**
12.1" plastic made front panel PC with Wafer-6820-600/128MB SBC
 - **PPC-1212AL [C]-R2/Wafer-6820-600/SDM-128SD-100-A/[P]**
12.1" aluminum made front panel PC with Wafer-6820-600/128MB SBC
- [C]** : Color Code D: Dark Blue (Pantone-433C) ; W: White (Pantone-413C)
[P] : Power Code None: With one external AC input power adaptor
P : **PSU-890P**: 100V DC input 90W industrial power adaptor
T : **PSU-890T**: 48V DC input 90W industrial power adaptor
C : **PSU-890C**: 24V DC input 90W industrial power adaptor
V : **PSU-890V**: 12V DC input 75W industrial power adaptor
- Option:** Touch Screen – T-R121B (12.1" Resistive type touch screen)
 – T-C121 (12.1" Capacity type touch screen)

PM-1038 – 2 slot PCMCIA PC/104 module
 RK-121 – Rack mount kit
 ARM-11 – flat panel monitor arm



Dimensions



Contact us for other Wafer series products