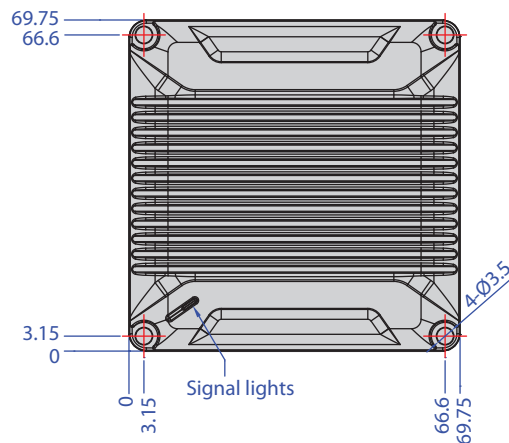
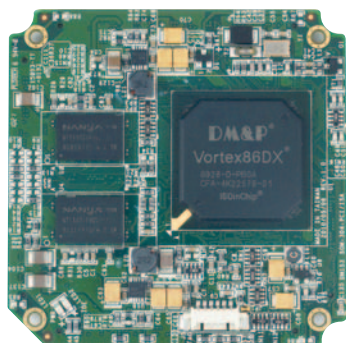


VDX-304RD-PI-B



Unit: mm

Specifications

SoC	DM&P SoC CPU Vortex86DX- 800MHz Real Time Clock with Lithium Battery Backup
Cache	L1:16K I-Cache, 16K D-Cache,L2 Cache 128KB
Bus	PCI,ISA bus standard compliant
BIOS	AMI BIOS
System Memory	256 / 512MB Onboard
Watchdog Timer	Software programmable from 30.5 μ sec.to 512 sec. x 2 sets (Watchdog 1 fully compatible with M6117D)
LAN	Integrated 10/100Mbps Ethernet
Flash Disk Support	Onboard 4MB SPI Flash Disk Onboard 512MB SST Flash Disk (1GB/2GB/4GB are Optional) MSTI EmbedDisk Module (16MB and above) 44-pin IDE to Micro SD (Optional)
PWM	24~32 Channels
I2C	Controlled by GP 34/35
Serial Console	Controlled by GP 36/37
I/O interface	Enhanced IDE port (UltraDMA-100/66/33) x1 RS-232 port x4 USB port (Ver2.0) x4 Parallel port x1 16-bit GPIO port x2 10/100Mbps Ethernet port x1
Connector	1.27mm 76-pin box header for signal x4 1.25mm 6-pin wafer for JTAG x1
Power Requirement	Single Voltage +5V @ 480mA
Weight	25g
Board Size	66mm (L) x 66mm (W)
Operating Temperature	-20°C ~ +70°C -40°C ~ +85°C (Optional)

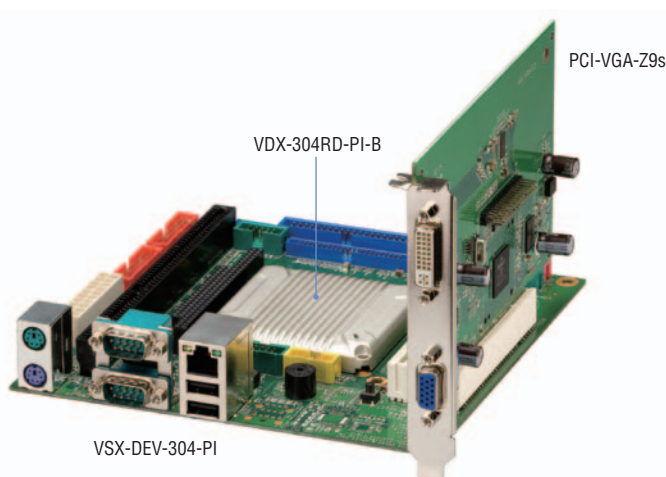
Packing List

- VDX-304RD-PI-B x1

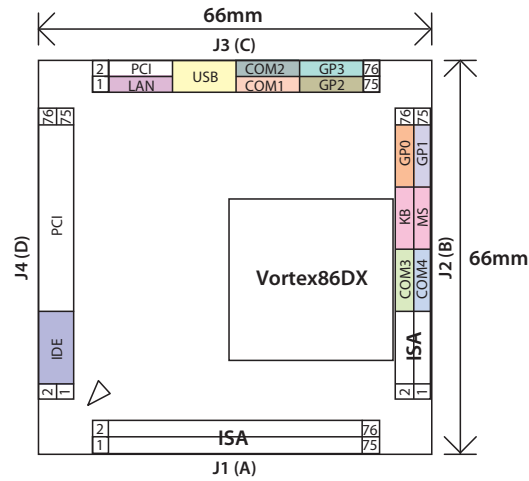
Ordering Information

- **VDX-304RD-PI-B** Vortex86DX DIP-304pin CPU Module with 256MB DDR2
- **VDX-304RD-PI-B5** Vortex86DX DIP-304pin CPU Module with 512MB DDR2
- **VSX-DEV-304-PI** VDX-304RD-PI-B Development board
- **PCI-VGA-Z9s** XGI Z9s VGA/DVI PCI Display Board

VSX-DEV-304-PI Development Kit



VDX-304RD-PI-B



VDX-304RD-PI-B Signal Assignment

J1(A)		J2(B)		J3(C)		J4(D)									
Pin	Signal Name	Pin	Signal Name	Pin	Signal Name	Pin	Signal Name								
1	GND	2	IOCHCK	1	DRQ6	2	LA17	1	PGNT-1	2	AD31	1	IDERST	2	IDED8
3	RSTDRV	4	SD7	3	DACK7	4	MEMR	3	PGNT-0	4	PREQ-2	3	IDED7	4	IDED9
5	IRQ9	6	SD6	5	DRQ7	6	MEMW	5	PCICLK3	6	PREQ-1	5	IDED6	6	IDED10
7	DRQ2	8	SD5	7	SD8	8	SD9	7	PCICLK2	8	PREQ-0	7	IDED5	8	IDED11
9	OWS	10	SD4	9	SD10	10	SD11	9	PCICLK1	10	PCIRST-	9	IDED4	10	IDED12
11	SMEMW	12	SD3	11	SD12	12	SD13	11	INT-A	12	INT-D	11	IDED3	12	IDED13
13	SMEMR	14	SD2	13	SD14	14	SD15	13	INT-C	14	INT-B	13	IDED2	14	IDED14
15	IOW	16	SD1	15	GPCS0	16	GPCS1	15	GND	16	LINK/ACTIVE	15	IDED1	16	IDED15
17	IOR	18	SD0	17	GND	18	GND	17	LANTX-	18	LANRX-	17	IDED0	18	IDECBLID
19	DACK3	20	IOCHRDY	19	CTS3\	20	DSR3\	19	LANTX+	20	LANRX+	19	IDEREQ	20	IDESAO
21	DRQ3	22	AEN	21	DTR3\	22	RXD3\	21	DUPLEX	22	VCC3-OUT	21	IDEIOW	22	IDESA1
23	DACK1	24	SA19	23	RI3\	24	RTS3\	23	GND	24	GND	23	IDEIOR	24	IDESA2
25	DRQ1	26	SA18	25	TXD3\	26	DCD3\	25	USB03-	26	USB02-	25	IDERYD	26	IDECS0
27	REFRESH	28	SA17	27	CTS4\	28	DSR4\	27	USB03+	28	USB02+	27	IDEACK	28	IDECS1
29	GND	30	SA16	29	DTR4\	30	RXD4\	29	USB01-	30	USB00-	29	IDEINT	30	AIDELED
31	SYSCLK	32	SA15	31	RI4\	32	RTS4\	31	USB01+	32	USB00+	31	GND	32	GND
33	IRQ7	34	SA14	33	TXD4\	34	DCD4\	33	GND	34	GND	33	AD0	34	AD1
35	IRQ6	36	SA13	35	PPD0	36	PSTB-	35	CTS2\	36	DSR2\	35	AD2	36	AD3
37	IRQ5	38	SA12	37	PPD1	38	PAFD-	37	DTR2\	38	RXD2\	37	AD4	38	AD5
39	IRQ4	40	SA11	39	PPD2	40	PERROR-	39	RI2\	40	RTS2\	39	AD6	40	AD7
41	IRQ3	42	SA10	41	PPD3	42	PINIT-	41	TXD2\	42	DCD2\	41	CBE-0	42	AD8
43	DACK2	44	SA9	43	PPD4	44	PSLIN-	43	TXDEN2	44	TXDEN1	43	AD9	44	AD10
45	TC	46	SA8	45	PPD5	46	PACK-	45	CTS1\	46	DSR1\	45	AD11	46	AD12
47	BALE	48	SA7	47	PPD6	48	PBUSY	47	DTR1\	48	RXD1\	47	AD13	48	AD14
49	OSC	50	SA6	49	PPD7	50	PPE	49	RI1\	50	RTS1\	49	AD15	50	CBE-1
51	MEMCS16	52	SA5	51	GND	52	PSLCT	51	TXD1\	52	DCD1\	51	PAR	52	DEVSEL-
53	IOCS16	54	SA4	53	RESET	54	GND	53	GND	54	GND	53	STOP-	54	IRDY
55	IRQ10	56	SA3	55	MSCLK	56	KBCLK	55	GP30	56	GP31	55	GND	56	GND
57	IRQ11	58	SA2	57	MSDATA	58	KBDATA	57	GP32	58	GP33	57	TRDY-	58	CBE-2
59	IRQ12	60	SA1	59	VBATT	60	SPEAKER	59	GP34	60	GP35	59	FRAME-	60	AD17
61	GND	62	SA0	61	GP00	62	GP01	61	GP36	62	GP37	61	AD16	62	AD19
63	IRQ15	64	SBHE	63	GP02	64	GP03	63	GP20	64	GP21	63	AD18	64	AD21
65	IRQ14	66	LA23	65	GP04	66	GP05	65	GP22	66	GP23	65	AD20	66	AD23
67	DACK0	68	LA22	67	GP06	68	GP07	67	GP24	68	GP25	67	AD22	68	CBE-3
69	DRQ0	70	LA21	69	GP10	70	GP11	69	GP26	70	GP27	69	AD24	70	AD25
71	DACK5	72	LA20	71	GP12	72	GP13	71	GND	72	GND	71	AD26	72	AD27
73	DRQ5	74	LA19	73	GP14	74	GP15	73	VCC	74	KEY1	73	AD28	74	AD29
75	DACK6	76	LA18	75	GP16	76	GP17	75	VCC	76	KEY0	75	PGNT-2	76	AD30

- 1** µProcessor Module
- 2** Tiny Module
- 3** PC/104 CPU module
- 4** Half-Size CPU module
- 5** 3.5" CPU module
- 6** Peripheral Module
- 7** Display Product Series
- 8** Accessories & Technical Information