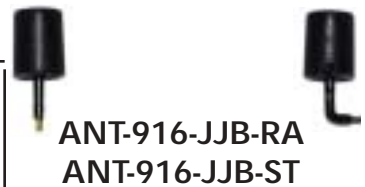


QUICK DATA SHEET



JJB Series Ultra-Compact Antenna



DESCRIPTION

The JJB-Series packs near the performance of a conventional monopole into an incredibly compact 7mm-diameter package. These antennas are ideal for any OEM application requiring a compact, cosmetically attractive, low-cost antenna solution. The antenna features a through-hole feedline which attaches directly to a user's PCB. Internal or external mounting is possible.

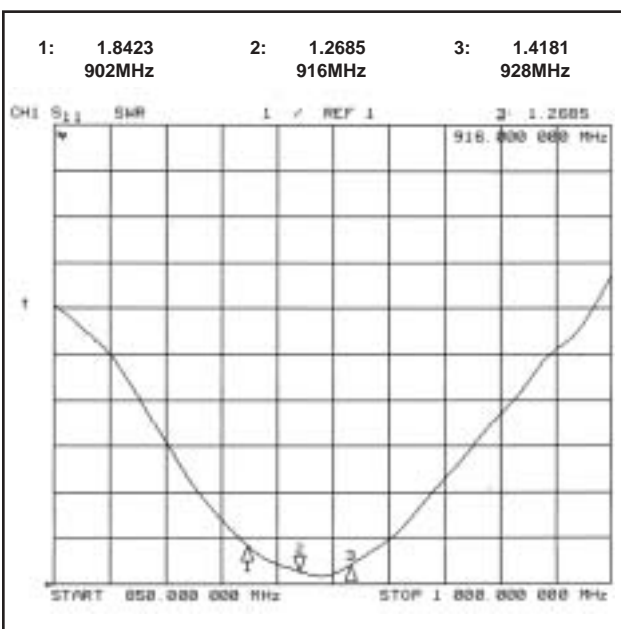
FEATURES

- Ultra-Compact
- Very Low Cost
- High-Performance (-1dBi Typical)
- Low VSWR (<2.0)
- Good Usable Bandwidth (900-930MHz)
- Easily Concealed Internally
- Direct PCB Mount

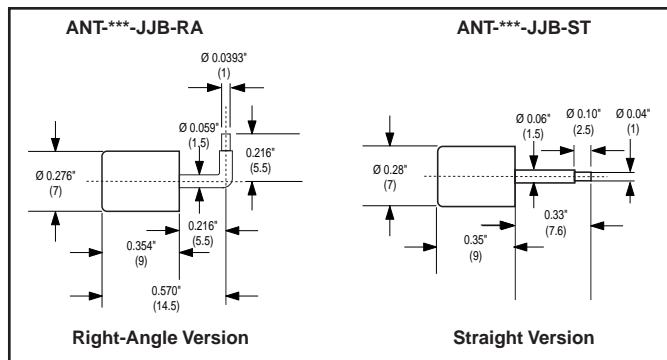
ORDERING INFORMATION

PART #	DESCRIPTION
ANT-***-JJB-RA	JJB Perm. Ultra-Miniature
ANT-***-JJB-ST	Straight version of JJB
***= 868, 916-(902-928MHz)	

TYPICAL SWR



PHYSICAL DIMENSIONS

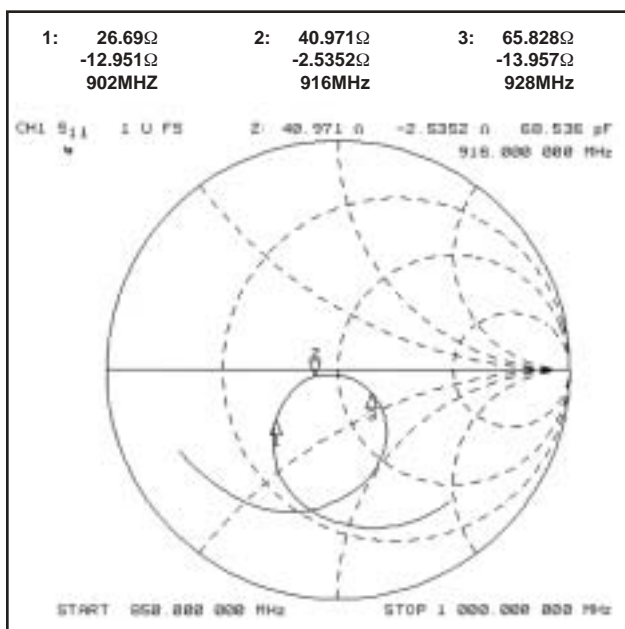


NOTE: For hand application only. Flux Feed-Pin prior to soldering. Solder quickly to avoid damage.

SPECIFICATIONS

Wavelength:	1/4 Wave
Designed for Match:	50Ω
Typical VSWR:	Center <1.7 Over Bandwidth <2.1
Typical Center:	916MHz
Usable Bandwidth:	30MHz (900-930MHz)
Typical Gain (Relative to Isotropic) Element:	-1dBi Precision Helical

SMITH CHART



All measurements made using 1.5" x 3.5" groundplane counterpoise.

For additional information: Linx Technologies 1-800-736-6677

This is a preliminary data sheet. Recipient understands any or all of the above specifications are subject to change without notice and proceeds with integration at own risk.