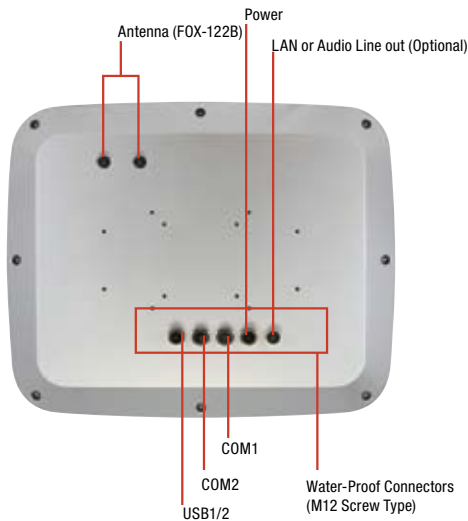


FOX-122/ 122B

IP-65/67 12.1" Multi-Purpose & Water-Proof Panel PC With Intel® Core™ 2 Duo Processor

FOX-122B(IP-67)



FOX-122(IP-65)



Features

- Onboard Intel® Core™ 2 Duo Processor
- IP-65 Water-Proof Sealing Enclosure
- Marine Standard Test Procedure: IEC60945 ed.4 Compliant
- Anti-Fog Design: Optical Bonding
- 12.1" 500 Nits XGA CCFL Backlight (FOX-122BHBT)
- 12.1" 1000 Nits XGA LED Backlight (FOX-122BSTT)
- Wide Temperature Support: -20°C ~ 55°C
- Backlight On/Off & Brightness Adjustment
- Optional Water-Proof WiFi/ GPRS/ GPS Connector

Note: IEC60945 ed.4 Compliant with the conditions: 8.2.1/ 8.2.2/ 8.3/ 8.4.2.6/ 8.7/ 8.8



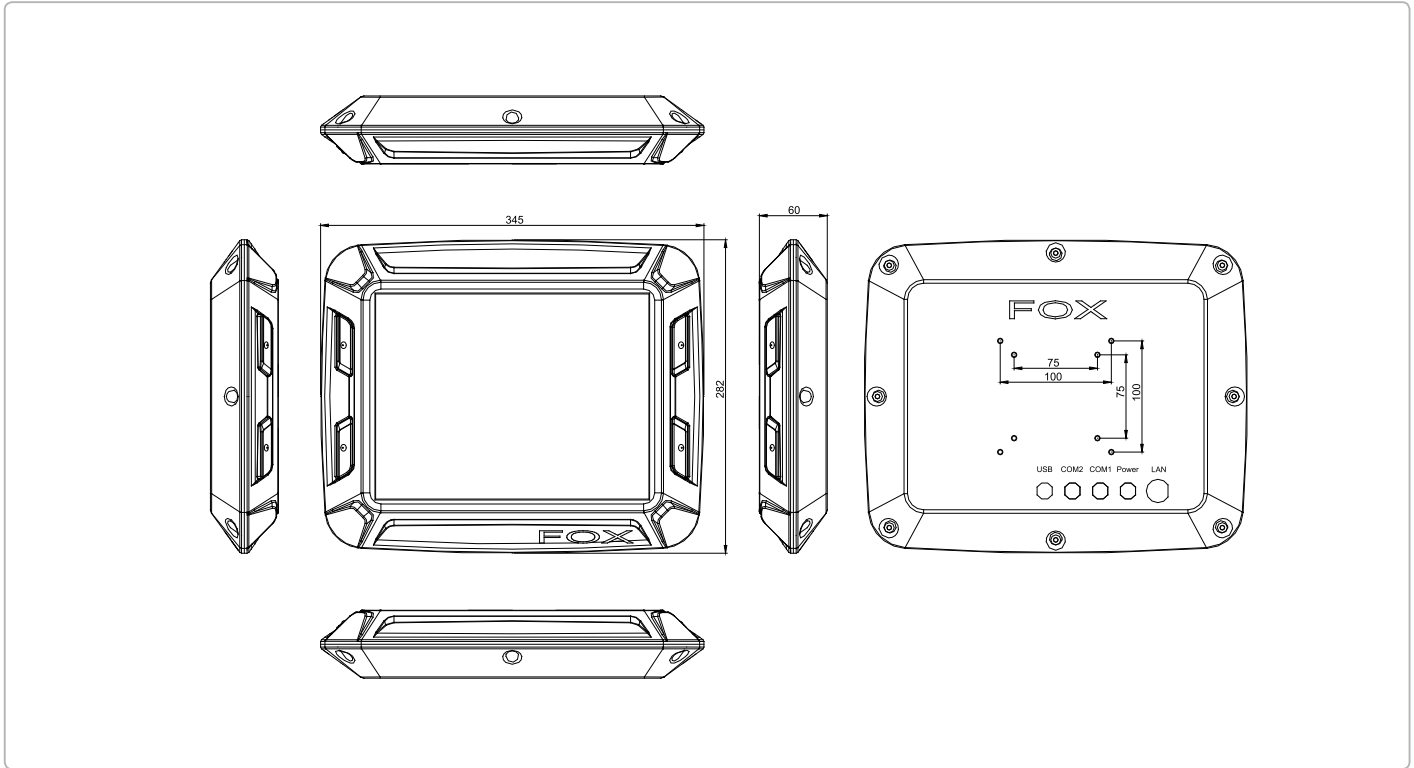
Specifications

System		
Processor	Intel® Core™ 2 Duo U7500 1.06 GHz Processor	
System Memory	DDR 2 SODIMM x 1, Max. 2 GB	
LCD/CRT Controller	Intel® 945GM	
Ethernet	GbE LAN, RJ-45 x 1 (optional)	
I/O Port	RS-232 x 1, RS-232/422/485 x 1, USB2.0 x 2 Audio Line-out (optional)	
Storage Disk	SATA 2.5" Hard Disk Drive bay (Anti-vibration)/ CompactFlash™ (internal)	
Expansion Slot	Mini-PCI Slot x 1 (internal)	
OS Support	Windows® 2000, Windows® XP Pro for Embedded, Windows® XP Embedded, Windows® 7	
Mechanical		
Construction	Sealed Aluminum Alloy chassis	
Color	Silver Gray	
Mounting	VESA 100/ 75mm	
Dimension	13.58" x 11.1" x 2.36" (345mm x 282mm x 60mm)	
Carton Dimension	20.24" x 9.72" x 20.71" (514mm x 247mm x 526mm)	
Gross weight	12.1 lb (5.5 Kg)	
Net Weight	9.9 lb (4.5 Kg)	
Environmental		
Operating Temperature	-4°F ~ 1310F (-20°C ~ 55°C)	
Storage Temperature	-22°F ~158°F (-30°C ~ 70°C)	
Operating Humidity	10 to 90%@ 400C, non-condensing	
Vibration	3G Random Operation, 5~500Hz	
Shock	15G peak acceleration (11m sec. duration) / operation	
Safety	All sides of IP-65 certificated	
EMC	CE/FCC Class A	
Power Supply		
DC-DC input	Input Range: 9V ~ 30V DC	
LCD		
	FOX-122	FOX-122B
Display Type	12.1" TFT- LCD	12.1" TFT- LCD
Max. Resolution	800 x 600	1024 x 768
Max. Color	262K colors	16.7M
Dot Size	0.3075 x 0.3075	HTT: 0.3075 x 0.3075 STT: 0.240 x 0.240
Luminance (Typical)	450 cd/m ²	HTT: 500 STT: 1000
View Angle	140°(H)/110°(V)	HTT: 160°(H)/160°(V) STT: 160°(H)/140°(V)
Back Light MTBF (Hours)	50,000	HTT: 50,000 STT: 60,000

FOX-122/ 122B

Dimension

Unit: mm



Touchscreen	
Type	8-wire, Low Reflection Analog Resistive/ 5-wire, Analog Resistive
Resolution	2048 x 2048
Light Transmission	> 76% (8-wire analog resistive) > 80% (5-wire analog resistive)
Lifetime	2 million activations (8-wire analog resistive) 35 million activations (5-wire analog resistive)

Ordering Information

- TF-FOX-122ST-A1-1011**
 Intel® Core™ 2 Duo 1.06 GHz MPWP Panel PC with 12" LCD, 1 GB RAM, GbE LAN
- TF-FOX-122ST-B1-1011**
 Intel® Core™ 2 Duo 1.06 GHz MPWP Panel PC with 12" LCD, 1 GB RAM, Line out
- TF-FOX-122HTT-A1-1011**
 Intel® Core™ 2 Duo 1.06 GHz MPWP Panel PC with 12" LCD, 1 GB RAM, GbE LAN, Touch Screen
- TF-FOX-122HTT-B1-1011**
 Intel® Core™ 2 Duo 1.06 GHz MPWP Panel PC with 12" LCD, 1 GB RAM, Line out, Touch Screen
- TF-FOX-122STT-A1-1011**
 Intel® Core™ 2 Duo 1.06 GHz MPWP Panel PC with 12" LCD, 1 GB RAM, GbE LAN, L/R Touch Screen
- TF-FOX-122STT-B1-1011**
 Intel® Core™ 2 Duo 1.06 GHz MPWP Panel PC with 12" LCD, 1 GB RAM, Line out, L/R Touch Screen
- TF-FOX-122BHTT-A1-1010**
 MPWP Panel PC, Intel® Core™ 2 Duo 1.06GHz, 12.1" 500 nits with Bonding, DC 24V, R-TS, 1 GB RAM, LAN
- TF-FOX-122BHTT-A2-1010**
 MPWP Panel PC, Intel® Core™ 2 Duo 1.06GHz, 12.1" 500 nits with Bonding, DC 24V, R-TS, 1 GB RAM, LAN, 1 Antenna
- TF-FOX-122BHTT-A3-1010**
 MPWP Panel PC, Intel® Core™ 2 Duo 1.06GHz, 12.1" 500 nits with Bonding, DC 24V, R-TS, 1 GB RAM, LAN, 2 Antennas
- TF-FOX-122BSTT-A1-1010**
 MPWP Panel PC, Intel® Core™ 2 Duo 1.06GHz, 12.1" 1000 nits with Bonding, DC 24V, R-TS, 1 GB RAM, LAN

- TF-FOX-122BSTT-A2-1010**
 MPWP Panel PC, Intel® Core™ 2 Duo 1.06GHz, 12.1" 1000 nits with Bonding, DC 24V, R-TS, 1 GB RAM, LAN, 1 Antenna
- TF-FOX-122BSTT-A3-1010**
 MPWP Panel PC, Intel® Core™ 2 Duo 1.06GHz, 12.1" 1000 nits with Bonding, DC 24V, R-TS, 1 GB RAM, LAN, 2 Antennas

Accessories in Packing

- 1700090208**
 COM (D-SUB) Cable with Waterproof M12 Connector (FOX series)
- 1709080251**
 Two USB Y Cables with Waterproof M12 Connector (FOX series)
- M990FOX001**
 3-pin Water-proof Cap Connector for DC-in or Audio Line-out Port (FOX series)
- P990FOX001**
 Water-proof Cap Connector for LAN Port of FOX series (RJ-45-compliance)

Optional Accessories

- 9761F15000 (FOX-122)**
 Wireless LAN Kits with Internal Antenna
- 1757910004**
 AC Adapter (100W)
- 1702031802**
 Power Cord (US Type) For Adapter
- 1702031803**
 Power Cord (European Type) for Adapter
- 170203180E**
 Power Cord (Japanese Type) for Adapter
- 9761F12100 (FOX-122B)**
 GPRS/GPS Kit
- 9761F15000 (FOX-122B)**
 WiFi Kit, 802.11 b/g