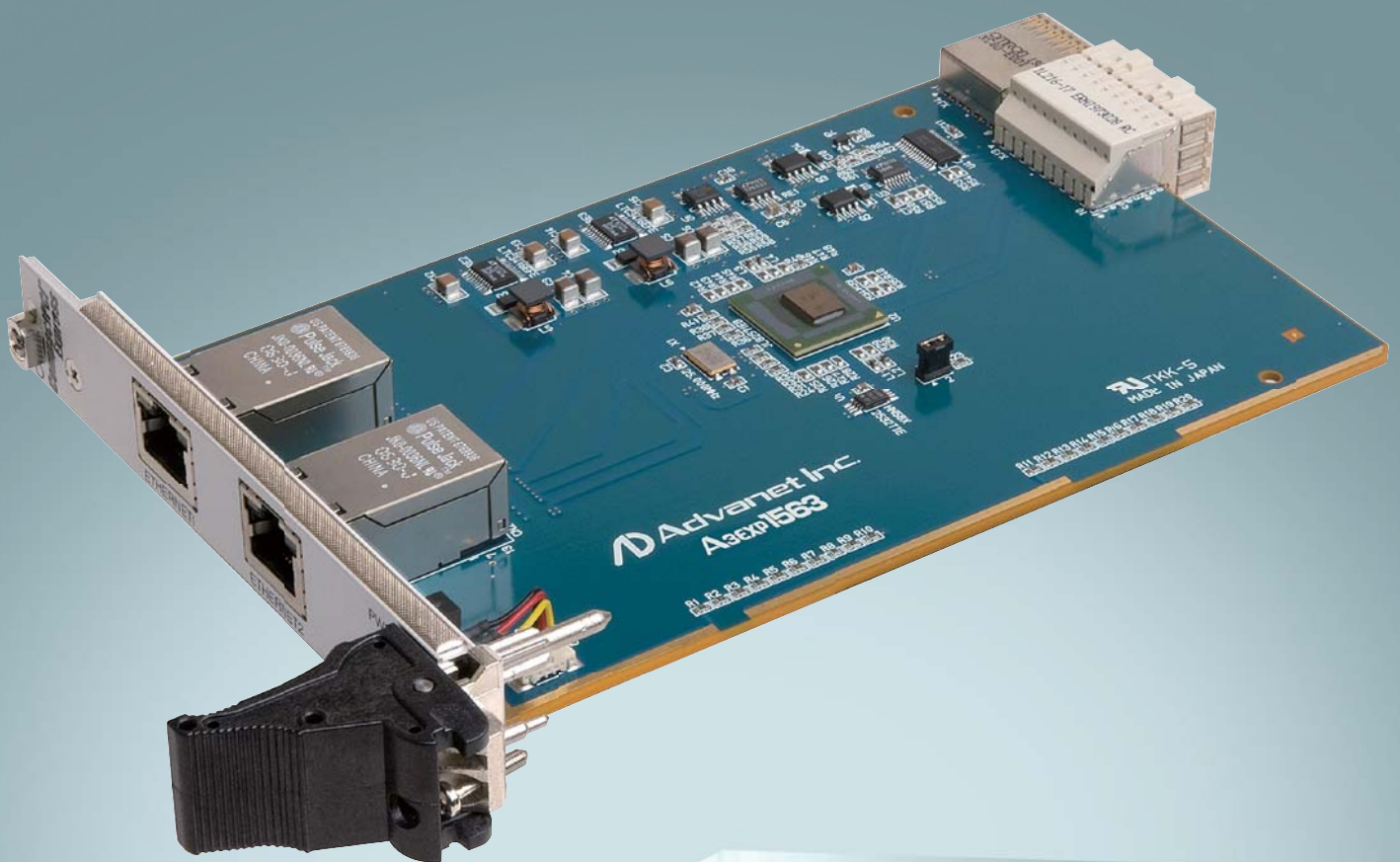


# A3EXP1563

cPCIe 2ch Gigabit Ethernet Board

CompactPCI Express-compatible  
10/100/1000Base-T Ethernet x2



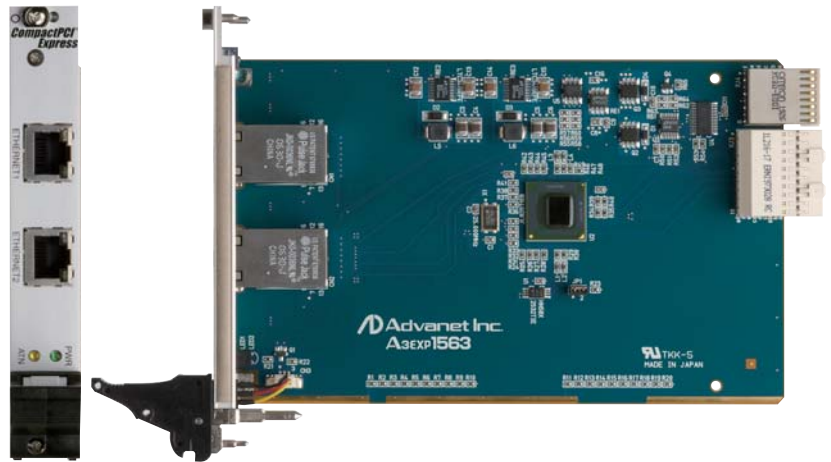
## CompactPCI Express 2ch Gigabit Ethernet Board

### Overview

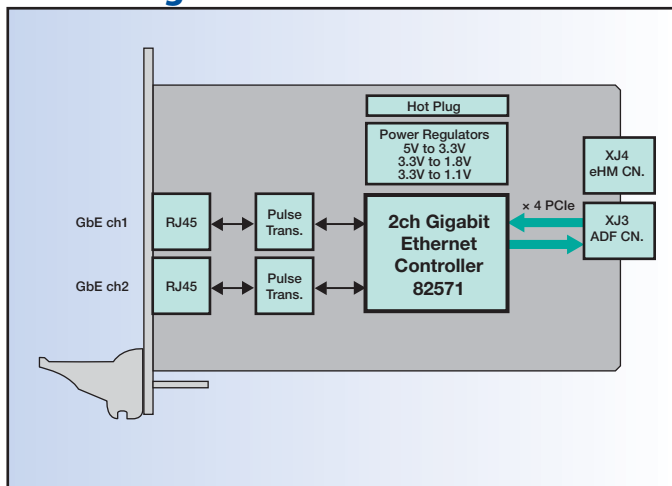
The A3EXP1563 is a Gigabit Ethernet board that supports the CompactPCI Express standard and is equipped with two 10/100/1000 Base-T Ethernet ports. Peripheral board Type 2 is adopted as a CompactPCI Express board that can be used for ×4 and ×1 lanes. The front panel is compatible with 6U and 3U and 1-slot width.

### Features

- Two 10/100/1000 Base-T Ethernet ports
- Intel 82571EB Ethernet controller
- Integrated 48kB transceiver packet buffer (for each channel)
- Supports 9kB jumbo frames
- Supports auto MDI-X
- WOL-compatible board that is capable of wake-up signal output upon reception of magic packets (Only available when standby power is supplied)



### Block Diagram



### Specifications

#### Ethernet

Number of channels : 2ch  
 Communications speed : 10Mbps,100Mbps,1000Mbps  
 Communications standard : IEEE802.3 10Base-T,100Base-TX, 1000Base-T compliant  
 Ethernet Controller : Intel 82571EB  
 Connectors : 8pin modular connector×2

#### CompactPCI Express

Standards : PICMG EXP.0 R1.0 Specification  
 PCI Express Base Specification Rev 1.0a  
 PCI Express Card Electromechanical Specification Rev 1.0a  
 Slot Type : Type1 Peripheral Slot, Type2 Peripheral Slot, Hybrid Slot  
 Lane width : × 4 or × 1  
 eHM key : Female 5  
 Misc : ESD discharge strip support  
**Supply voltage** : 5V±5% (Supplied from backplane)  
**Consumption current** : 1.0A (max)  
**Form factor** : 6U or 3U, 1 slot width (160×100mm)

Please consult us regarding your specific custom requirements

Note: The following specifications and product appearance are subject to change for enhancement without notice.



Headquarters ..... 616-4, Tanaka, Okayama 700-0951 JAPAN ..... TEL +81-86-245-2861 FAX +81-86-245-2860  
 Tokyo Branch ..... KDX Kaji-cho 4F, 3-5-2 Kanda Kaji-Cho, Chiyoda-ku, Tokyo 101-0045 JAPAN ..... TEL +81-3-5294-1731 FAX +81-3-5294-1734  
 Kobe R&D Center ..... Misaki U 2F, 1-2-1 Misaki-cho, Hyogo-ku, Kobe City, Hyogo Pref. 652-0855 JAPAN ..... TEL +81-78-652-8100 FAX +81-78-652-8177