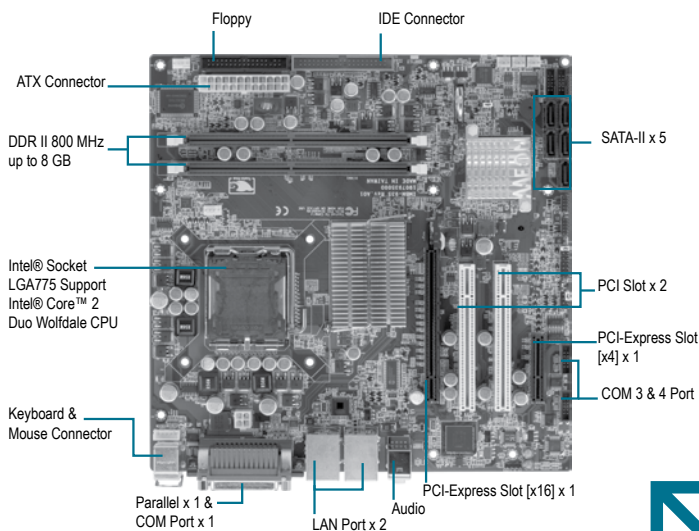


## Industrial Motherboard with Intel® Core™ 2 Duo/ Wolfdale Processor up to 2.13GHz Core™ 2 Duo/ Wolfdale/ PCI-Express [x4] Slot/ Socket LGA775/ RAID Support



### Features

- Intel® Core™ 2 Duo / Wolfdale LGA775 CPU up to 2.13GHz, FSB 800/1066/1333 MHz
- DDR II 800/667 Memory Support up to 4GB
- Integrated Intel® Enhanced Graphics Core, VGA Support
- 10/100/1000Base-TX Ethernet x 2
- PCI-E [x16] x 1/ PCI-E [x4] x 1/ PCI Slot x 2
- USB 2.0 x 8/ RS-232/422/485 x 1/ RS-232 x 3/ Parallel x 1/ IrDA Port x 1/ SATA-II Port x 5
- Watchdog Function 1~255 Sec.
- Intel® AMT with Circuit Breaker (Optional)



### Specifications

System	
Form Factor	uATX Motherboard Board
Processor	Intel® Core™ 2 Duo / Wolfdale LGA775 CPU up to 2.13GHz, FSB 800/1066/1333 MHz
System Memory	240-Pin 1.8V DDR II 667/800 DIMM Socket x 2, total up to 4GB
Chipset	Intel® Q35 + ICH9R (ICH9DO optional)
Ethernet	PCI Express x1 10/100/1000Mb LAN optional, RJ-45 x 2 LAN1: Dual Footprint support option Intel® 82566 Nineveh 10/100/1000 Intel® 82562 Ekron-N 10/100 LAN2: Intel® PCI-E controller 82573
BIOS	Award Plug & Play SPI Flash BIOS – 16Mb ROM
H/W Status Monitoring	N/A
IDE Interface	SATA-II (RAID optional) x 5, IDE slot with JMicon JM20330 x 1
PCI Interface	32bit/33MHz PCI x 2, PCI Express [x4] x 1, PCI Express [x16] x 1
Expansion Interface	PCI, PCI-Express
Watchdog Timer	1~255 step, can be set with software on Super I/O
RTC	Internal RTC
Battery	Lithium Battery
Power Requirement	ATX 12V
Board Size	9.6" (L) x 9.6" (W) (244mm x 244 mm)
Gross Weight	0.71lb (0.3Kg)
Operating Temperature	32°F~ 140°F (0°C ~ 60°C)
MTBF (Hours)	---
Power Consumption (Typical)	66W, with Core™ 2 Duo E6400 2.13GHz/ FSB1066MHz/ 2MB L2 Cache
Display	
VGA Controller	Enhanced Integrated Graphics
Memory	Shared memory up to 256M
Resolutions	Up to 1280x1024x32bpp at 60MHz for CRT
LCD Interface	N/A
I/O	
Serial Port	ITE-8712 COM ports x 4: (Internal Pin Header x 3, External D-sub x 1) COM 1,3,4: RS-232 COM 2: RS-232/ RS-422/ RS-485,
Parallel Port	Supports SPP/EPP/ ECP mode
Universal Serial Bus	USB 2.0 Ports onboard x 8, 5x2 pin header for internal x 2, TYPE-A Connector onboard x 4
Floppy Drive Interface	Standard FDD port x 1, supports up to one floppy device
Keyboard and Mouse	Mini-DIN PS/2 K/B and Mouse connector x 1 Internal keyboard pin header x 1
IrDA	Supports One IrDA header
Audio	Realtek ALC 662, Audio Codec, MIC-in/ Line-in/ Line-out/ CD-in

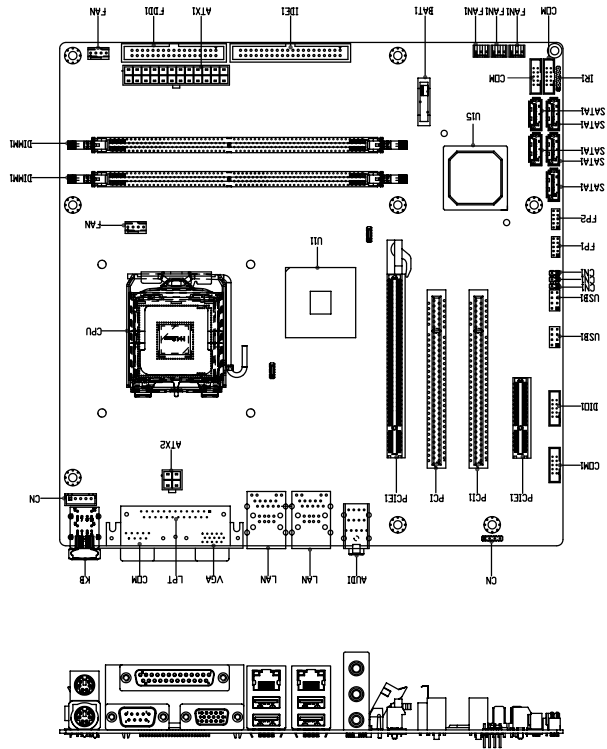
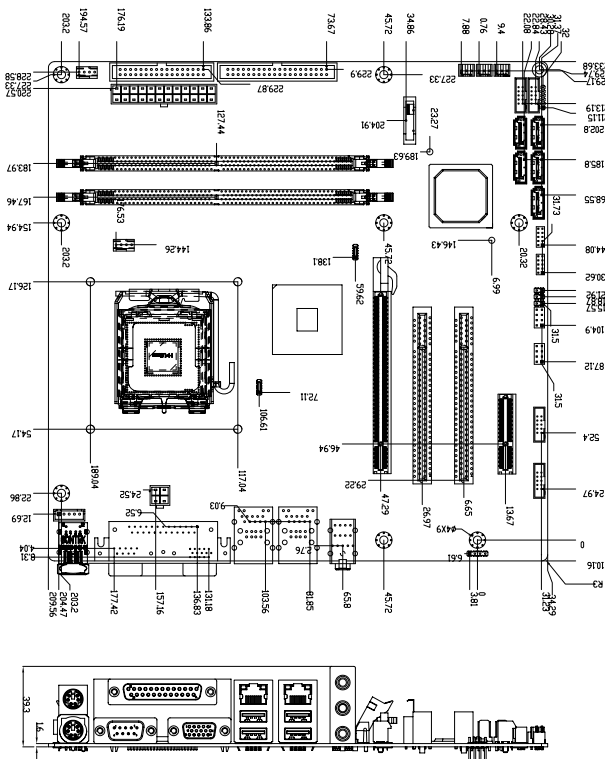
### Packing List

- 1701340704  
Floppy Cable
- 1701400453  
ATA-100 Cable
- 1701100305  
Serial Port Cable with One DB-9 Connector
- 1701200301  
Serial Port Cable with Two DB-9 Connectors
- 1709100201  
USB Cable w/ Bracket
- 1709070780  
SATA Cable x 4
- 1759200161  
CPU Cooler Fan for LGA 775 Pentium® 4 3.6G
- Quick Installation Guide
- CD-ROM for manual (in PDF format) and drivers
- IMBM-935 Industrial Motherboard

### Ordering Information

- TF-IMBM-935-A10-RF**  
Industrial uATX M/B, LGA775, Core™ 2 Duo/ Wolfdale CPU, VGA, GbE LAN x 2, CF, PCI x 2, PCI-E [x4] x 1, SATA II x 5, RAID, AMT, Rev A1.0
- TF-IMBM-935-A10-VE**  
Industrial uATX M/B, LGA775, Core™ 2 Duo/ Wolfdale CPU, VGA, 10/100 LAN x 1, CF, PCI x 2, PCI-E [x4] x 1, SATA-II x 5, RAID, Rev A1.0
- TF-IMBM-935-A10-VG**  
Industrial uATX M/B, LGA775, Core™ 2 Duo/ Wolfdale CPU, VGA, GbE LAN x 1, CF, PCI x 2, PCI-E [x4] x 1, SATA-II x 5, RAID, Rev A1.0
- TF-IMBM-935-A10-G2**  
Industrial uATX M/B, LGA775, Core™ 2 Duo/ Wolfdale CPU, VGA, GbE LAN x 2, CF, PCI x 2, PCI-E [x4] x 1, SATA-II x 5, RAID, Rev A1.0

## Dimension Unit: mm



## Passive Backplane Options

- N/A

## Optional Accessories

- 1759200162  
CPU Cooler Fan for LGA 775 Pentium® 4 3.8GHz, 3P, 12V, Dual Ball Bearing

## Chassis Options

Model Name	Description	Remark
TF-ARC-645M-B	Rackmount 4U Chassis Bare.for Motherboard, PS2 Power, PS_SW(ATX), Black	
TF-ARC-640M-W	Rackmount 4U Chassis Bare, for Motherboard & PS2 Power, PS_SW(ATX), Black	
TF-ARC-636M-B	Rackmount 3U Chassis Bare, for Motherboard & Power 3U, PS_SW(ATX), Black	
TF-ARC-635M-B	Rackmount 3U Chassis Bare, for Motherboard & Power PS2, PS_SW (ATX), Black	
TF-ARC-625M-B	Rackmount 2U Chassis, for Motherboard & Power PS2, PS_SW(ATX),C:B	
TF-ARC-615M-B	Rackmount 1U Chassis, for Motherboard & Power PS2, PS_SW(ATX),C:B	