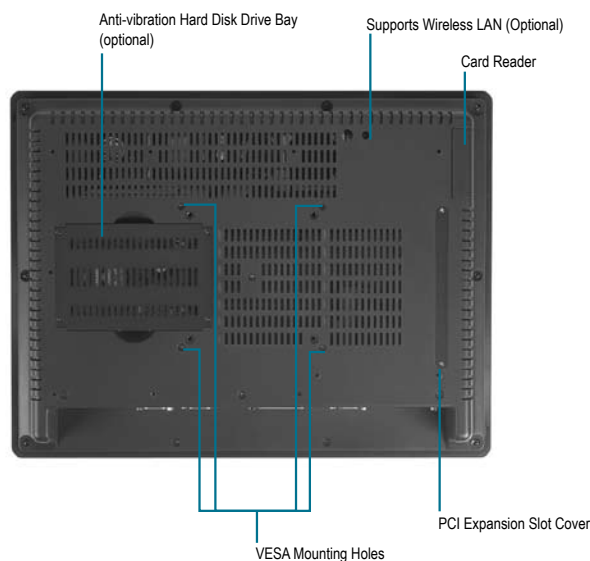
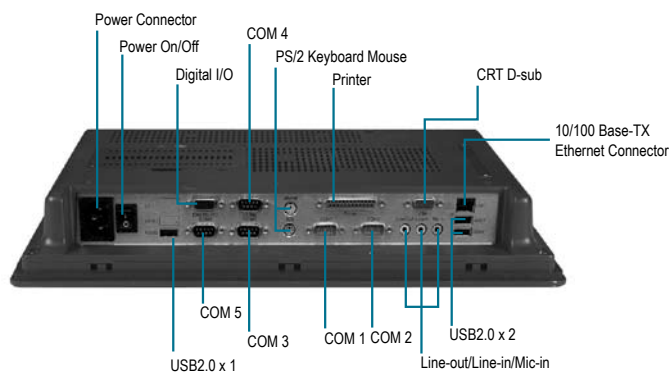
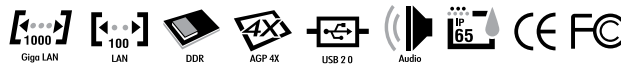


■ 15" Ultra Low Voltage Intel® Pentium® M/ Celeron® M Processor-Based Panel PC



## Features

- 15" TFT XGA (1024 x 768) LCD
- Intel® Pentium® M/ Celeron® M Processors
- Anti-Vibration Disk Drive Bay For Hard Disk Drive
- COM x 5, USB x 3, 10/100Base-TX Ethernet (10/100Base-TX Or Optional Gigabit Ethernet)
- TouchScreen, Mini-PCI And Card Reader
- Up To 8 In Or 8 Out Digital I/O
- Fanless Solution (Celeron® M 600 MHz)



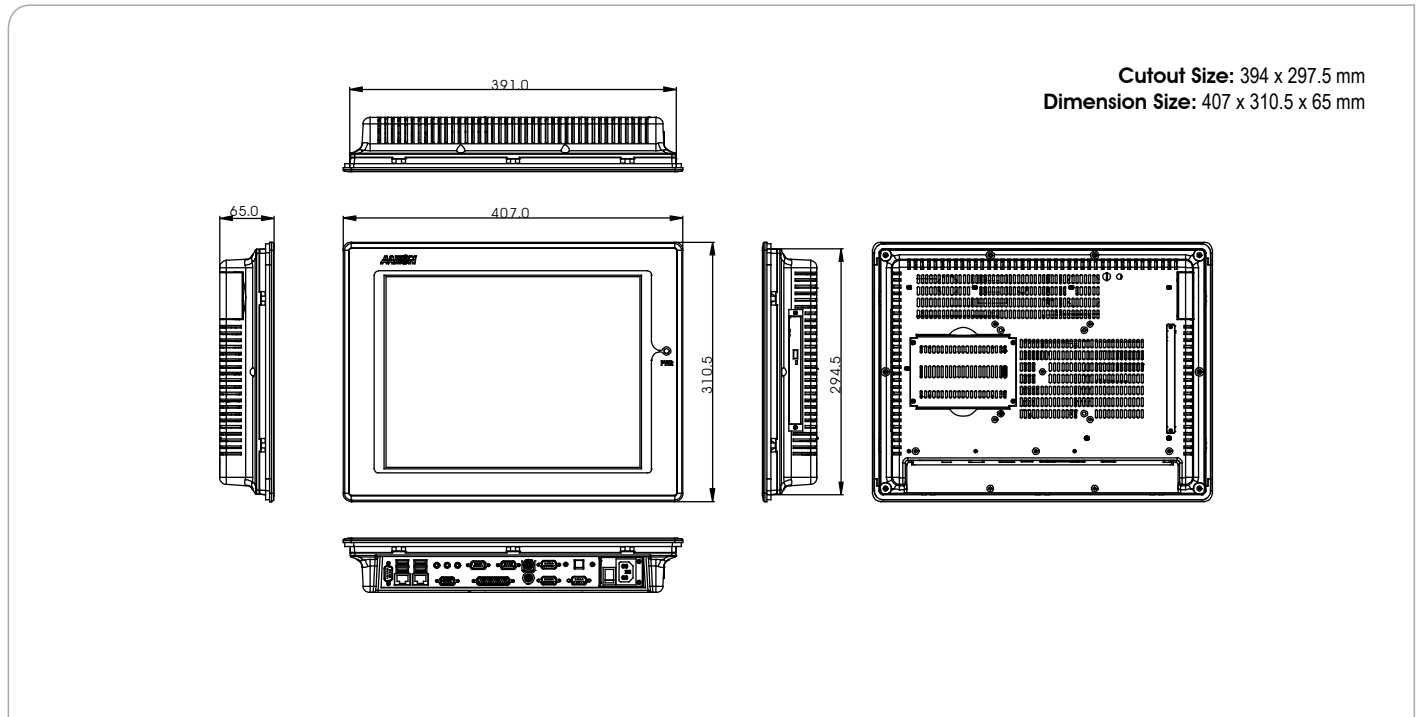
## Specifications

System	
Processor	Supports Intel® Pentium® M 1.6 GHz/ Celeron® M 1.3 GHz/ Celeron® 600 MHz (Fanless) processors
Memory (Optional)	184-pin DDR SDRAM, Max. 1 GB
LCD/CRT Controller	Intel® 852GM, Shared memory up to 64MB with DVMT
Ethernet	10/100Base-TX RJ-45 x 1, 10/100 or 10/100/1000Base-TX RJ-45 x 1 (optional)
I/O Port	5 serial: RS-232 x 4, RS-232/422/485 x 1 (COM 6 is reserved for TouchScreen) parallel x 1 (supports ECP/EPP) PS/2 mouse x 1 PS/2 keyboard x 1 VGA x 1 MIC-in, Line-in, Line-out USB2.0 x 3 Digital I/O (Supports up to 8 in or 8 out)
Storage Disk Drive	IDE: Anti-vibration 2.5" Hard Disk Drive (optional) Slim CD-ROM/Combo/DVD-ROM (optional) 6-in-1 card reader
OS Support	Windows® 2000, Windows® XP Pro for Embedded, Windows® XP Embedded (optional)
Mechanical	
Construction	Plastic chassis IP-65 certified front panel
Front Panel Color	PMS 2965C (Dark Blue)
Mounting	Panelmount, VESA 100mm holes
Dimension	16"(W) x 12.2"(H) x 2.6"(D) (407mm x 310.5mm x 65mm)
Carton Dimension	20.67"(W) x 18.31"(H) x 9.1"(D) (525mm x 465mm x 230mm)
Gross Weight	13.2 lb (6 kg)
Net Weight	11 lb (5 kg)
Environmental	
Operating Temperature	32°F ~ 104°F ( 0°C ~ 40°C)
Storage Temperature	-4°F ~ 140°F (-20°C ~ 60°C)
Storage Humidity	10% to 90%@ 35°C, non-condensing
Vibration	Random operation 1 G, 5~500Hz
Shock	15G peak acceleration (11 msec. Duration)
Safety	UL60950
EMC	CE/ FCC Class A
Power Supply	
AC input 75W	Input: 85V AC ~ 264V AC @ 47~63Hz
LCD	
Display Type	15" TFT LCD
Max. Resolution	1024 x 768
Max. Colors	16.2M colors
Dot Size	0.297 x 0.297
Luminance (Typical)	400 cd/m <sup>2</sup>
Viewing Angle	140°(H) / 125°(V)
Back Light MTBF (Hours)	50,000

# AOP-8150WT

## Dimension

Unit: mm



TouchScreen	
Type	5-wire/8-wire, Analog Resistive
Resolution	2048 x 2048
Light Transmission	80%
Lifetime	35 million activations for 5-wire 10 million activations for 8-wire

## Ordering Information

- **TF-AOP-8150WT-A1-1010**  
Operator Panel with Pentium® M 1.6 GHz Processor, 512 MB RAM, 15" TFT, Card Reader and TouchScreen
- **TF-AOP-8150WT-A2-1010**  
Operator Panel with Celeron® M 1.3 GHz Processor, 256 MB RAM, 15" TFT, Card Reader and TouchScreen
- **TF-AOP-8150WT-A3-1110**  
Fanless Operator Panel with Celeron® M 600 MHz Processor, 256 MB RAM, 15" TFT, Card Reader, TouchScreen, DC 24V
- **TF-AOP-8150WT-P3-1110**  
Fanless Operator Panel with Celeron® M 600 MHz Processor, 256 MB RAM, 15" TFT, Card Reader, TouchScreen, DC 24V, Windows® XP Embedded on 1 GB CompactFlash™ Disk
- **TF-AOP-8150WT-A4-1110**  
Fanless Operator Panel with Celeron® M 600 MHz Processor, 256 MB RAM, 15" TFT, Card Reader, TouchScreen, AC
- **TF-AOP-8150WT-P4-1110**  
Fanless Operator Panel with Celeron® M 600 MHz Processor, 256 MB RAM, 15" TFT, Card Reader, TouchScreen, AC, Windows® XP Embedded on 1 GB CompactFlash™ Disk

## Optional Accessories

- **9741666646**  
Wireless LAN Kit, IEEE802.11b/g, with Antenna
- **STAND-8150B0**  
Desktop Stand with VESA 100mm Standards
- **ARM-WK075-0**  
Wallmount Kit with VESA 75/100mm Standards
- **ARM-LA0115**  
Swivel Arm with VESA 75/100mm Standards
- **EXP-8150P1-01**  
One PCI Expansion Kit
- **1702031802**  
Power Cord (US Type)
- **1702031803**  
Power Cord (European Type)
- **170203180E**  
Power Cord (Japanese Type)
- **Slim CD-ROM/ Combo/ DVD-ROM**
- **2.5" Hard Disk Drive**