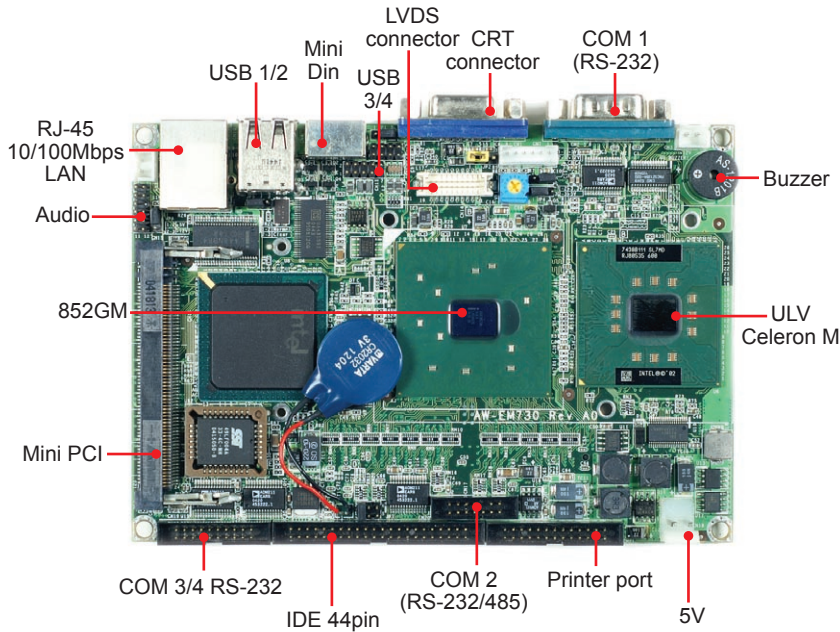


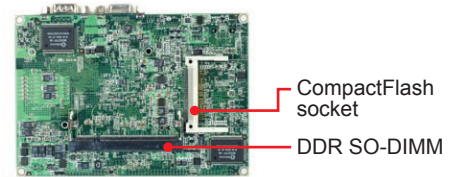
AW-EM730

Intel® ULV Celeron® M Embedded SBC with LVDS, LAN, Audio & SSD



Features:

- Onboard Intel® ULV Celeron® M/ LV Pentium® M processor
- One DDR SO-DIMM memory socket up to 1GB
- One 32-bit PCI-bus 10/100Mbps Ethernet interface
- Four serial ports, one parallel port, four USB 2.0 ports
- One VGA connector, one LVDS connector
- One Mini PCI socket
- One IDE connector and one CompactFlash™ type II socket



COM Express Module
ETX CPU Module
3.5 inch Embedded Board
5.25 inch Embedded Board
Industrial Motherboard
PC/104 CPU Module
Fanless Embedded Box Computer
Accessories

System	
CPU	Onboard Intel® ULV Celeron® M, 600MHz / LV Pentium® M 1GHz/ 1.4GHz processor
BIOS	Award® 512KB Flash BIOS
System Chipset	Intel® 852GM + ICH4
System Memory	1 x 200-pin DDR SO-DIMM socket supports DDR 266 max. up to 1GB w/o ECC registered
Power Management	APM 1.1, ACPI 1.0A supported
SSD	50-pin CompactFlash™ type II
Watchdog Timer	255 levels timer interval, (1 ~ 255 seconds), setup by software. Jumper set up for system reset or IRQ
Expansion Interface	Mini PCI socket
Battery	Lithium 3V/200MAH

I/O	
I/O Chipset	Winbond® 83627HG
I/O Interface	1 x EIDE, 1 x PS/2 KB/Mouse, 3 x RS-232, 1 x RS-232/422/485, 1 x LPT
USB	4 x USB ports, USB 2.0 compliant
Audio (Optional)	AD® AD1881AAC 97 codec (Min in & Speaker out)

Ethernet	
Chipset	Intel® 82562ET
Speed	10/100Mbps
Interface	1 x RJ-45
Standard	IEEE 802.3u (100Base-T) protocol compatible

Display	
Chipset	Built-in Intel® 852GM
Memory Size	1/4/8/16/32MB frame buffer sharing system memory
Resolution	CRT mode: 1920 x 1440 x 32bpp at 85Hz, 1600 x 1200 x 32bpp at 100Hz 350-MHz integrated 24-bit RAMDAC that can drive a standard progressive scan analog monitor with pixel resolution up to 1600 x 1200 at 85Hz & 2048 x 156 at 75Hz
LCD/ LVDS Interface	LVDS Simultaneous mode: 1024 x 768 x 18bpp at 60Hz
Dual Simultaneous Display	CRT / LVDS

Mechanical and Environment	
Dimension (L x W)	145mm (L) x 102mm (W) (5.7" L x 4" W)
Operating Temperature	0°C ~ 60°C (32°F ~ 140°F)
Operating Humidity	10% ~ 95 relative humidity, non-condensing
Storage Temperature	-20°C ~ 85°C (-4°F ~ 185°F)
Storage Humidity	5% ~ 95% relative humidity, non-condensing

Power	
Power Supply Voltage	+5V ± 5%, supports single voltage
Power Consumption	ULV Celeron® M 600MHz@1GB DDR266 Max: +5V@3.5A

Packing List	
•	1 x AW-EM730 SBC
•	1 x CD (Manual, Quick installation guide, Utility driver)
•	1 x KB+PS2 cable 6+6p (p/n: 46L-I606KP-00)
•	1 x Printer cable (p/n: 46L-ILPT01-00)
•	1 x IDE cable (p/n: 46L-I00IDE-00)
•	1 x COM port cable (p/n: 46L-ICOM02-00)
•	1 x COM port cable (p/n: 46L-ICOM03-00)
•	1 x 4P cable (p/n: 46L-IPOW30-00)

Ordering Information	
Standard	
AW-EM730B	3.5" SBC with Intel® LV Pentium® M 1.4GHz , LVDS, LAN, Audio & SSD (by order)
AW-EM730C	3.5" SBC with Intel® ULV Celeron® M 600MHz, 512K cache , LVDS, LAN, Audio & SSD
AW-EM730D	3.5" SBC with Intel® LV Celeron® M 1GHz, 0k cache , LVDS, LAN, Audio & SSD (by order)
Optional	
AW-R031	Audio kit with Mic in & Speak out
AW-R029	+12V power adapter kit
AW-R041	+12V ~ 24V power adapter kit
46L-IUSB03-00	USB cable 2 x 5, 2mm

* Note : All specifications are subject to change without prior notice