

» VX3905 «

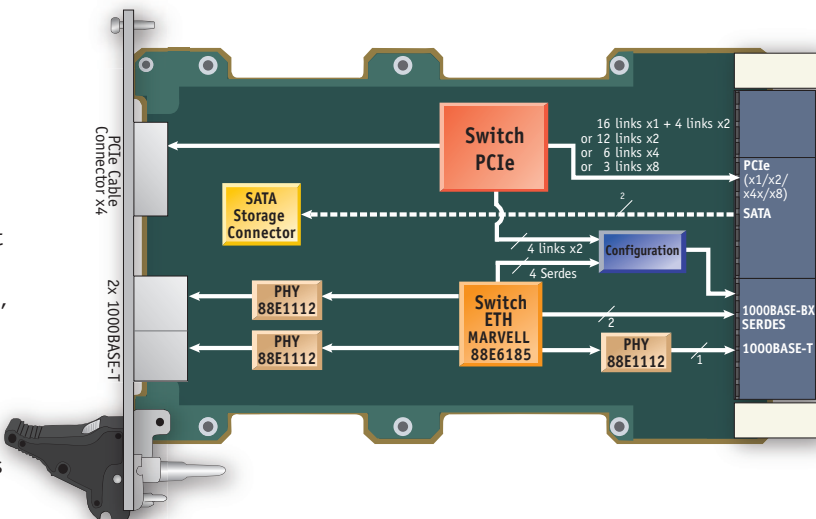


3U VPX™ PCI Express and Ethernet Hybrid Switch

- » Compliant with OpenVPX VITA65 profile SLT3-SWH-6F6U-14.4.1
- » Up to 24 Ports/32 Lanes PCIe Switch
- » 9 Port Giga Ethernet Switch
- » Air-cooled and Conduction-cooled Builds

Product Overview

- » PCI Express Switch: up to 24 lanes on VPX, user configurable as x8, x4, x2 or x1 links
- » Gen1 and Gen2 PCI Express protocol
- » x4 PCI Express Cable downstream output on the front
- » Ethernet Switch: 6 1000BASE-BX on VPX, 1 1000BASE-T on the rear, 2 1000BASE-T on the front
- » Built options with no Ethernet and up to 32 PCIe lanes on VPX, PCIe common clock generator, Ethernet only or SATA from VPX: please refer to "VX3905 User's Guide" for more details.



Technical Information

PCI Express Switch	IDT 89H32NT24AG2 32 Lanes, up to 24 Ports User configurable ports as x8, x4, x2 (and x1 for 16 lanes) PCI Express gen2 and gen1 Front x4 PCI Express cable connector (SA build only)	Giga Ethernet Switch	Marvell MVL88E6185 9 Giga ethernet ports 3 on board 1000BaseT PHY, 2 front RJ45 1000BaseT (SA build only), 1 rear 1000BaseT 6 1000BaseBX rear links
Sata Storage Carrier	Optional Sata disk carrier compliant with OpenVPX VITA65 SLT3-STO-2U-14.5.1	Power Requirement	Single +5V power supply 20W max (without Sata drive)

Environmental Specifications

	SA - Standard Commercial	RC - Rugged Conduction-Cooled
Conformal Coating	Optional	Standard
Airflow	1.5 m/s	NA
Temperature	VITA 47-Class AC1	VITA 47-Class CC4
Cooling Method	Convection	Conduction
Operating	0° to +55°C	-40° to +85°C
Storage	-45° to +85°C	-45° to +85°C
Vibration Sine (Operating)	20/500 Hz: 2g	22/2,000 Hz: 5g
Random	VITA 47-Class V1	VITA 47-Class V3
Shock (Operating)	20g/11 ms Half Sine	40g/20 ms Half Sine
Altitude (Operating)	-1,640 to 15,000 ft	-1,640 to 60,000 ft
Relative Humidity	90% without condensation	95% without condensation

Ordering Information

Article	Part.-No.	Description
SA - Standard Commercial		
VX3905	VX3905-SA-01000 (-V for coating)	3U VPX, 1 inch slot pitch, Air-cooled build
RC - Rugged Conduction-Cooled		
VX3905	VX3905-RC-0N000	3U VPX, 0.8 inch slot pitch, Rugged conduction-cooled build
<i>Refer to "VX3905 User's Guide" for additional options</i>		
Associated Products: 3U VPX Centralized Backplanes		
IFDP08-1IN-3U	IFDP08-1IN-3UVPXV1S1	3U, 1.0" Pitch, Single Star x4 Topology
IFDP08-1IN-3U	IFDP08-1IN-3U-VPX2	3U, 1.0" Pitch, Dual Star x4 Topology
IFDP08-1IN-3U	IFDP08-1IN-3UVPXV3S1	3U, 1.0" Pitch, Single Star x2 Topology

CORPORATE OFFICES

Europe, Middle East & Africa

Oskar-von-Miller-Str. 1
85386 Eching/Munich
Germany
Tel.: +49 (0)8165/ 77 777
Fax: +49 (0)8165/ 77 219
info@kontron.com

North America

14118 Stowe Drive
Poway, CA 92064-7147
USA
Tel.: +1 888 294 4558
Fax: +1 858 677 0898
info@us.kontron.com

Asia Pacific

17 Building, Block #1, ABP.
188 Southern West 4th Ring Road
Beijing 100070, P.R.China
Tel.: + 86 10 63751188
Fax: + 86 10 83682438
info@kontron.cn

