



**Patriot AC - PT2B3 - 028254**  
 (Family) (Model) (Part Number)

### Electrical Specifications

Rated Voltage: 115 VAC  
 AC Frequency: 60 Hz  
 Power Supply: 31.0 Watts  
 Line Current: 0.26 Amps  
 Locked Rotor Current: 0.49 Amps  
 Nominal Speed: 3400 RPM

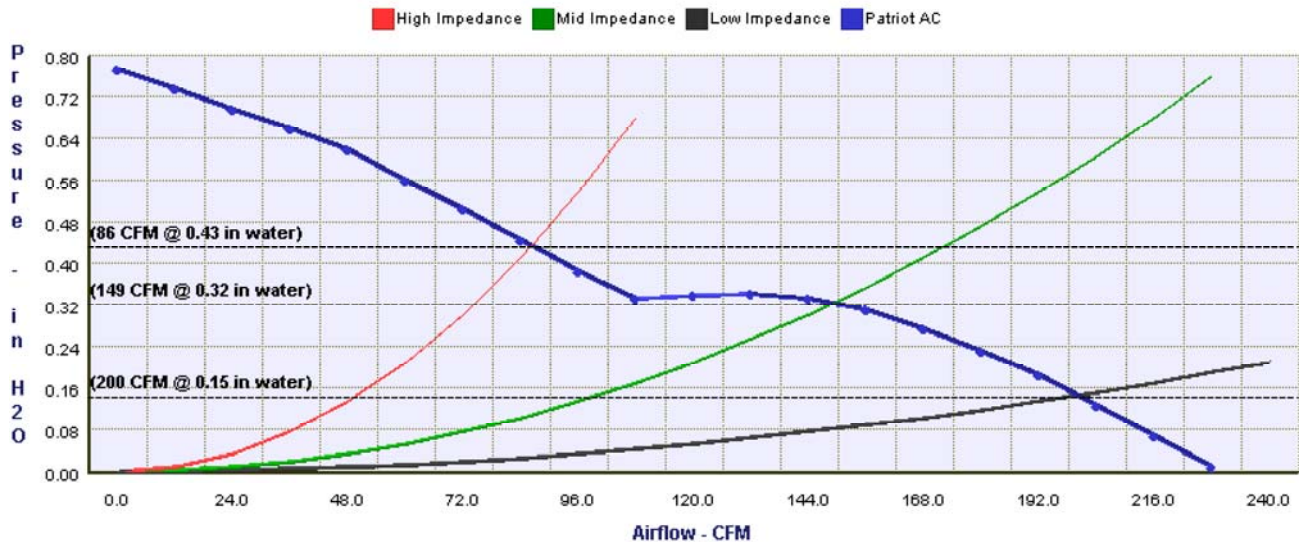


### Mechanical Specifications

Dimensions: 6.77in x 2.01in  
 Weight: 29.4 oz  
 Max Airflow @ 0 in H<sub>2</sub>O: 230.0 CFM  
 Max Pressure @ 0 CFM: 0.772 in H<sub>2</sub>O  
 Noise: 54.0 dBA



### Fan Performance



Comair Rotron, Inc.  
 Phone: 619.651.2000  
 sales@comairrotron.com

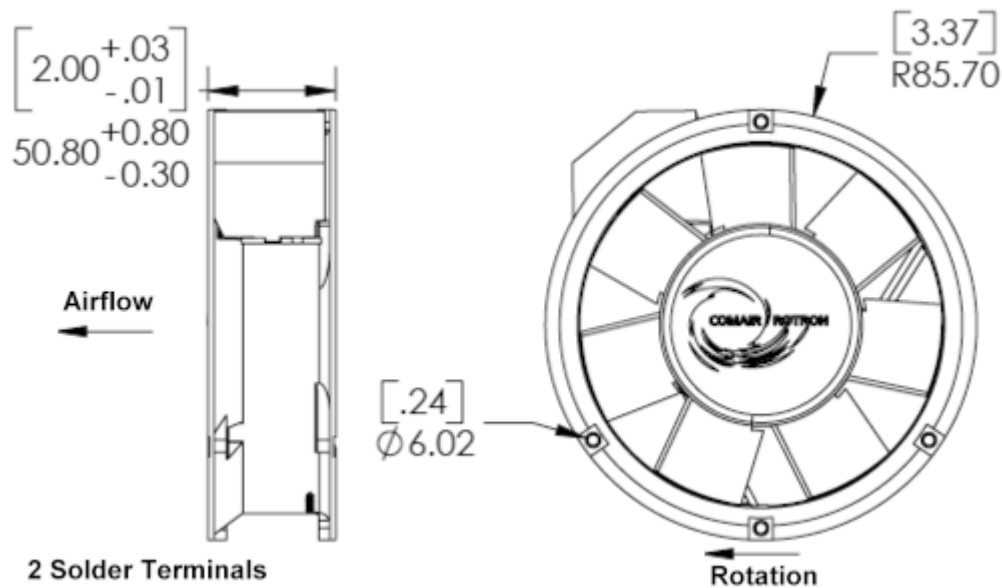
Comair Rotron Europe, Ltd.  
 Phone: +44.1527.520525  
 saleseurope@comairrotron.com

Comair Rotron Fan Company Ltd.  
 Phone: +86.21.52260581  
 salesasia@comairrotron.com

Print Date: Tuesday, August 31, 2010 at 12:48:27 - AC Fan Datasheet - Web Version 1.0 Rev. A



## Mechanical Drawing

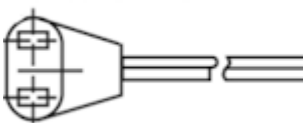


## Options

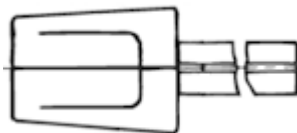
Part Number	Model Number	Bearing Type	Fan Rotation	Termination	In-Stock (Click 'Yes' for current stock)
<input type="radio"/> 028864	PT2B2	Ball	Normal	0.187 Terminals, No Venturi	No
<input checked="" type="radio"/> 028254	PT2B3	Ball	Normal	0.110 Terminals	No
<input type="radio"/> 032250	PT2B6	Ball	Normal	12 in Leads	No

## Accessories [\(Click on part number for detailed drawing.\)](#)

428056  
Plug and Cord



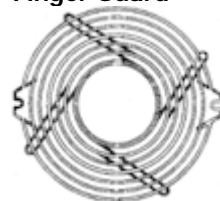
550440  
Plug and Cord



477663  
Mounting Clip



551199  
Finger Guard



**Comair Rotron, Inc.**  
Phone: 619.651.2000  
sales@comairrotron.com

**Comair Rotron Europe, Ltd.**  
Phone: +44.1527.520525  
saleseurope@comairrotron.com

**Comair Rotron Fan Company Ltd.**  
Phone: +86.21.52260581  
salesasia@comairrotron.com

Print Date: Tuesday, August 31, 2010 at 12:48:27 - AC Fan Datasheet - Web Version 1.0 Rev. A