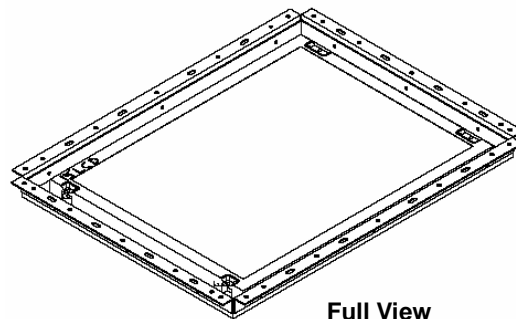
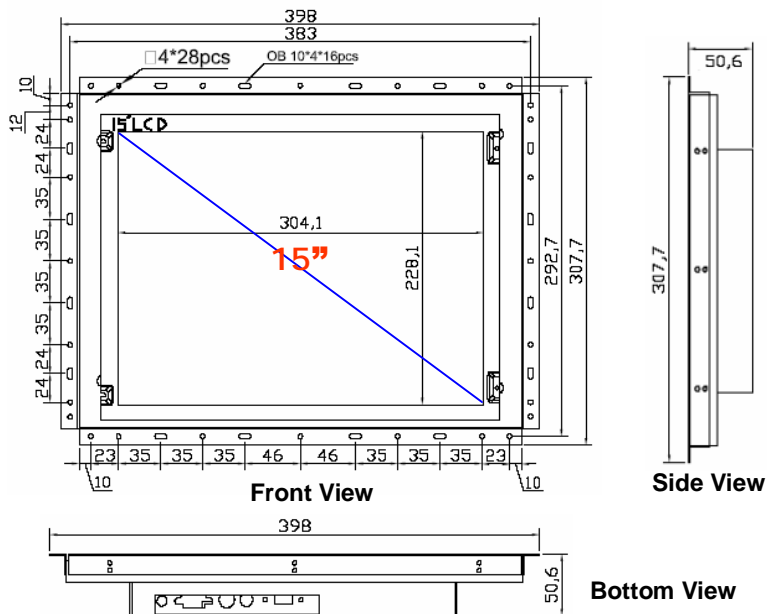


15" Open Frame TFT LCD Display

VTC288954

4:3



Full View

LCD Screen

Manufacturer



LCD Origin	South Korea
LCD Type	Samsung grade A industrial TFT LCD Panel
Display Size	15.0 inch diagonal (304.1H x 228.1V)
Resolution	1024 x 768, XGA
Display Color	16,194,277 color
Brightness	450 cd/m ²
Contrast Ratio	300 : 1 (Typical)
Pixel Pitch	0.297 x 0.297 mm
Viewing Angle	70 / 70 / 60 / 65 (L / R / U / D)
OSD Control	Brightness, Contrast, Phase & Clock, Color, H & V position, Auto-tune & Recall
VGA Connector	D-Sub 15 pin VGA analog
Video Input	S-Video and Composite (Optional)
LCD MTBF	50,000 hrs
Mounting	Flexible front mount
Dimension	398(W) x 308(H) x 51(D) mm
Weight	2.5 kg (Net) / 4.5 kg (Gross)
Packing	555(L) x 470(W) x 90(H) mm

Environmental

Operating Temperature	0 to 50°C
Storage Temperature	-20 to 60°C
Humidity	70%, non condensing
Shock	50G peak acceleration (11ms, since wave)
Vibration	10~300Hz/1.5G (10min/cycle)
Safety Approval	CE, FCC

Ordering Information

Model	Description
VTC288954	15" Open Frame LCD Panel 24VDC input

Touch Screen

Manufacturer



Type	3M Resistive	3M Capacitive
Thickness	3mm	3mm
Light transmission	75%	85%
Controller Interface	Serial / USB	Serial / USB
Durability	35 Million	225 Million
OS Support	Windows XP, 2000, NT, 98, DOS and Linux	

VTC288954

15" Open Frame TFT LCD Display

*All brand names, logo registered trademarks are properties of their respective owners.
*All information change without any notice