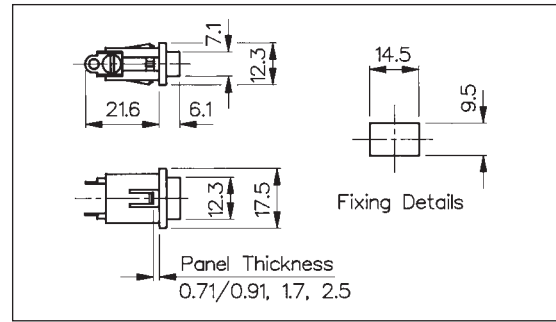


## Push Button

### FRONT PANEL MOUNTING



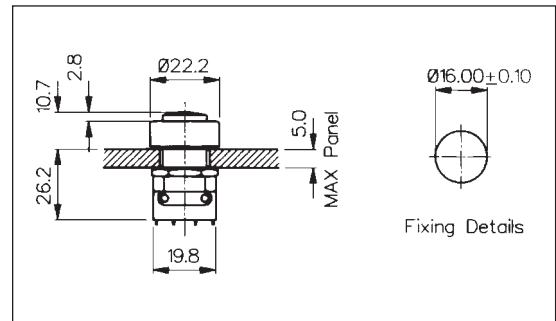
- S.P. Push to Make
- Solder Tags
- Nylon Body & Button



### FRONT PANEL MOUNTING



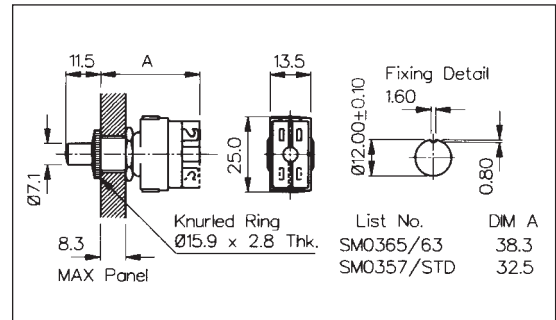
- Front Panel Sealed to IP66
- S.P.C.O. Microswitch
- Solder Tags
- 5A, 250V a.c.
- Black Anodised Aluminium Body
- Black, red or green Buttons



### REAR PANEL MOUNTING



- SM0357 S.P.C.O.
- SM0365 S.P.M.B.
- Solder Tags
- SM0357 - 2A, 250V a.c.
- SM0365 - 3A, 250V a.c.



Specification	MP0022/Colour	SX0904/Colour	SM0357, SM0365
Terminations:	Solder Tags	Solder Tags	Solder Tags
Switching:	S.P. Push to Make Slow Momentary Action	S.P.C.O. Momentary Action (Microswitch)	SM0357 S.P.C.O. 2 pairs contacts SM0365 S.P.M.B. push to make 1 pair contacts
Max. Rating:	0.25A. 250V a.c., 0.5A. 110V a.c., 1A. 0.1 to 28V a.c./d.c.	5A. 250V a.c.	SM0357 2A, 250V a.c. SM0365 3A, 250V a.c.
Contact Resistance:	<15mΩ	<10mΩ	<10mΩ
Insulation Resistance:	>10 <sup>4</sup> MΩ	>10 <sup>3</sup> MΩ.	>10 <sup>3</sup> MΩ
Dielectric Strength:	>2.5kV a.c.	>2.0kV a.c.	>4.5kV a.c.
Operating Temp. Range:	-20°C to +70°C	-20°C to +70°C	-20°C to +70°C
Sealing:		Protection Classification IP66 BS5490 1992 (Microswitch not sealed)	
Materials:			
Moulding:	Nylon	Glass Filled Nylon	Phenolic
Tags:	Brass, Silver Plated	Brass, Tin Plated	Brass, Silver Plated
Body:	Nylon	Black anodised aluminium	Steel, Zinc Plated
Contacts/Terms:	Brass, Silver Plated	Fine Silver	Brass, Silver Plated
Variants:	Button Colours: Standard - Black, /WH (White) and /RD (Red). /TERM - (Screw terminals)	Button Colours: Standard - Black, /RD (Red) and /GN (Green). /28 (2.8mm tabs)	/TERM (Screw Terminals), /63 (6.3mm tabs) - (SM0365 only)