

COMAIR ROTRON Air moving solutions made simple

AC Fans DC Fans
 AC Blowers DC Blowers
 AC Impellers DC Impellers
 AC Motors
 Accessories

- Search**
-
- Part/Model #
 - Stock Check
 - Cross-Reference
 - Keyword
-

- More Products
- Heat Sinks
 - Fan Accessories
- Engineering Tools
- Airflow Calculator
 - Thermal Calculator
 - Unit Conversions
 - Application Notes
- Custom Solutions
- Company Info
- Contact Info
 - Technical Capability
 - Certifications
 - Terms & Conditions
 - Employment Ops

Gateway Online

[Distributors](#) [Find a Rep](#) [Contact Us](#)

Major - JQ24B7 - 031491 - No
 (Family) (Model) (Part #) (In Stock)

Electrical Specifications

Operating Voltage:	24 Volts
Voltage Range:	12 - 28 Volts
Power Supply:	24.0 Watts
Line Current:	1.00 Amps
Locked Rotor Current:	1.55 Amps
Nominal Speed:	3350 RPM

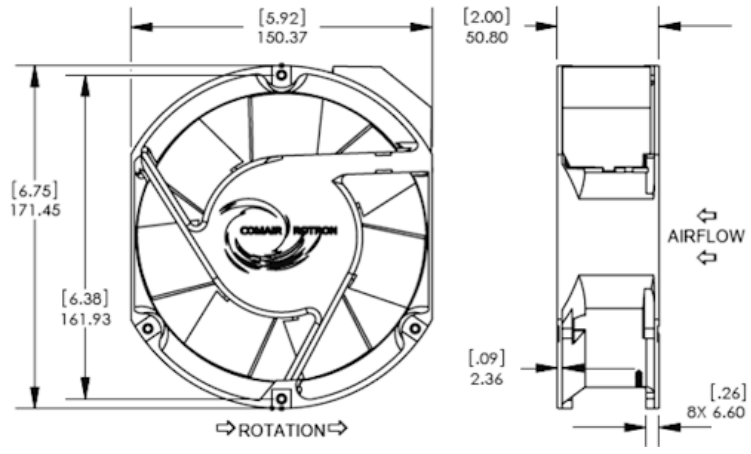


Mechanical Specifications

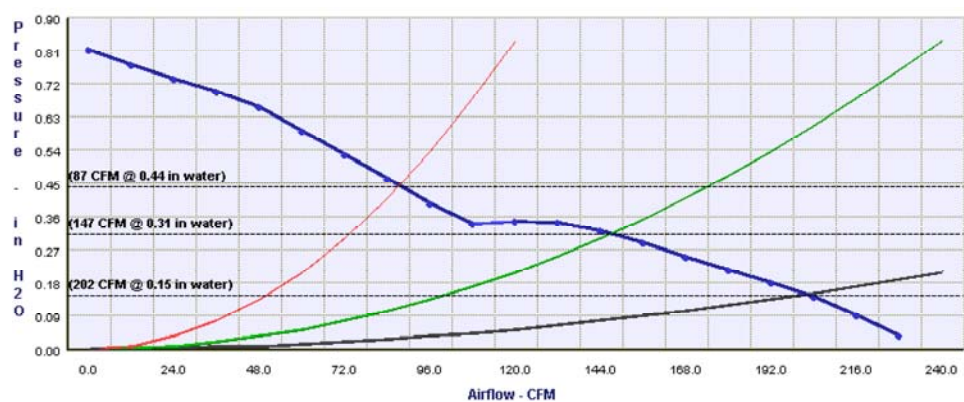
Dimensions:	6.8 x 5.9 x 2.0 in
Weight:	29.64 oz
Max Airflow @ 0 in H₂O	235.0 CFM
Max Pressure @ 0 CFM	0.812 in H ₂ O
Noise	54.3 dBA

RoHS 2002/95/EC
 UL
 SP
 CE

Mechanical Drawing



Fan Performance Curve



Fan Configuration Options

Major **JQ24B7** / **031491** **No** 305 mm [12 inch] Leads
 (Family) (Model) (Part #) (In Stock) (Features)

Fan Speeds

- Extra-High Speed (4502 RPM)
 High Speed (4200 RPM)
 Full Speed (3350 RPM)
 7/8 Speed (3000 RPM)

Fan Bearings

- Ball Bearings
 Sleeve Bearings

Fan Airflow Directions

- Flow L (CW Rotation)
 Flow R (CCW Rotation)

Fan Terminations

- Leads
 Terminals

Fan Monitoring Options

- No Fan Monitoring Options Required
 Add Tachometer (2 pulses per revolution.)
 Open Collector Output
 TTL (+5V) Output

Existing Models with Tachometer Option:

- JQ24B7 / 031491 JQ24B7X / 032913 JQ24B7-E2 / 040314 JQ24B8 / 031117
 JQ24R7 / 039583 JQ24S7H / 031892 JQD24K3E / 041044 JQD24K3E2 / 041045
 JQD24Z3E / 041046 JQD24Z3E2 / 041047

- Add Fan Performance Sensor (FPS)

Fan Speed Control Options

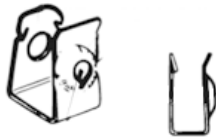
- Add ThermaPro-V Fan Speed Control

Environmental Protection Options

- Add Enviroshield Environmental Protection

Accessories (Click on part number for detailed drawing.)

- 477663**
Mounting Clip



- 550272**
Finger Guard



Comair Rotron, Inc.
 Phone: 619.651.2000
sales@comairrotron.com

Comair Rotron Europe, Ltd.
 Phone: +44.1527.520525
saleseurope@comairrotron.com

Comair Rotron Fan Company Ltd.
 Phone: +86.21.52260581
salesasia@comairrotron.com