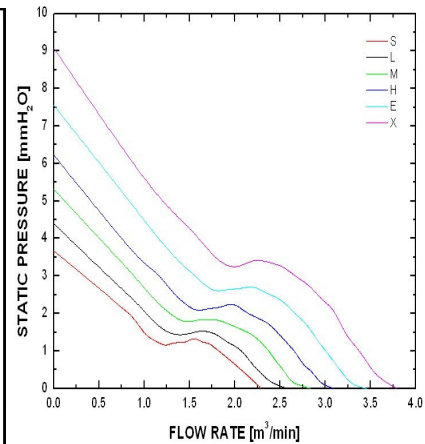
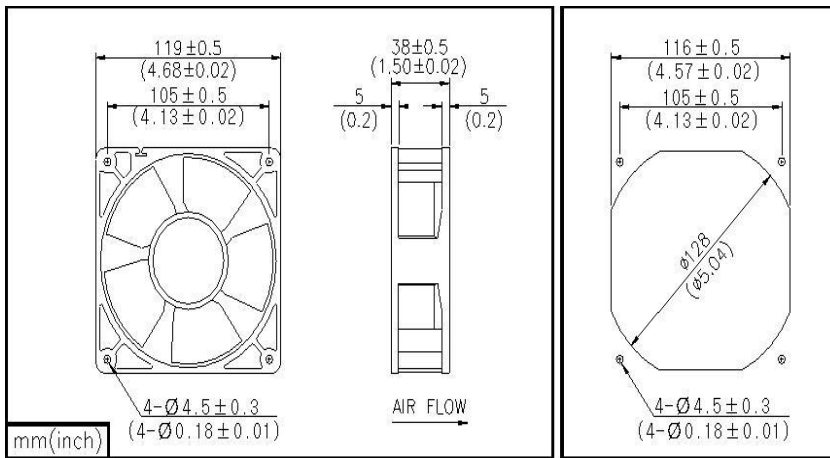


# F1238-S SERIES

Rev. 4

- 120mm square x 38mm frame sizes
- Thermal protection type
- Flange type housing
- UL/TUV agency listed
- RoHS Compliance
- Weight 252g
- Operating Temperature -10°C ~70°C
- Ball bearings structure
- Custom added-value options(i.e. special leadwires, connector installation and etc.)
- Options : Tachometer output signal or Locked rotor output signal  
Themistor speed control or Dual speed control



Model	Rated			Speed (RPM)	Operating Voltage (Vdc)	At Rated Voltage & Speed				
	Voltage (Vdc)	Current Max. (mA)	Power Max. (w)			Air Flow Max.		Static Pressure Max.		Noise (dBA)
						[m3/min]	[CFM]	[mmH2O]	[inH2O]	
F1238S12B-S	12	180	2.16	1,800	7~14	2.29	81	3.40	0.13	31
F1238L12B-S	12	290	3.48	2,050	7~14	2.57	91	4.30	0.17	34
F1238M12B-S	12	360	4.32	2,300	7~14	2.83	100	5.30	0.21	37
F1238H12B-S	12	440	5.28	2,500	7~14	3.10	109	6.40	0.25	39
F1238E12B-S	12	700	8.40	2,800	7~14	3.46	122	7.60	0.30	41
F1238X12B-S	12	950	11.40	3,100	7~14	3.78	133	9.10	0.36	44
F1238S24B-S	24	90	2.16	1,800	14~28	2.29	81	3.40	0.13	31
F1238L24B-S	24	145	3.48	2,050	14~28	2.57	91	4.30	0.17	34
F1238M24B-S	24	180	4.32	2,300	14~28	2.83	100	5.30	0.21	37
F1238H24B-S	24	220	5.28	2,500	14~28	3.10	109	6.40	0.25	39
F1238E24B-S	24	350	8.40	2,800	14~28	3.46	122	7.60	0.30	41
F1238X24B-S	24	500	12.00	3,100	14~26	3.78	133	9.10	0.36	44
F1238S48B-S	48	60	2.88	1,800	36~54	2.29	81	3.40	0.13	31
F1238L48B-S	48	80	3.84	2,050	36~54	2.57	91	4.30	0.17	34
F1238M48B-S	48	120	5.76	2,300	36~54	2.83	100	5.30	0.21	37
F1238H48B-S	48	240	11.52	2,500	36~54	3.10	109	6.40	0.25	39
F1238E48B-S	48	210	10.08	2,800	36~54	3.46	122	7.60	0.30	41

\* Speed range at rated voltage is ±10% of rated speed.

©2005 DONGYANG FAN

While every precaution has been taken in the preparation of this data sheet, DONGYANG FAN assumes no responsibility for errors or omissions. DONGYANG FAN reserves the right to change information in this data sheet without notice.