



SP15/25

Max Flow: 30 gpm (114 lpm)



SP15/25 Spin-On Filters

Maximum Working Pressures to: 150 *psi*
1034 kPa
10.3 bar

Rated Static Burst to: 375 *psi*
2590 kPa
25.9 bar

Flow Ranges to: 30 *gpm*
114 *lpm*



Features

The SP15/25 series are economical, low pressure filters with spin-on convenience and a wide range of cleanliness ratings. Filters are available with the bypass ratings of your choice – 25 psi, 15 psi, 5 psi or no bypass. Take advantage of our mix and match system of in-stock heads and filters, so you can get exactly what you need. Choose the media type and configuration that's best for your application. Options include Donaldson's exclusive Synteq™, natural fiber cellulose, stainless steel wire-mesh or water absorbing media.

Beta Rating

- Performance to $\beta_{6(c)}=1000$

Porting Size Options

- 1/2", 3/4" NPT
- SAE-8, -12 O-ring

Replacement Filter Lengths

- Synteq™ 5.35" / 136 mm
7.87" / 200 mm
- Cellulose 5.35" / 136 mm
7.87" / 200 mm
- Wire Mesh 5.35" / 136 mm
- Water Removal 5.35" / 136 mm

Standard Bypass Ratings

- 25 *psi* / 172.5 kPa / 1.7 bar
- 15 *psi* / 97 kPa / .97 bar
- 5 *psi* / 34.5 kPa / .34 bar
- No Bypass

Assembly Weight

- 5.35": 1.6 lbs / .7 kg (approximately)
- 7.87": 2.2 lbs / 1 kg (approximately)

Operating Temperatures

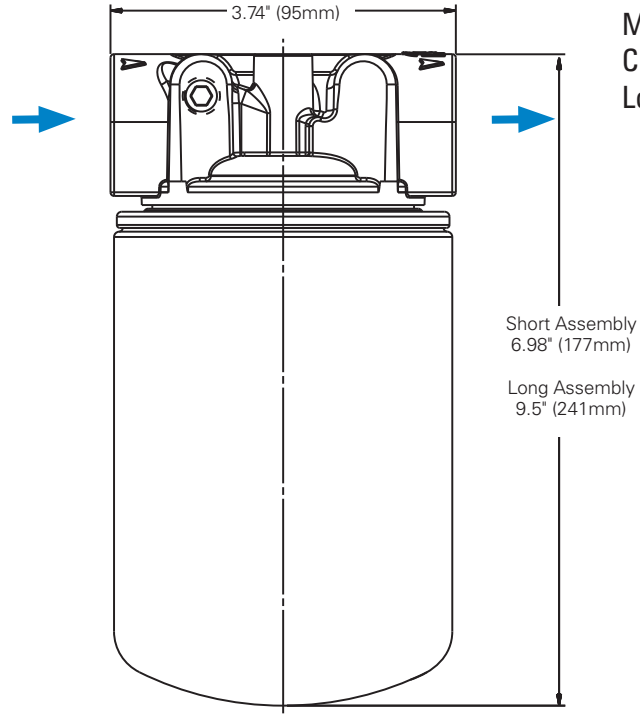
- -20°F to 225°F / -27°C to 107°C

Collapse Ratings

- 100 *psid* / 690 kPa / 6.9 bar (standard)

SP15/25 Specification Illustrations

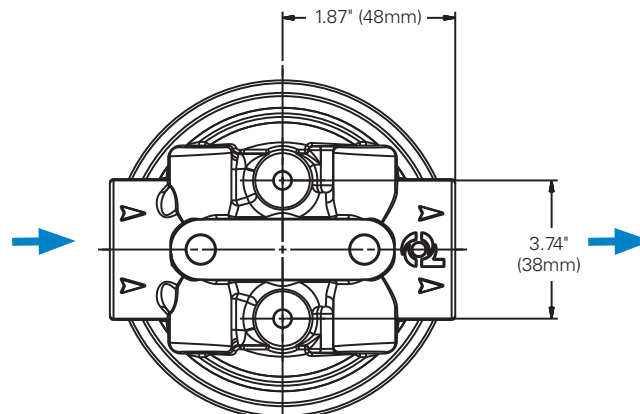
Assembly - Side View



Applications:

- In-Plant Systems
- Agriculture Equipment
- Mining
- Construction
- Logging

Head - Top View





SP15/25

Max Flow: 30 gpm (114 lpm)



SP15/25 Components

Filter Choices

Media Type	Beta _(c) ₂₀₀ Rating	Beta _(c) ₁₀₀₀ Rating	Length (in./mm)	Donaldson Part No.	Comments
Synteq Media # 1		5 µm	5.35/136	P564967	Synthetic Media
Synteq Media # 2		9 µm	7.87/200	P564357	Synthetic Media
Synteq Media # 2-1/2		10 µm	5.35/136	P560693	Synthetic Media
Synteq Media # 2-1/2		10 µm	7.87/200	P179089	Synthetic Media
Synteq Media # 9		23 µm	5.35/136	P560694	Synthetic Media
Cellulose Media # 10		23 µm	5.35/136	P551551	
Cellulose Media # 10		23 µm	7.87/200	P565059	
Cellulose Media # 3		24 µm	5.35/136	P565061	
Cellulose Media # 25	32 µm		5.35/136	P551553	
Cellulose Media # 25	32 µm		7.87/200	P565060	
Water Absorbing Media	32 µm		5.35/136	P565062	Absorbs Approx. 6 oz/170 ml of water @ 20 psid/1.4 bar
Wiremesh Media # 149	150 µm		5.35/136	P550274	100 mesh

* Thread size 1"-12 UNF

Head Choices

Port Size	Bypass Range	Gauge ports (drill, tap, plug)	Gauge Port Location	Donaldson Part No.
½" NPT	15 psi / 103.4 kPa / 1.34 bar	(2) 1/8" NPT	upstream side	P563288
¾" NPT	25 psi / 172.5 kPa / 1.72 bar	(2) 1/8" NPT	upstream side	P561131
¾" NPT	5 psi / 34.5 kPa / .34 bar	(2) 1/8" NPT	downstream side	P561132
¾" NPT	25 psi / 172.5 kPa / 1.72 bar	none	na	P561134
¾" NPT	5 psi / 34.5 kPa / .34 bar	none	na	P561135
¾" NPT	none	none	na	P561136
¾" NPT	15 psi / 103.4 kPa / 1.34 bar	none	na	P563278
SAE-12	none	none	na	P561133
SAE-12	none	(1) SAE-4	upstream side, LH	P561137
SAE-12	5 psi / 34.5 kPa / .34 bar	none	na	P561140
SAE-12	25 psi / 172.5 kPa / 1.72 bar	none	na	P561141
SAE-12	15 psi / 103.4 kPa / 1.34 bar	none	na	P563279
SAE-12	25 psi / 172.5 kPa / 1.72 bar	(2) 1/8" NPT	upstream side	P563280
SAE-12	15 psi / 103.4 kPa / 1.34 bar	none	M6 mtg. threads	P563287
SAE-8	25 psi / 172.5 kPa / 1.72 bar	none	na	P561138



Mix and Match

Donaldson's mix and match system provides the great performance and functional advantages of custom-engineered filters with the convenience and speedy delivery of in-stock parts. Choose your options and build a filter model to suit your specifications.

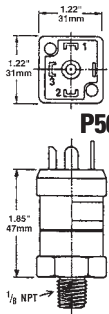
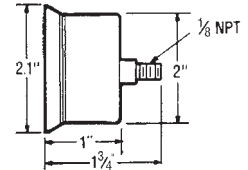
Filter Service Gauges - Visual Indicators

Donaldson Part No.	Pressure Range	Use With Bypass Valve Rating	Type
P563978	5 to 30 psi field adj.*	15 psi / 103.4 kPa / 1.34 bar or 25 psi / 172.5 kPa / 1.72 bar or No Bypass	Return indicator, electrical
P563979	-5 to 15 in Hg	5 psi / 34.5 kPa / .34 bar Hg field adj.* or No Bypass	Suction indicator, electrical
P563296	0 to 100 psi	15 psi / 103.4 kPa / 1.34 bar or 25 psi / 172.5 kPa / 1.72 bar or No Bypass	Return indicator, numeric scale
P563297	0 to 100 psi	15 psi / 103.4 kPa / 1.34 bar Bypass	Return indicator, color coded
P563298	0 to 100 psi	25 psi / 172.5 kPa / 1.72 bar or No Bypass	Return indicator, color-coded
P563299	0 to -20 Hg	5 psi / 34.5 kPa / .34 bar or No Bypass	Suction indicator, numeric scale

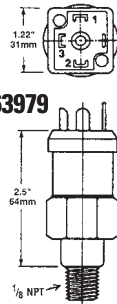


Notes
*NOT PRESET:
Setting adjustable for desired application

P563296 - P563299



P563978



P563979

#1 Common; #2 Normally Closed;
#3 Normally Open

Instructions

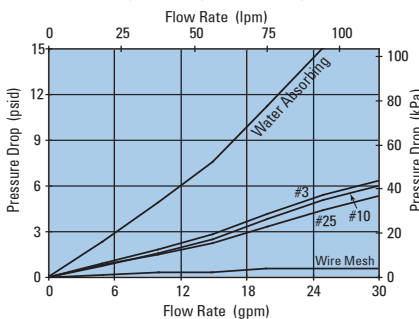
1. Remove DIN adaptor
2. Remove small brass screw
3. Using 1/8" allen wrench adjust clockwise to increase set point/counter-clockwise to decrease set point
4. NO / NC

Adjustment screw located in center of electronic prongs

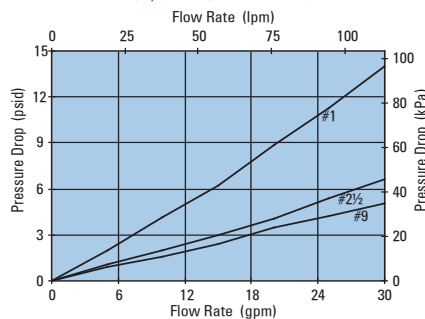


Performance Data

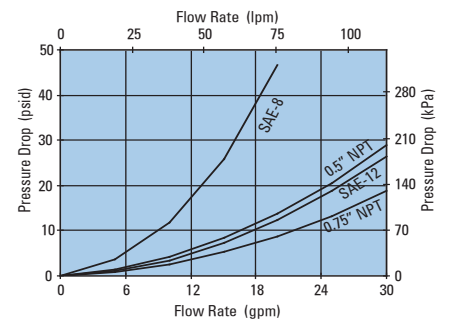
SP15 Filter Only
(Cellulose, 5.35"/136mm)



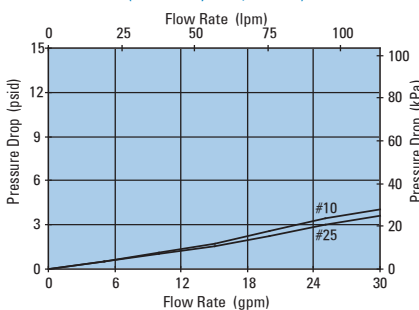
SP15 Filter Only
(Synthetic, 5.35"/136mm)



SP15/25 Head Only



SP25 Filter Only
(Cellulose, 7.87"/200mm)



SP25 Filter Only
(Synthetic, 7.87"/200mm)

