

d<sup>1</sup>

design.

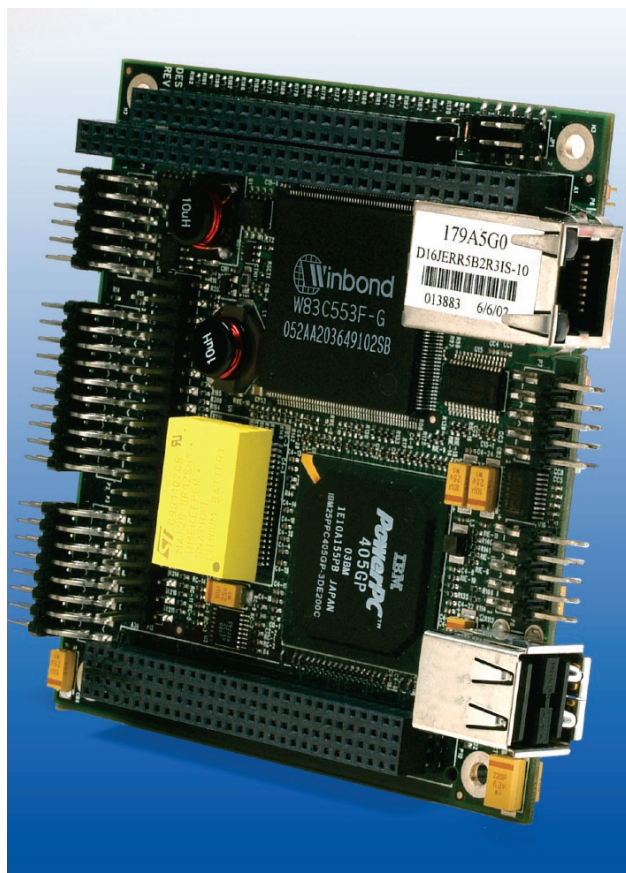
d<sup>2</sup>

develop.

d<sup>3</sup>

deploy.

## Embedded Planet EP405PC



### Features:

- AMCC 405GP and 405GPr processors
- PC/104+ compliant PCI and ISA connectors
- 33MHz SYNC or 66MHz ASYNC PCI
- EBC Bus for direct signal access to the processor
- SDRAM 16, 32, 64 or 128MB
- Flash 2, 4, 8, 16 or 32MB
- NVRAM 32kb; Real-Time Clock
- 10/100BaseT Ethernet interface
- Two RS-232 serial ports
- IDE Interface
- Two USB host type A ports
- Serial EEPROM I2C
- Serial Temperature I2C
- JTAG RISCWatch and RISCTrace support
- Dipswitch 4-position slide switch
- BCSR Control and Status Registers
- 5V operation (draws 1.5A max)
- Mechanical 3.550x3.775" (90x96 mm)
- Operating Range 0°C to +70°C (-40°C to +85°C temperature available)

**design.**  
The next  
generation of  
connected devices.

**develop.**  
Your products  
based on our  
platform.

**deploy.**  
Your solution  
faster.

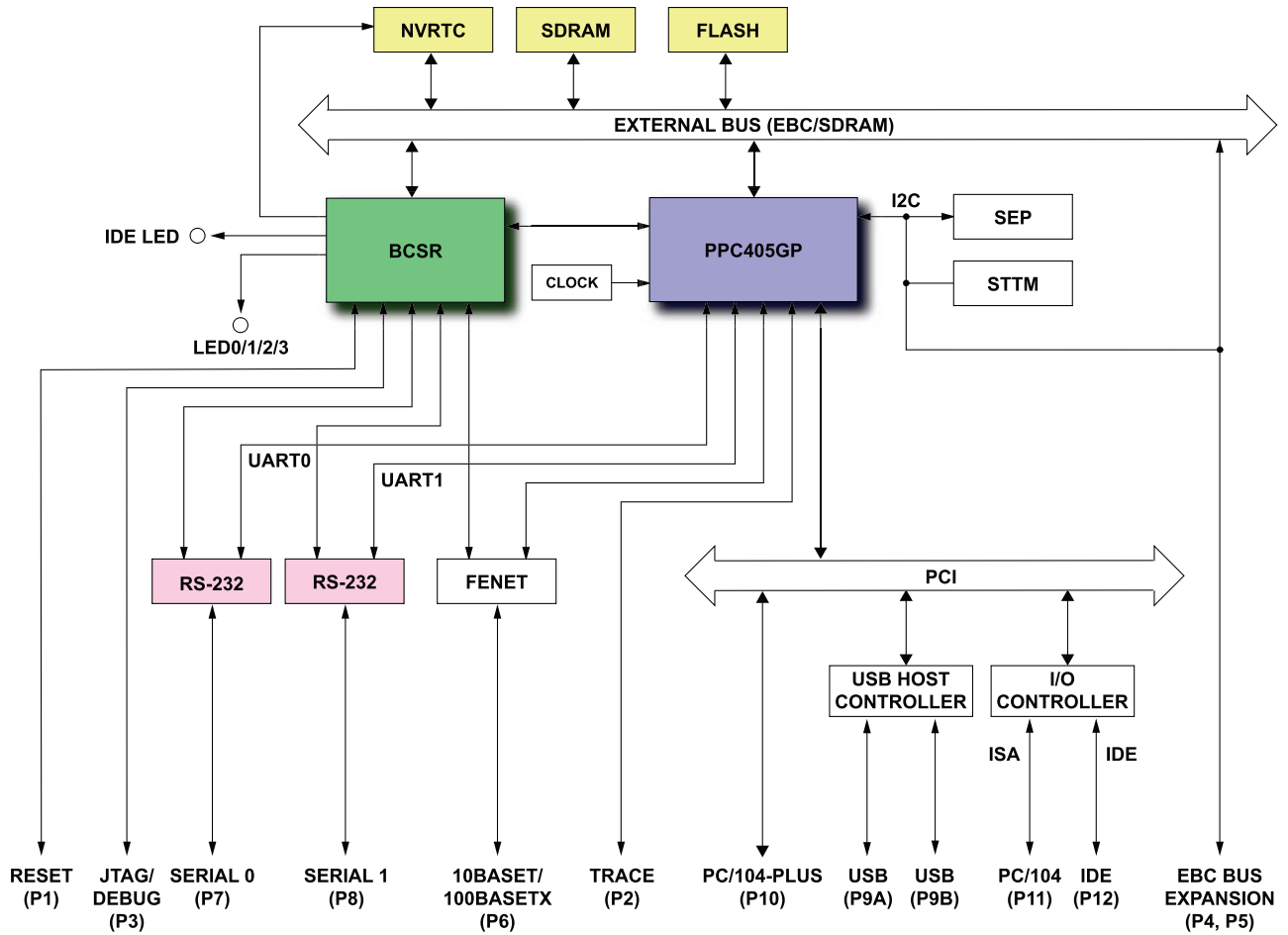
### Flexible Single Board Computer

The EP405PC single board computers take advantage of the AMCC 405GP and 405GPr PowerPC processors. By integrating all of the features of the PowerPC into a production ready embedded development system, the EP405PC reduces Time-To-Market and increases product reliability for Communications, Military/Aerospace, Medical, and Industrial applications. The EP405PC single board computers include the EBC bus that provides direct access to 405 processor signals for additional I/O expansion.

### Product Options

Single Board Computer includes a cable kit, power supply, and CD with complete documentation. Board Development Kit includes processor bus breakout debug boards, PDF schematics, and support. Design Kits are available with schematic and firmware source. Embedded Planet provides customization and integration services. Production board population options can be configured to match customer requirements.

## Block Diagram



T00125A

## Software Development Tools

Linux and VxWorks BSPs are available from Embedded Planet. The BSP development CDs come complete with documentation, source code, pre-compiled images, build files and tools.

INTEGRITY BSP is available from Green Hills Software. Other RTOS options are also available.

Embedded Planet PlanetCore firmware is provided with each module and includes a Bootloader, Flash Burner, and Diagnostics. Download and run applications via Ethernet or serial, test board hardware, and burn images to Flash.

Complete line of low level and application level TCP/IP stack and protocols code is available.

This material is the copyright of Embedded Planet 1997-2004. Embedded Planet is a registered Trademark. Other company and product names may be trademarks of their respective owners.

**Contact Embedded Planet sales:**  
[www.embeddedplanet.com](http://www.embeddedplanet.com) or  
 email [info@embeddedplanet.com](mailto:info@embeddedplanet.com)  
 phone (216) 245-4180