



Muffin AC - MU3B1 - 028029
(Family) (Model) (Part Number)

Electrical Specifications

Rated Voltage:	230 VAC
AC Frequency:	60 Hz
Power Supply:	14.0 Watts
Line Current:	0.09 Amps
Locked Rotor Current	0.13 Amps
Nominal Speed:	3100 RPM

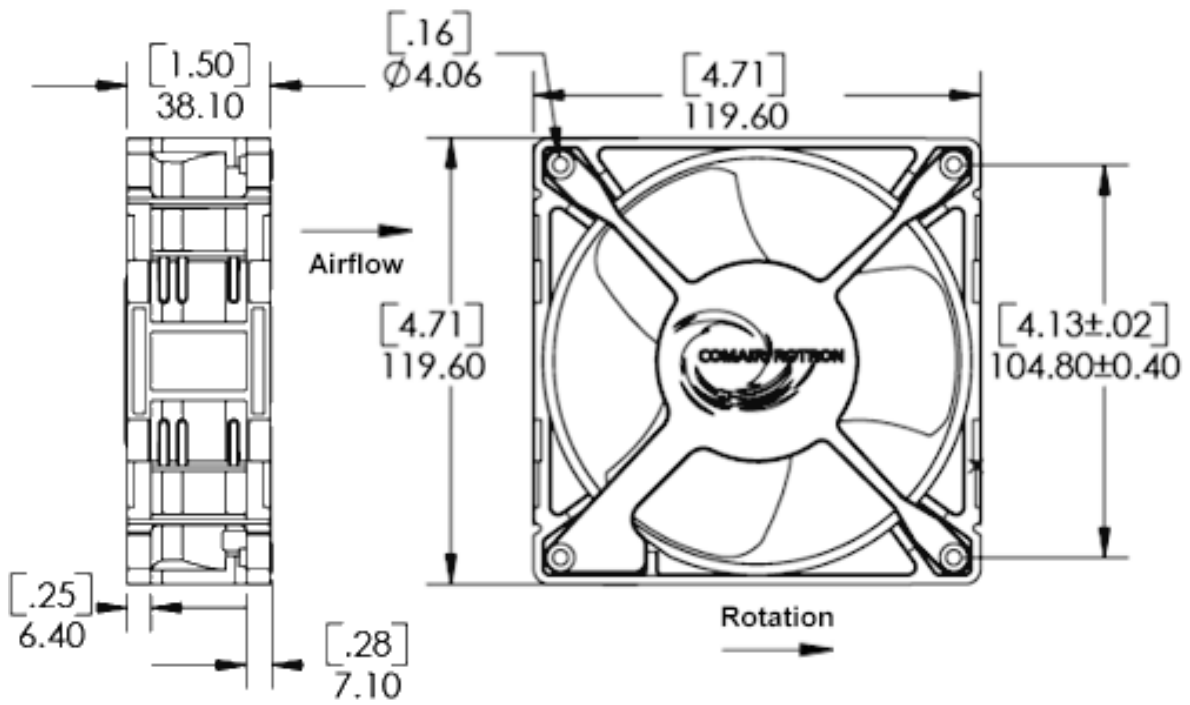
Mechanical Specifications

Dimensions:	4.72in x 1.50in
Weight	17.2 oz
Max Airflow @ 0 in H ₂ O	102.0 CFM
Max Pressure @ 0 CFM	0.296 in H ₂ O
Noise	45.1 dBA

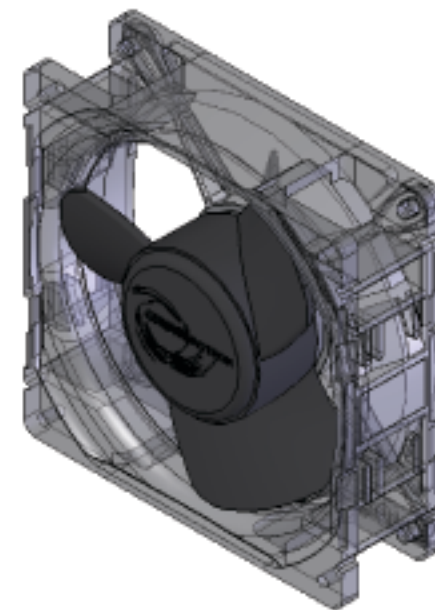
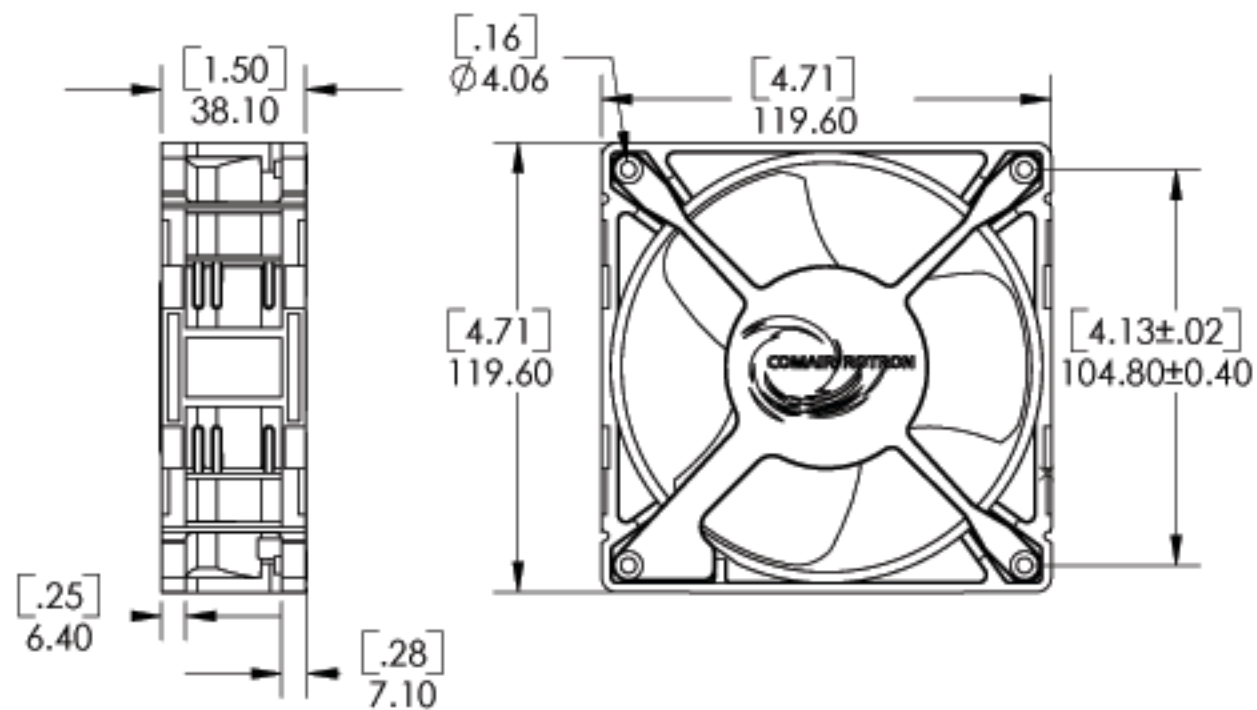




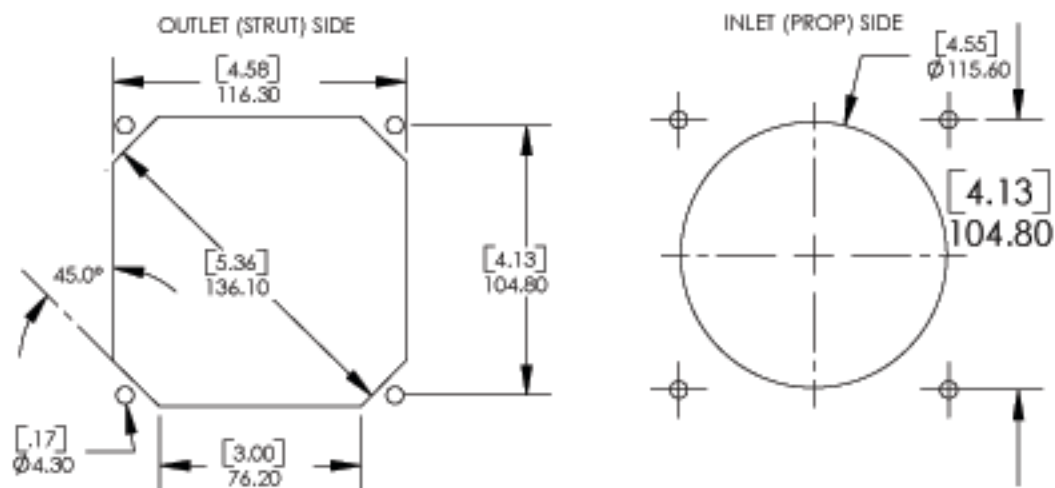
Mechanical Drawing




Part Number	Model Number	Bearing Type	Fan Rotation	Termination	
028029	MU3B1	Ball	Normal	Terminals	



RECOMMENDED CUTOUT



CONTACT INFO: WWW.COMAIRROTRON.COM			3D MODEL FOUND AT..
TOLERANCE UNLESS OTHERWISE SPECIFIED: 2 PL DEC ± .01 (A) 3 PL DEC ± .005 (20) WWW.COMAIRROTRON.COM			
MUFFIN AC			