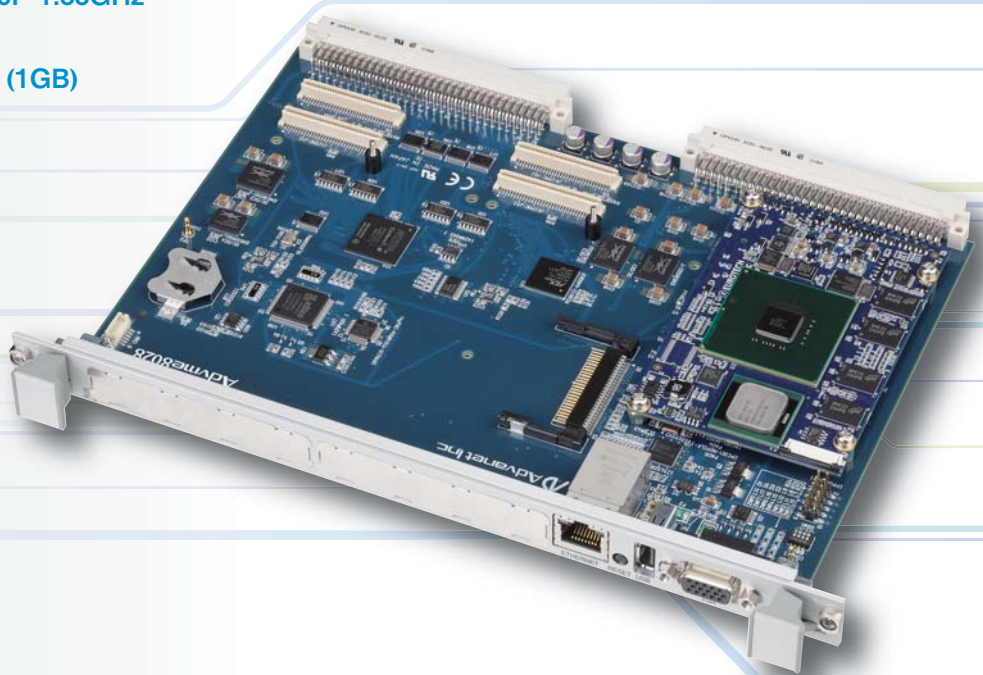


Advme8028

Intel® Atom™ processor Z520P 1.33GHz
Low power consumption
On-board DDR2-533 SDRAM (1GB)
for main memory
Gigabit Ethernet 1port
CompactFlash socket 1port
32bit/33MHz PMC slot 2port



FEATURES

- Intel® Atom™ processor Z520P 1.33GHz
- Low power consumption
- On-board DDR2-533 SDRAM (1GB) for main memory
- Gigabit Ethernet 1port
- CompactFlash socket 1port
- 32bit/33MHz PMC slot 2port
- Support OS : VxWorks, Linux

The Advme8028 is a 6U VME bus single board computer based intel® Atom™ processor.

Equipped with 2 PMC slots, the Advme8028 is able to expand its I/O with a combination of various PMC modules. GigabitEthernet, VGA, and USB are available on the front panel. It has an on-board CF slot which can be used for OS booting and storage.

There is an option which extend two COM-ports in the front panel. But, in that case, the number of available PMC slots becomes one.





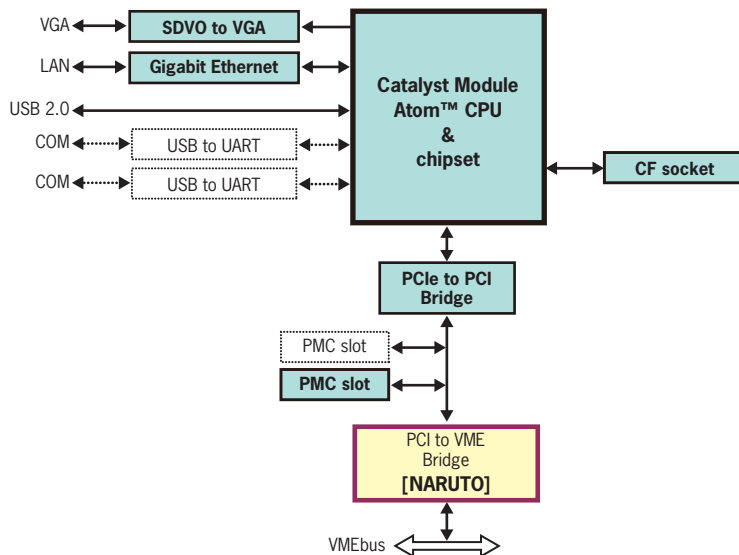
*CompactFlash is not included

Specifications

CPU	Processor L1 cache L2 cache	Intel® Atom™ Z520P 1.33GHz -40-85°C 24kB for data / 32kB for instruction 512kB for data and instructions
Memory	Main Memory Boot ROM Serial EEPROM	DDR2-533 Memory capacity 1GB FWH-FLASH memory On board implementation 2kbit
Front panel I/O	Ethernet USB Graphics PMC slot	10/100/1000 BASE-T 1port USB 2.0 1port VGA 1port PMC slot 2port or PMC slot 1port and COM port 2port
Onboard I/O	CompactFlash	CF+ and CompactFlash Rev2.1 standards 1port (No CompactFlash installed)
VME bus	Standard Compatibility Functions Bus bridge	VME bus Rev.C.3 A32,A24,A16/D32,D16,D08(E0) System controller, Interrupt handler NARUTO PCI/VME bus bridge
PCI bus(PMC)		32bit 33MHz VIO=3.3V
Power Supply		DC5.0V±5% (supplied by VMEbus)
Consumption current		1.6A (typ.)
Form Factor		6U size, Single Slot
Environmental	RoHS	Compliant



Block Diagram



Note: The information in this document is subject to change without notice and should not be construed as a commitment by EUROTECH. While reasonable precautions have been taken, EUROTECH assumes no responsibility for any error that may appear in this document. All trademarks or registered trademarks are the properties of their respective companies.