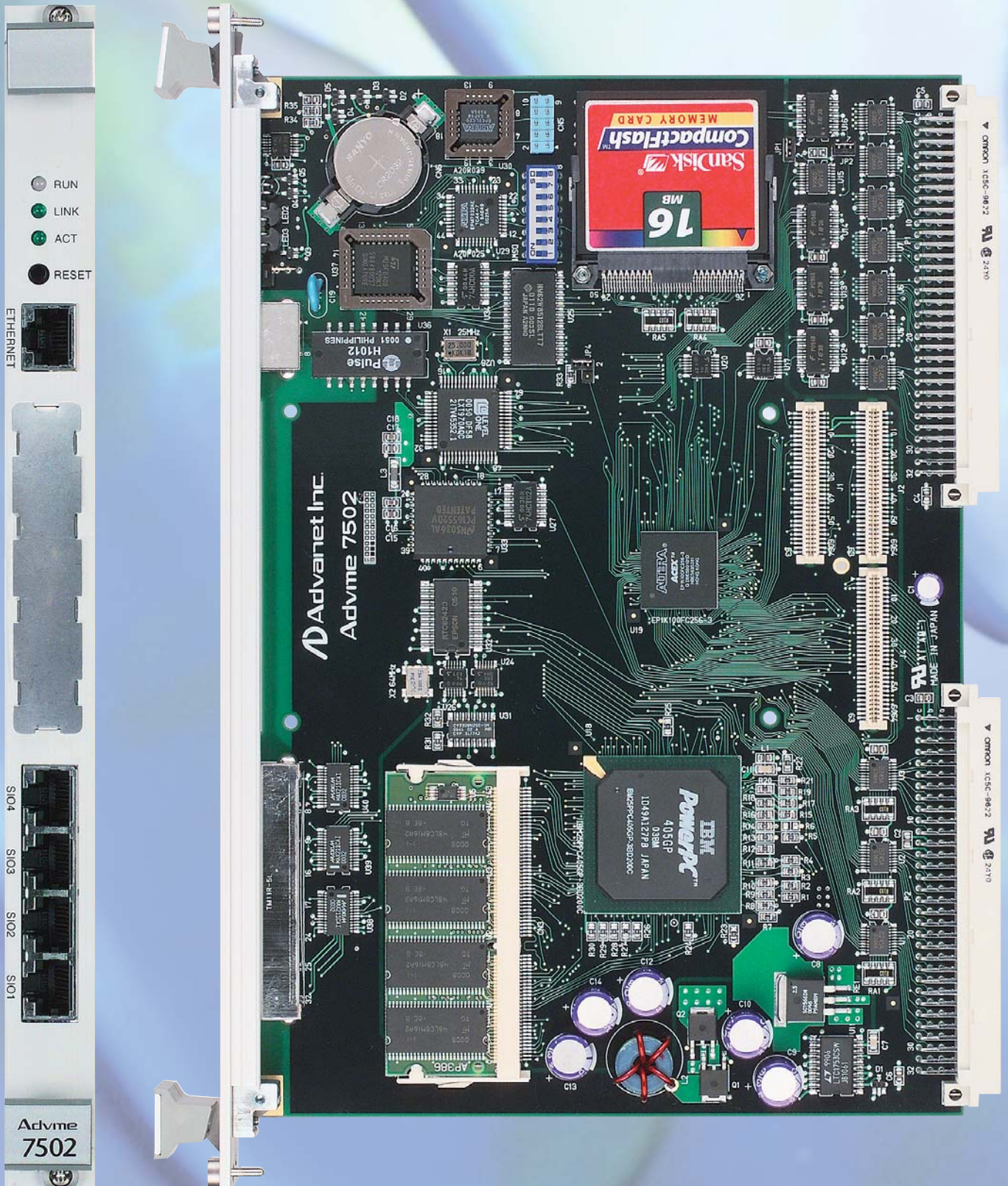


# Advme7502

PowerPC 405GP CPU Board

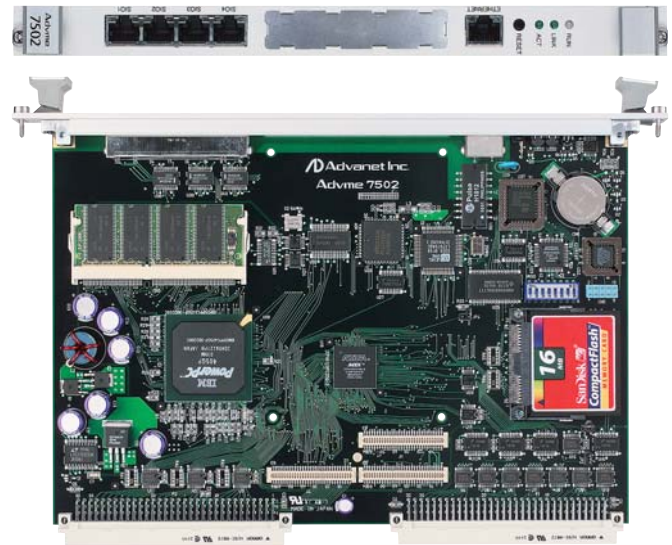


# Advme7502

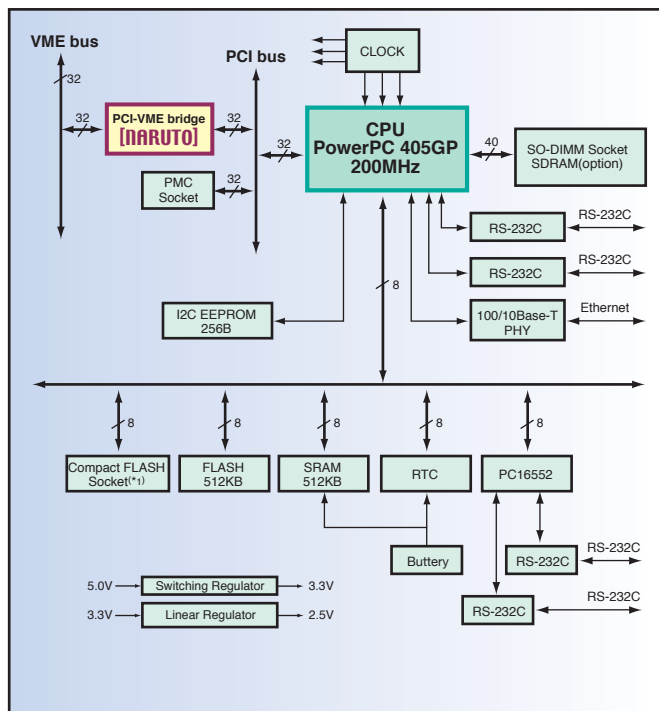
## PowerPC G4 CPU Board

### Features

- VME bus compatible CPU board with PowerPC405GP
- VME Bus Master function with a system controller
- 10/100Base-T Ethernet port and four-channel RS-232C serial port
- CompactFlash socket to store application programs and data files
- 512KBytes of SRAM and real-time clock (battery backup)
- PMC slot for easy onboard function expansion



### Block diagram



### Specifications

#### CPU & Memory

- CPU : PowerPC405GP (200MHz)
- SDRAM : SO-DIMM socket (ECC function support)
  - \* Memory module (SO-DIMM) is optional.
- CompactFlash : 3.3V module support
  - \* CompactFlash module is optional.
- SRAM : 512KBytes 8-bit data (battery backup)
- EEPROM : 2KBytes

#### Peripheral

- 10/100Base-T Ethernet, built-in 405GP, RJ-45 connector
- Four-channel RS-232C (two 405GP built-in and two PC16552)
- Real-time clock EPSON RTC62423 (battery backup)
- One PMC slot

#### Bus interface

- PCI-VME bridge : NARUTO (Advanet original)
- VME bus : A32/A24/A16, D32/D16/ D08(E0)
- Bus Master/Slave function
- Interrupter, Interrupt handler

#### Board size

- 60mm x 233.35mm x 20mm (excluding protrusions)
- Double height and single width



HUMAN ELECTRONICS

**Advanet Inc.**

www.advantec.co.jp

Note: The following specifications and product appearance are subject to change for enhancement without notice.



**ISO9001**

Certification: No.4016-1995-AQ-KOB-RvA



**ISO14001**

Certification: No. EMSC-1426

Headquarters 616-4, Tanaka, Okayama 700-0951 JAPAN  
TEL +81-86-245-2861 FAX +81-86-245-2860

Tokyo Branch 3F, Hayakawa No.3 Building, 2-2Kanda-Tacho, Chiyoda-ku, Tokyo 101-0046 JAPAN  
TEL +81-3-5294-1731 FAX +81-3-5294-1734