

COM-842E



COM Express

Intel® Core™ 2 Duo L7500 COM Express Basic Type 2 CPU Module



Features

- Soldered Onboard Intel® Core™ 2 Duo L7500 Processor
- Support Memory Capacity up to 4GB
- Integrated Gigabit Ethernet
- Dual Channels 24-bit LVDS, and Analog RGB
- **Wide Range Operating Temp.: -40 ~ 85°C**

System

CPU	Soldered onboard Intel® Core™2 Duo L7500 1.6GHz processor with 800MHz FSB
Memory	2 x 200-pin DDR2 SO-DIMM Sockets, supporting 533/667MHz SDRAM up to 4GB
Chipset	Intel® GME965 + ICH8M
BIOS	AMI PnP Flash BIOS
Watchdog Timer	1~255 levels reset

I/O

USB Port	8 x USB 2.0 ports
Digital I/O	8-bit programmable Digital Input/Output
	5 x PCIe x1 lanes
Expansion Bus	1 x PCIe x16 lanes (for graphics only)
	4 x PCI masters
Storage	1 x Ultra ATA, supporting 2 IDE devices
	3 x Serial ATA ports with 300MB/s HDD transfer rate
Ethernet Chipset	1 x Realtek RTL8111 PCIe Gigabit Ethernet controller
Audio	HD Audio link

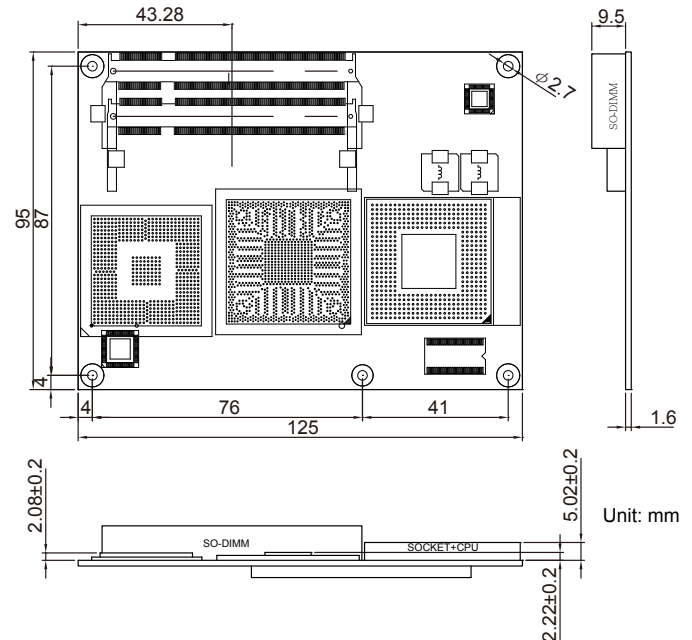
Display

Graphics Chipset	Integrated Intel® Graphics Media Accelerator X3100
	Analog RGB supports up to 2048 x 1536 @60Hz
Graphics Interface	TV-out: supports NTSC/PAL up to HDTV 1080P
	LCD: Dual channels 24-bit LVDS

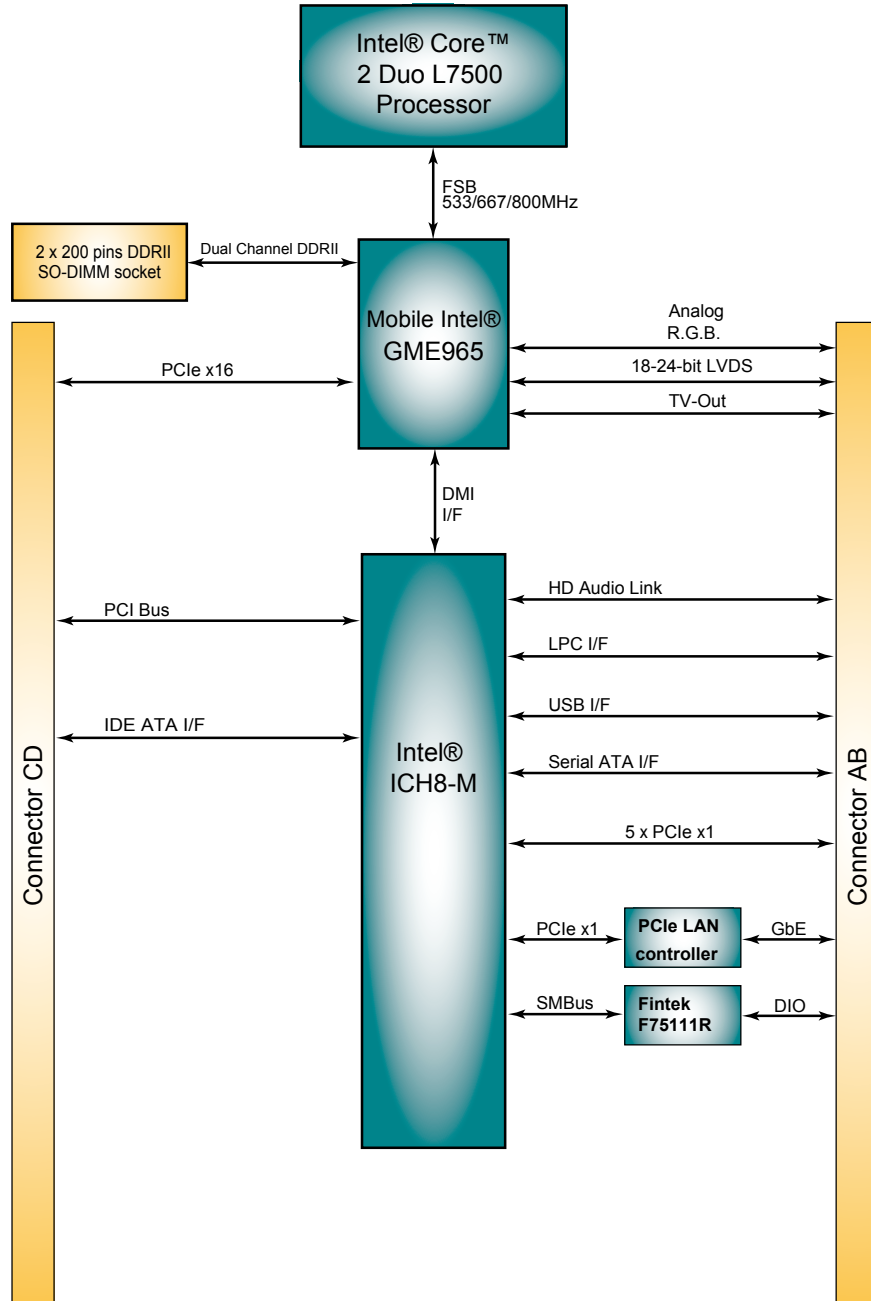
Mechanical & Environmental

Power Requirement	+12V, 5VSB
Power Consumption	2.99A@+12V (Typical)
Operating Temp.	-40 ~ 85°C (-40 ~ 185°F)
Operating Humidity	0 ~ 90% (non-condensing)
Dimension (L x W)	125 x 95 mm (4.9" x 3.7")

Dimensions



Block Diagram



Ordering Information

COM-842E/L7500	Intel® Core™ 2 Duo L7500 1.6GHz COM Express CPU module	
HS-0842-F1	Heat spreader (114 x 95 x 20.8 mm)	
PBE-1700-W R1.3	COM Express type 2 evaluation board in ATX form factor w/ W83627 Super IO	See Appendix
CBK-04-1700-00	Cable kit 1 x SATA cable 1 x COM port cable 1 x FDD cable 1 x IDE cable	