



Agency Approvals:

Class I, Division 1, Groups C & D/ T6 Ta = 60 Deg C
Class I, Division 2, Groups A, B, C & D/ T4 Ta = 60 Deg C
Class II, Division 1, Groups E, F & G/ T6 Ta = 60 Deg C

Type 4, 4X Enclosures

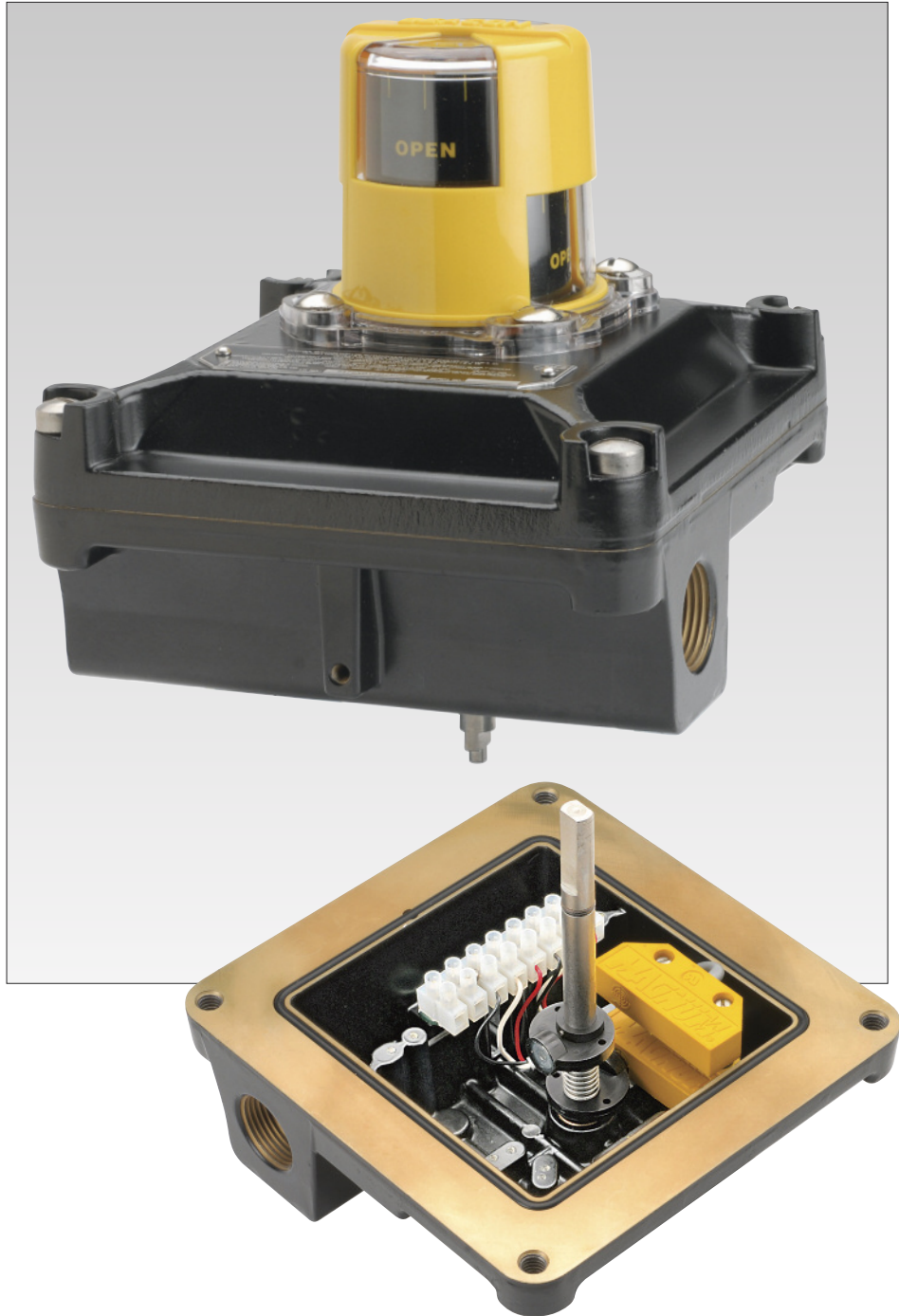
Product Overview

AccuTrak™ Rotary Position Monitors with Magnum (hermetically sealed proximity type) switches or MagPAC bifurcated switch pac.

9479 – Aluminum Enclosure with powder coat finish

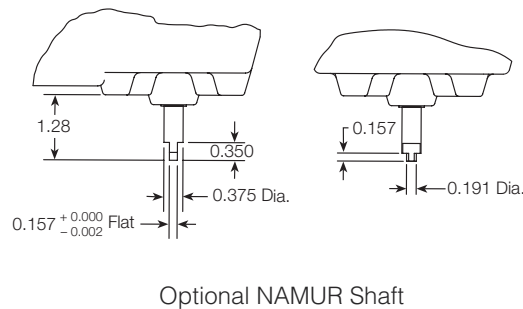
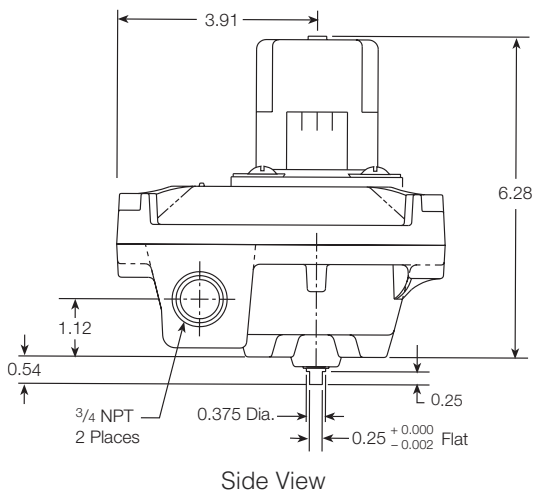
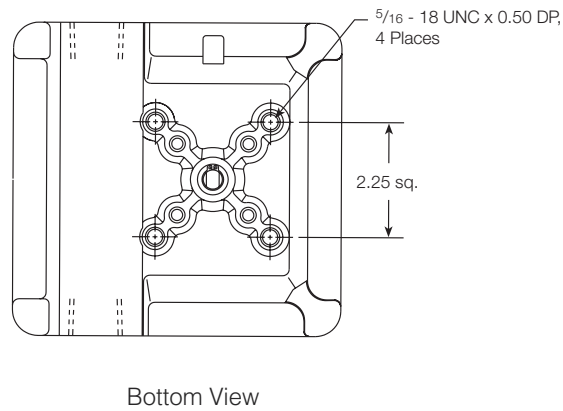
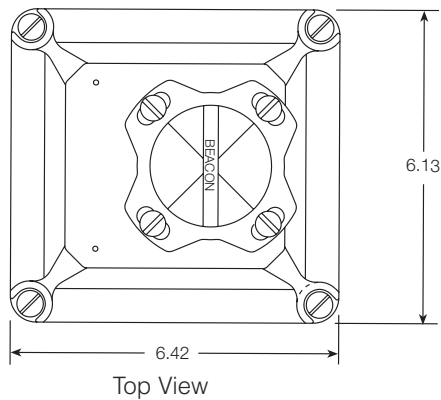
Features and Benefits

- DT Transmitter Options:
 - Reference accuracy is three times that of traditional potentiometric analog sensors.
 - Non-contact means of position sensing helps yield higher accuracy over the life of the product.
- The MagPAC is designed for low power and non-resistive loads. The wiping and snap actions of the switch prevent oxide build up and contact welding.
- Magnum limit switches with Rhodium contacts recommended for use with low power I/O's for longer contact life.
- The Westlock™ Beacon is manufactured from a high impact strength and corrosion resistant co-polyester that offers 360 degree instant visual recognition of valve position from up to 150 feet away.
- Touch set cams are hand adjustable, spring loaded and self-locking providing quick calibration of position sensors.
- Terminal strips are pre-wired and numbered with generous working space for ease of use.
- All units are standard with an additional conduit for easy field wiring and mounting accessories.
- All AccuTrak™ and Quantum products utilize a standardized mounting pattern for easy adaptation to common bracketry.
- Low copper content aluminum enclosures (0.2% maximum copper content) ensure robust performance in corrosive environments.
- Captive screws on cover prevent lost screws during installation and maintenance.



Westlock is either a trademark or registered trademark of Tyco International Services AG or its affiliates in the United States and/or other countries. All other brand names, product names, or trademarks belong to their respective holders.

Dimensions



Technical Specifications

Materials of Construction

- Enclosure: Aluminum with polyester powder coat
- Shaft and hardware: Stainless steel
- Bushing: Oil impregnated bronze
- Beacon visual indicator: Co-polyester

Options

- 4-20 mA position transmitter
- DT transmitter with absolute encoder

For transmitter specifications see reference section

Available Switches

- Magnum, SPDT hermetically sealed switches, with Tungsten contacts
- Magnum, SPDT hermetically sealed switches, with Rhodium contacts
- MagPAC switchpac, SPST normally open with LED indication

For switch electrical ratings see reference section

Important Application Notes: For very low power sensing applications, Power \leq 240 mW (24 VDC @10 mA for example) Magnum sensors with Rhodium contacts, M12 (SPDT), MUST be used.

Magnum and Sensors Only PLC input modules utilize capacitors to filter out electrical noise. Newer, more sensitive designs have higher input impedances and lower operating currents and thus require higher values of capacitance for filtration.

If the DI card Capacitance \geq 0.01 μ F a resistor of appropriate size MUST be used in series with the switch contacts to prevent the capacitive discharge from damaging the switch contacts. As an alternative, specify the MagPAC. Please contact your sales representative for resistor sizing, capacitance measurement procedure and other required information.

Ordering Guide (Quick ship options are in bold)

Base Model

9479 **Aluminum Enclosure**

Shaft Output

- S Standard (Double-D with 1/4" Flats)
- N NAMUR**
- D Direct Mount (Modmount system included for Keystone MRP and 79U actuators)

Beacon

- BY BM2-Y (Standard)**
- RG BM2-RG
- FE BM2-Y-FE (French/English)
- AB BM2-B
- AR BM2-R
- B1 BM3-1
- B3 BM3-3
- B5 BM3-5
- B7 BM3-7
- B9 BM3-9
- FC Flat Cover

Conduit

- 2B Two 3/4" NPT (F)**
- 4B Four 3/4" NPT (F)
- 2E One 3/4" NPT (F) and One 1/2" NPT (M) Eliminator Fitting*
- 4E Three 3/4" NPT (F) and One 1/2" NPT (M) Eliminator Fitting* (16 pt. TS standard)
- 4F Two 3/4" NPT (F) and Two 1/2" NPT (M) Eliminator Fitting* (16 pt. TS standard)

Position Switches

- 2M06 Two SPDT Magnum Switches - 8 pt. TS**
- 2M12 Two SPDT Magnum Switches with Rhodium Contacts - 8 pt. TS**
- 2M13 MagPAC Module (SPST Bifurcated switches with LEDs)
- 4M06 Four SPDT Magnum Switches - 16 pt. TS
- 4M12 Four SPDT Magnum Switches with Rhodium contacts - 16 pt. TS
- 6M06 Six SPDT Magnum Switches - 24 pt. TS
- 6M12 Six SPDT Magnum Switches with Rhodium contacts - 24 pt. TS

Analog Position Transmitter

- 00 None**
- CS 4-20 mA Transmitter - 12 pt. TS w/2M06 and 2M12, 16 pt. TS w/4M06 and 4M12 (not available w/6M06 and 6M12)
- DT 4-20 mA Transmitter, Absolute Encoder with 2M06 and 2M12 (10 pt. TS) only

9479 N BY 2B 2M12 00 = Model Number **9479NBY2B2M1200**

* Eliminator Fitting is 1/2" NPT (M) for the purpose of mounting an after market solenoid valve.

Position switch application note:

For 120 VAC service, M13 (MagPAC) is recommended.
For 24 VDC service below 1 watt, M12 (Rhodium Magnum switches) or M13 (MagPAC) is recommended.
For 24 VDC service above 1 watt, M06 (Tungsten Magnum switches) or M13 (MagPAC) is recommended.

USA/Canada: Saddle Brook, NJ
Ph: 201-794-7650
Dedicated Order Fax: 201-794-4790
General Fax: 201-794-0913
www.westlockcontrols.com

Europe/Asia: Kent, England
Ph: + 44 189 251 6277
Fax: + 44 189 251 6279
www.westlockuk.com

South America: Barueri, Sao Paulo
Ph: + 55 11 2588 1400
Fax: + 55 11 2588 1410
www.westlock.com.br

Tyco Flow Control (TFC) provides the information herein in good faith but makes no representation as to its comprehensiveness or accuracy. This data sheet is intended only as a guide to TFC products and services. Individuals using this data sheet must exercise their independent judgment in evaluating product selection and determining product appropriateness for their particular purpose and system requirements. TFC MAKES NO REPRESENTATIONS OR WARRANTIES, EITHER EXPRESS OR IMPLIED, INCLUDING WITHOUT LIMITATION ANY WARRANTIES OF MERCHANTABILITY OR FITNESS FOR A PARTICULAR PURPOSE WITH RESPECT TO THE INFORMATION SET FORTH HEREIN OR THE PRODUCT(S) TO WHICH THE INFORMATION REFERS. ACCORDINGLY, TFC WILL NOT BE RESPONSIBLE FOR DAMAGES (OF ANY KIND OR NATURE, INCLUDING INCIDENTAL, DIRECT, INDIRECT, OR CONSEQUENTIAL DAMAGES) RESULTING FROM THE USE OF OR RELIANCE UPON THIS INFORMATION. Patents and Patents Pending in the U.S. and foreign countries. Tyco reserves the right to change product designs and specifications without notice. All registered trademarks are the property of their respective owners. Printed in the USA.