

IPC-6606

6-slot Desktop/Wallmount Chassis with PS/2 Power Supply



Features

- Cost-effective wallmount/desktop IPC chassis
- Equipped with a 6-slot ISA/PCI backplane to hold six full-length cards
- One front access half-height disk drive and one 3.5" FDD, plus one internal 3.5" HDD
- One 49-CFM cooling fan with air filter
- With 300/250 W ATX power supply options

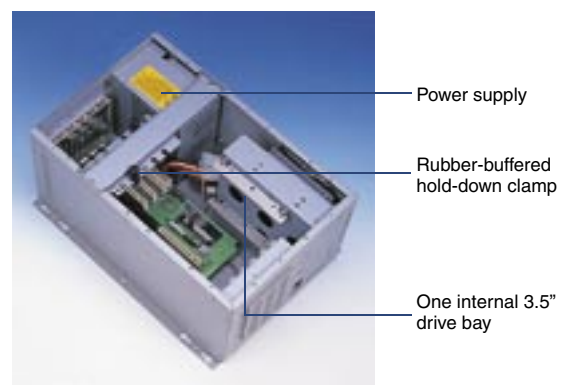


Introduction

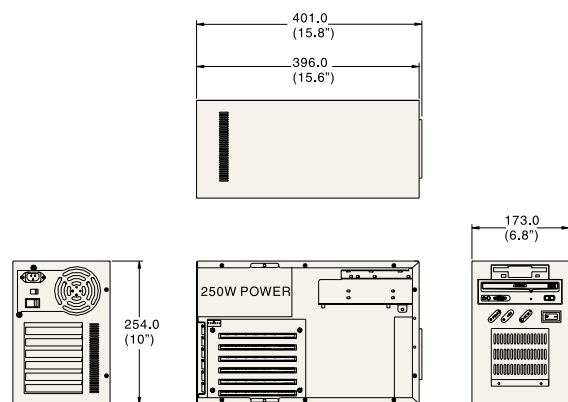
Specially designed for factory floor and other harsh industrial environments, IPC-6606 wallmount IPC chassis is ideal for system integrators or users who require a compact, rugged PC/AT compatible system. IPC-6606 features a 6-slot passive backplane and a 200 watt power supply. The chassis is only 6.8" wide and can easily be mounted bi-directionally on panels or walls with the supplied brackets.

Specifications

Drive Bay	3.5"	Front-accessible	1	Internal	1
	5.25"		1		
Cooling	Fan		1 (49 CFM)		
	Air Filter		Yes		
Miscellaneous	Control	Front panel reset switch, rear panel power supply			
	Indicator	LEDs for power On/Off and HDD activity			
Environment	Temperature	0 ~ 50 °C (32 ~ 122 °F), operating			
	Humidity	10 ~ 95 % @ 40 °C, non-condensing			
Physical	Dimensions (W x H x D)	173 x 254 x 396 mm (6.8" x 10" x 15.6")			
	Weight	6.2 Kg (13.7 lb)			

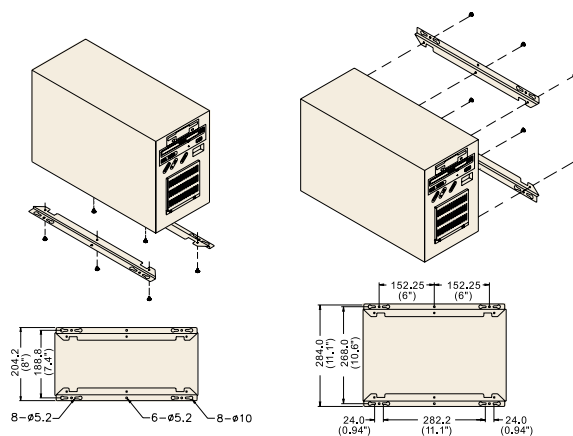


Dimension Diagram



Unit: mm (inch)

Installation



Bi-directional mounting

Unit: mm (inch)

Power Supply Options

Part Number	Watt	Input	Output	Specifications		
				Mini-load	Safety	MTBF
PS-250ATX-Z (ATX, PFC)	250 W	AC 95 ~ 132 V AC 190 ~ 264 V (Selectable)	+5 V @ 27 A +3.3 V @ 20 A +12 V @ 13 A -12 V @ 0.8 A -5 V @ 0.3 A +5 Vsb @ 2 A	+5 V @ 0.5 A +12 V @ 0.3 A	UL/cUL (60950 3rd) CE (EN61000-3-2 Class D) TUV/FCC/CSA/Nemko CB/CCC	100,000 hours @ 25 °C full load
PS-300ATX-ZB (ATX PFC)	300 W	AC90-264 V (Full-range)	+5 V @ 30 A +3.3 V @ 28 A +12 V @ 15 A -12 V @ 0.8 A -5 V @ 0.3 A +5 Vsb @ 2 A	+5 V @ 0.1 A +3.3 V @ 0.3 A	UL/cUL (60950 3rd) CE (EN61000-3-2 Class D) TUV/FCC/CSA/Nemko CB/CCC	100,000 hours @ 25 °C

Passive Backplane Options

Part Number	Slot	Segment
PCA-6106-B	6 ISA	Single
PCA-6106P3-0C1	2 ISA, 2 PCI, 1 PICMG/PCI, 1 PICMG	Single
PCA-6106P4-0A1	4 PCI, 2 PICMG	Single
PCA-6105P5-0B1	5 PCI	Single

Ordering Information

Part Number	With Power Supply	With Backplane	Regulation
IPC-6606BP-00P	Without power supply, with AT switch	--	None
IPC-6606BP-00X	Without power supply, with ATX switch	--	None
IPC-6606BP-25Z	PS-250ATX-Z (System with AT switch)	--	UL, cUL, CE
IPC-6606-25Z	PS-250ATX-Z (System with AT switch)	PCA-6106-B	UL, cUL, CE
IPC-6606P3-25Z	PS-250ATX-Z (System with AT switch)	PCA-6106P3-0C1	UL, cUL, CE
IPC-6606-30Z	PS-300ATX-ZB	PCA-6106-B	UL, cUL, CE
IPC-6606BP-30Z	PS-300ATX-ZB	--	UL, cUL, CE
IPC-6606P3-30Z	PS-300ATX-ZB	PCA-6106P3-0C1	UL, cUL, CE